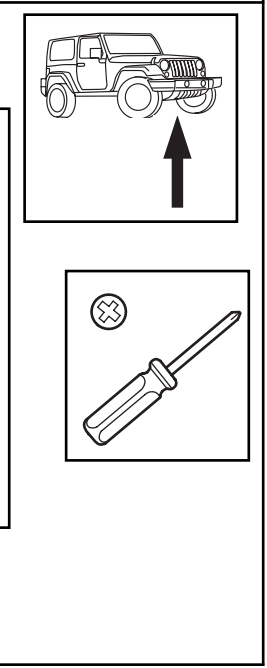
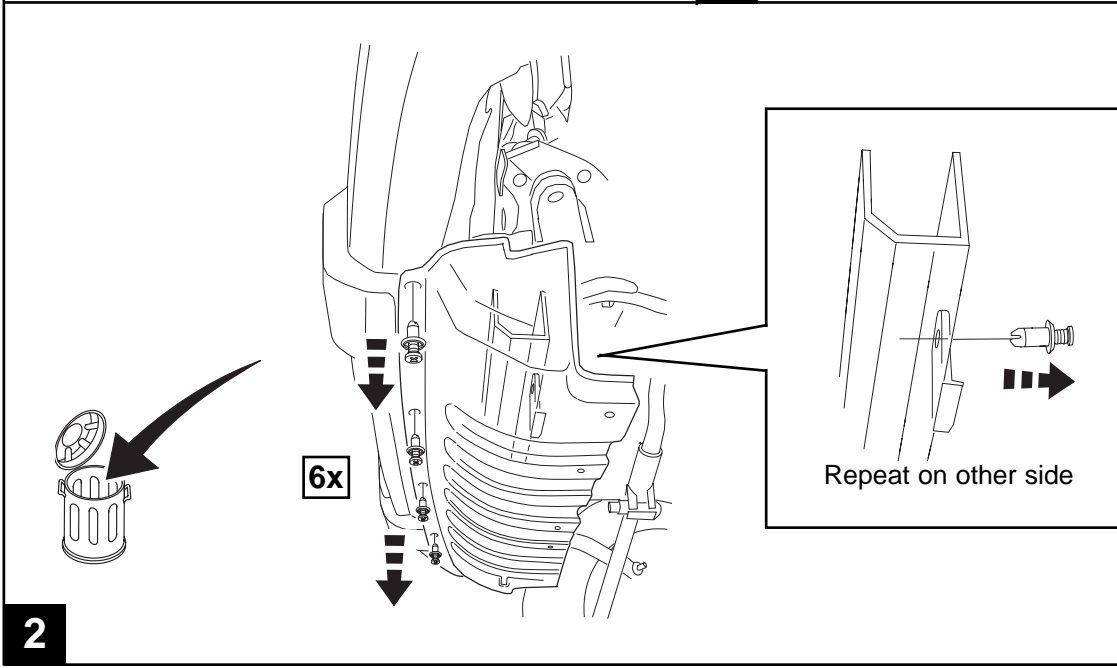
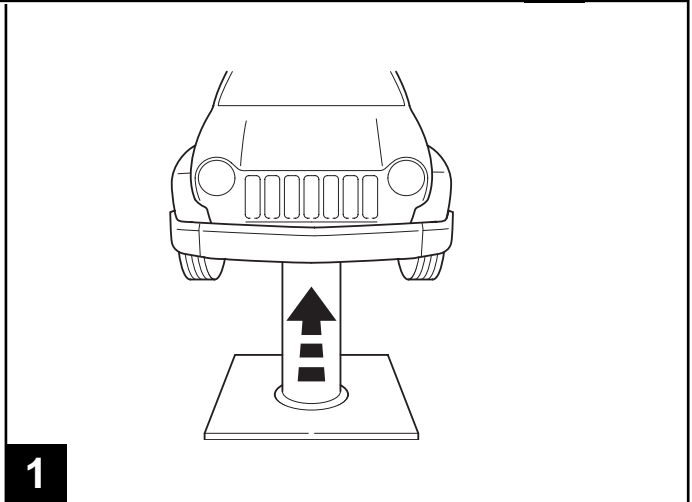
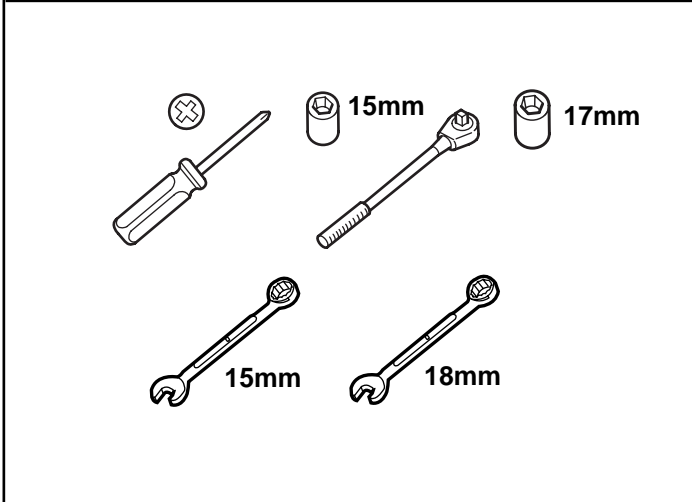
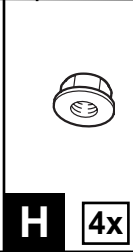
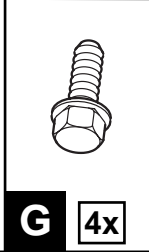
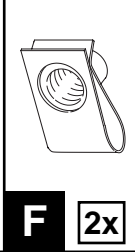
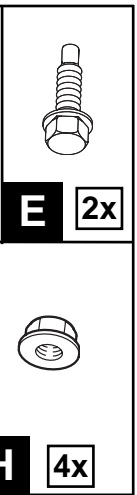
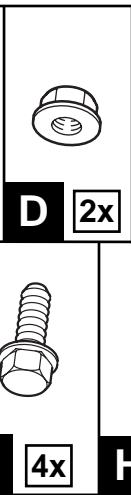
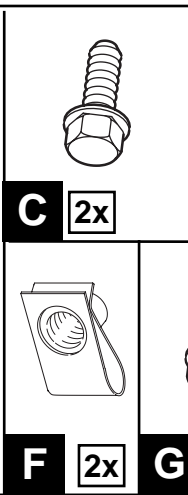
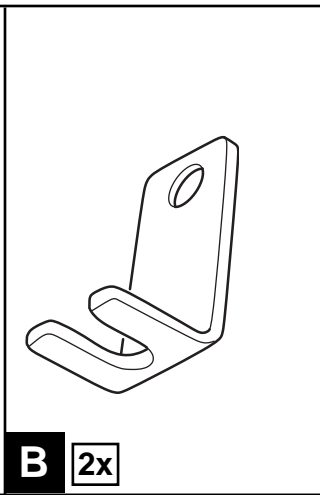
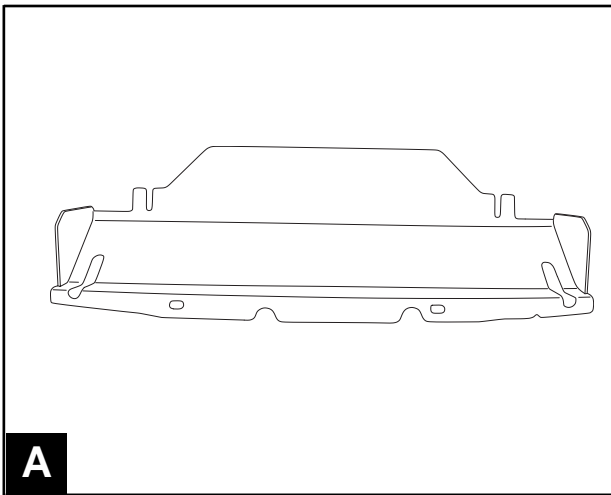




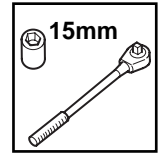
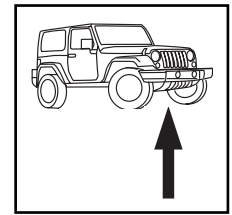
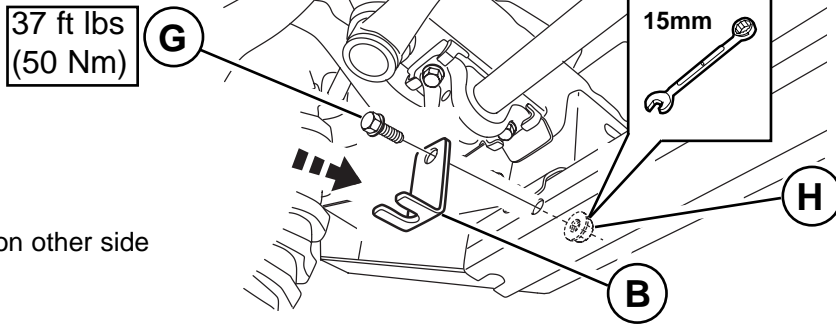
Jeep Wrangler

Skid Plate



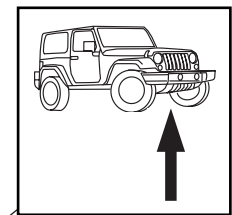
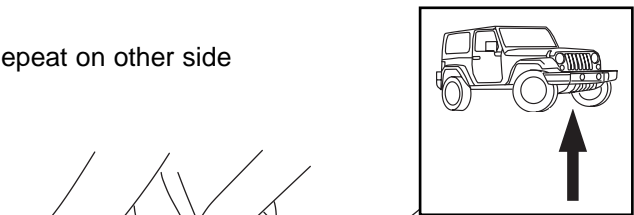
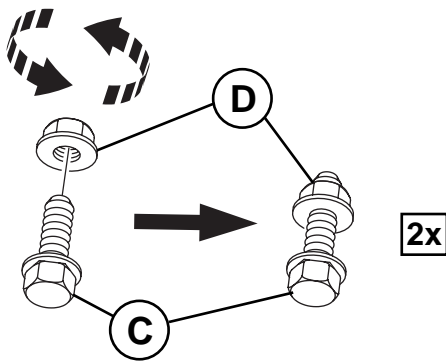
37 ft lbs
(50 Nm)

Repeat on other side



3

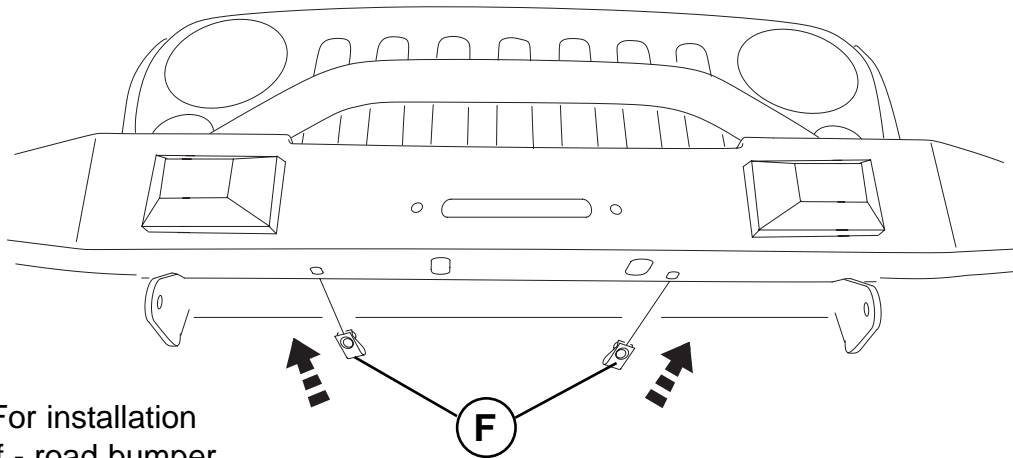
Repeat on other side



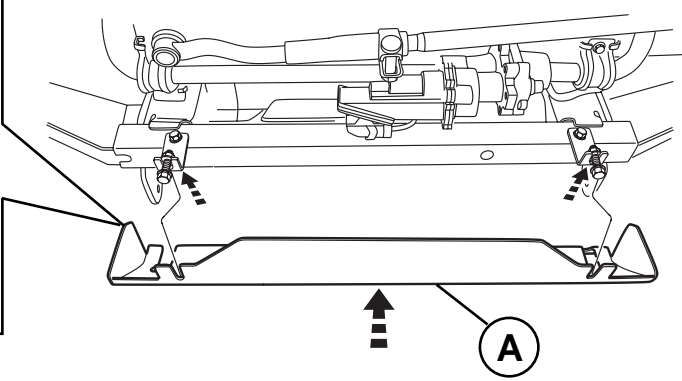
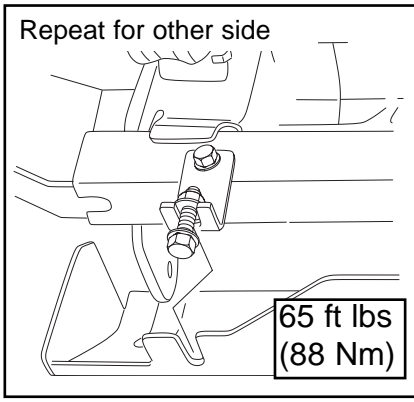
4

5

Note: For installation
with off - road bumper



6

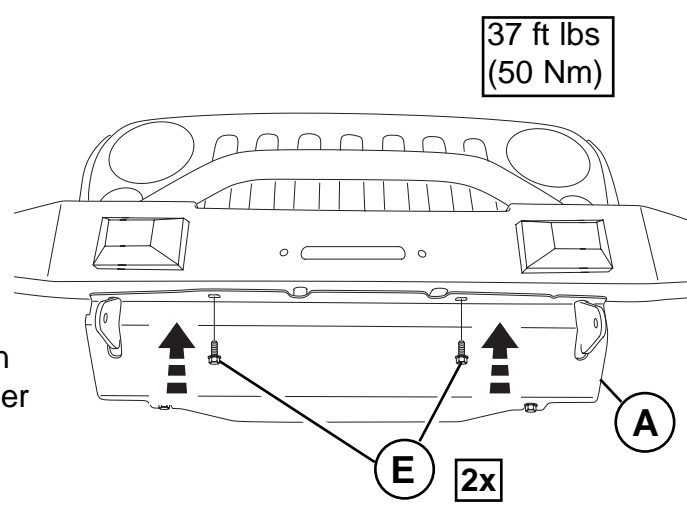


17mm

18mm

7

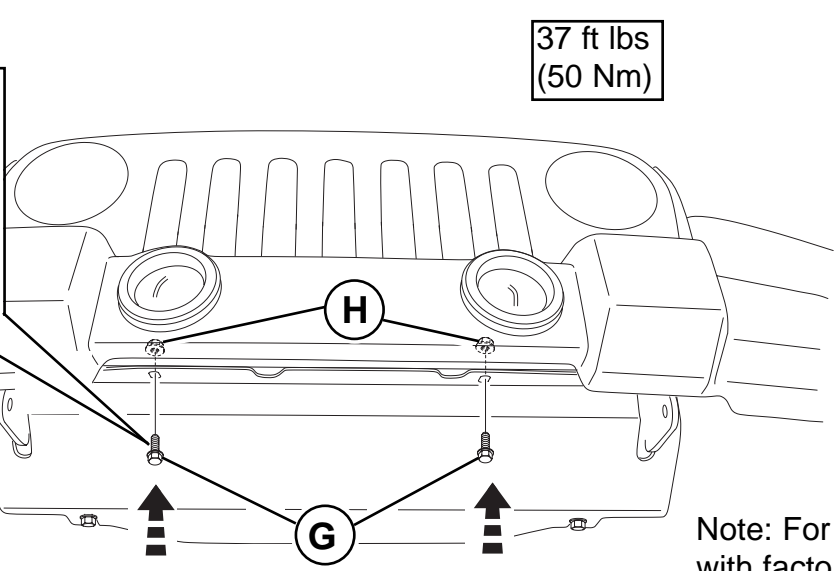
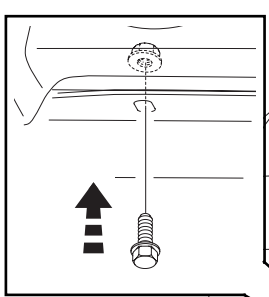
Note: For installation with off - road bumper



37 ft lbs
(50 Nm)

15mm

8



37 ft lbs
(50 Nm)

15mm

Note: For installation with factory bumper

9