

# CS<sup>PRO</sup>

## VINTAGE SERIES BULBS

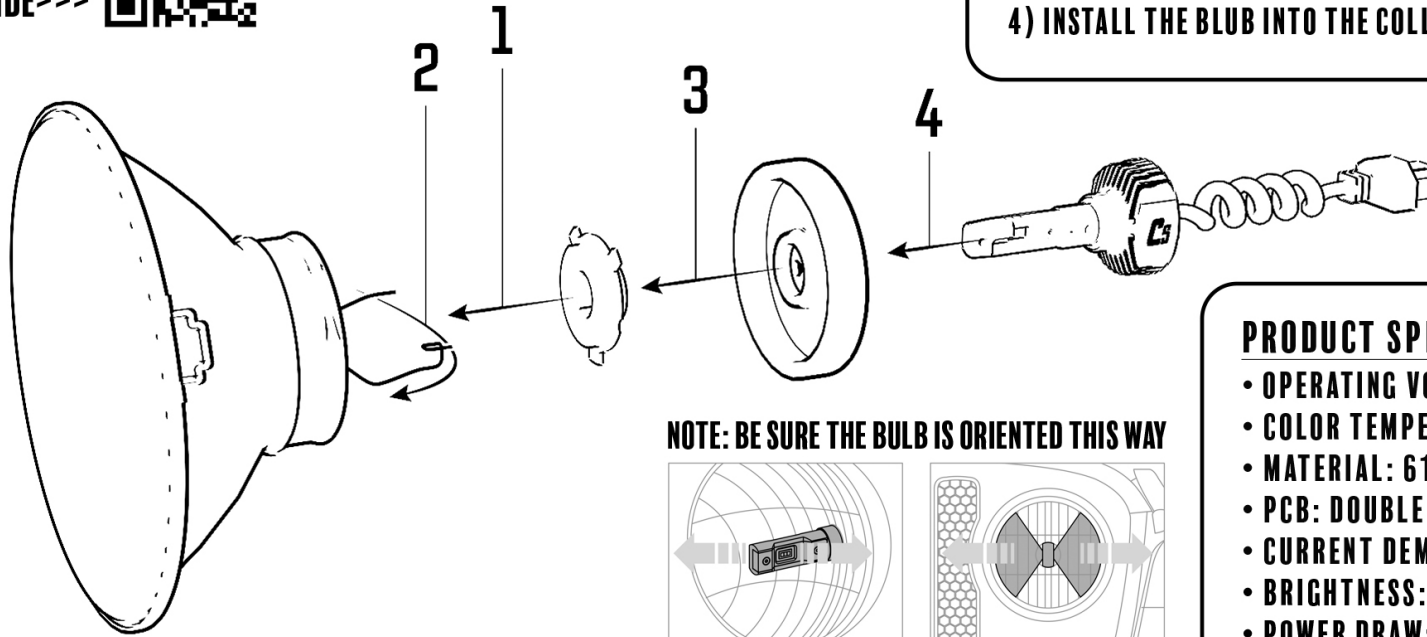
# ORACLE LIGHTING

SCAN FOR  
DIY VIDEO  
GUIDE >>>



### INSTALLATION GUIDE (FOR GLASS SEALED BEAM)

- 1) REMOVE COVER FROM LIGHT AND COLLAR FROM BULB
- 2) UNCLIP THE METAL RETAINER AND INSTALL BULB COLLAR
- 3) RECLIP THE RETAINER AND INSTALL RUBBER COVER
- 4) INSTALL THE BULB INTO THE COLLAR AND TWIST TO LOCK



NOTE: BE SURE THE BULB IS ORIENTED THIS WAY

### PRODUCT SPECIFICATIONS

- OPERATING VOLTAGE: 12V/24V
- COLOR TEMPERATURE: 3000K
- MATERIAL: 6160 ALUMINUM
- PCB: DOUBLE LAYER COPPER
- CURRENT DEMAND: 1.5 AMP
- BRIGHTNESS: 4,680 LUMENS
- POWER DRAW: 18W / BULB
- LUMINOUS EFFICACY: 130LM/W
- WARRANTY: 3 YEAR LIMITED

FOR MORE INFORMATION VISIT [www.ORACLELIGHTS.COM](http://www.ORACLELIGHTS.COM)

© All Rights Reserved. Copyright 2025 ORACLE Lighting Technologies LLC.