



# Flush Mount Block LED Lamp Installation Instructions

Congratulations on your purchase of a high quality PUTCO product. Should you need any application or technical assistance feel free to call us at: 1-800-357-9261  
Monday-Friday 8:00 a.m. - 5:00 p.m. (Central Standard Time)  
Contact your PUTCO dealer for other quality accessories.

**Please read all instructions before installation and to check to see that all parts are included.**

KIT CONTENTS:	
Description	Qty.
Flush Mount Block LED Lamp	1
Wiring Harness	1
Illuminated Switch	1

## Tools Needed:

- 3/8" wrench
- 3/16", 3/4" Drill Bit
- 5/32" Hex Wrench
- Drill, File, Dremel or Saw

10002 - 6" LED Flush Mount,  
10011 - 10" LED Flush Mount,  
10021 - 20" LED Flush Mount

#10-24 X 1" SS Hex Head Bolt	2
#10-24 Lock Nut	2
Black #10 Steel Washer	2

10003 - 6 LED Flush Mount Block Light,  
10005 - 5" Round Flush Mount Light

#10-24 X 1" SS Hex Head Bolt	4
#10-24 Lock Nut	4
Black #10 Steel Washer	4

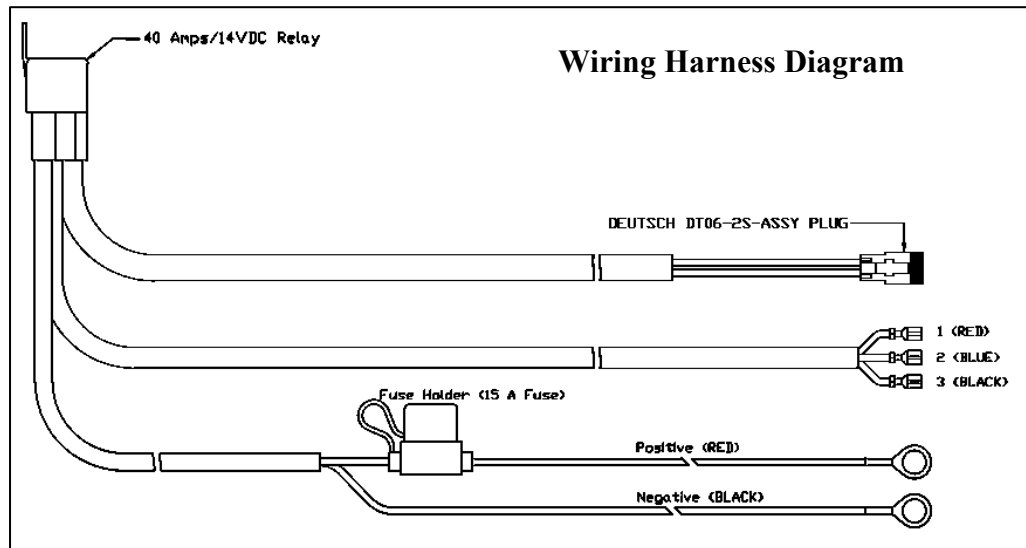
## Block LED Lamp Installation

1. Remove light bar from packaging. Check to see if all parts from above table are included.
2. Place template that matches purchased light (located on last page of instructions, only one template will be use) **(20" flush mount template not supplied)** in location desired. **(Recommend not mounting to material more the 1/2" thick)**
3. Cut out center of template with saw or Dremel. **(Before cutting verify there are not obstructions on opposite side of mounting location)**
4. Drill 3/16" holes in locations marked on template.
5. After hole is drilled, mount the flush mount block LED light through hole cut in **Step 2**. Bolt on Light by placing bolts through holes and insert washers and lock nuts on all the bolts. Tighten with 3/8" wrench and 5/32" hex wrench.

### LIMITED 2 YEAR WARRANTY

Putco guarantees it's Stainless Steel and Aluminum products against defects in workmanship and material for as long as you own your vehicle. All painted products have a 90 day warranty on the painted surface. Any defects resulting from faulty material or workmanship will be warranted by Putco and repaired or replaced at our discretion. Putco assumes no extra labor costs. Damages caused by freight carriers, improper installation, misuse, collision, or neglect will not be warranted by Putco.
--

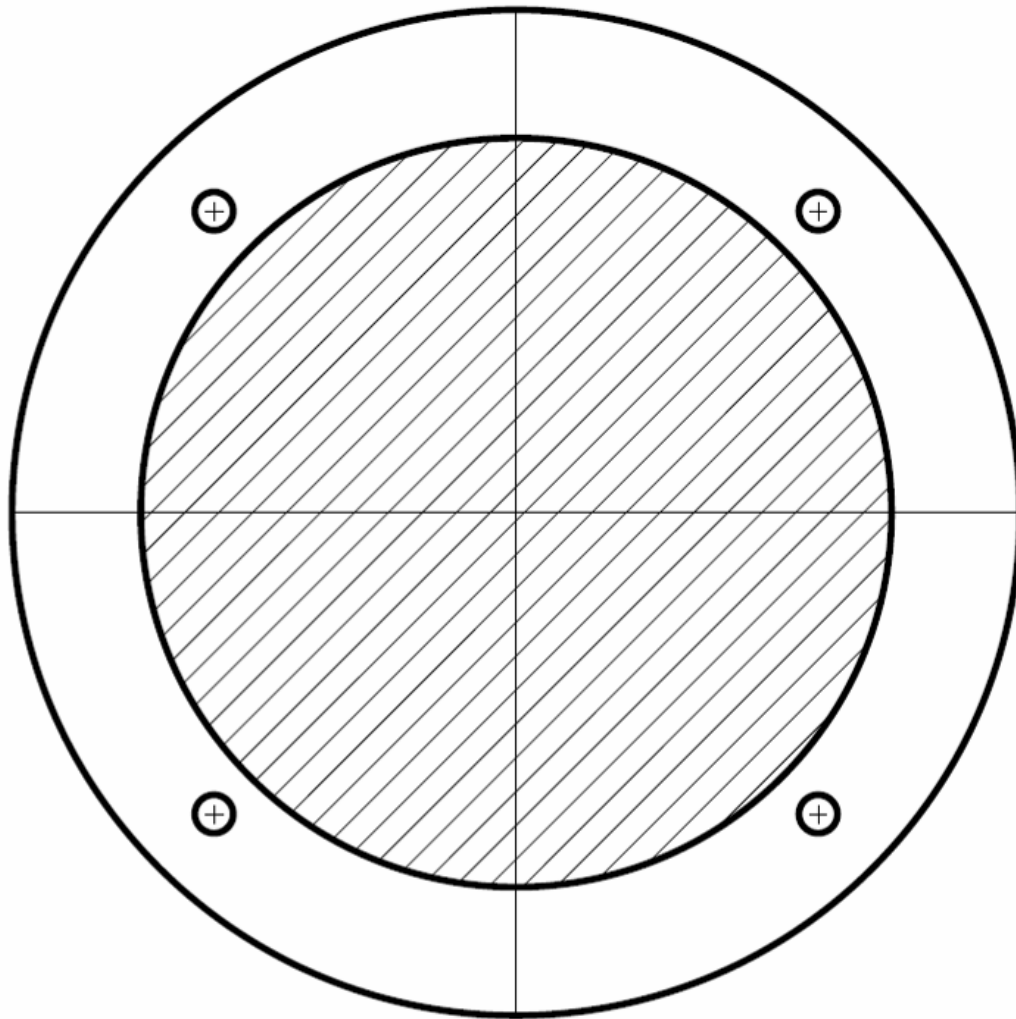
## Wiring Installation



1. Remove wiring harness and switch from kit.
2. Route wiring harness so that the red and black power cables are routed to the battery, the three switch wires are routed to your desired switch location, and the Deutsch plug is routed to the light bar. Keep wiring away from anything that will get hot.
3. Mount relay with desired hardware in a position under hood or in cab that is limited to water exposure.
4. Plug male (on the wiring harness) and female (on light bar) Deutsch plug connectors together.
5. Drill  $\frac{3}{4}$ " hole in desired switch mounting location. Verify there will be enough clearance behind switch to plug in the wires. Notch a small slit in the side of the hole using a file. This will keep the switch from turning.
6. Press switch into hole; verify that the notch made in step 5 lines up with the notch on the switch.
7. Plug wires into switch. Prongs on switch will be marked 1 through 3. **Red** wire goes to **prong 1**, **Blue** wire goes to **Prong 2**, and the **Black** wire goes to **prong 3** (gold prong).
8. Attach power cable to the battery. **Red** goes to **positive** and **black** goes to **negative**.

### LIMITED 2 YEAR WARRANTY

Putco guarantees its Stainless Steel and Aluminum products against defects in workmanship and material for as long as you own your vehicle. All painted products have a 90 day warranty on the painted surface. Any defects resulting from faulty material or workmanship will be warranted by Putco and repaired or replaced at our discretion. Putco assumes no extra labor costs. Damages caused by freight carriers, improper installation, misuse, collision, or neglect will not be warranted by Putco.



## 10005 - 5" Round Flush Mount Light

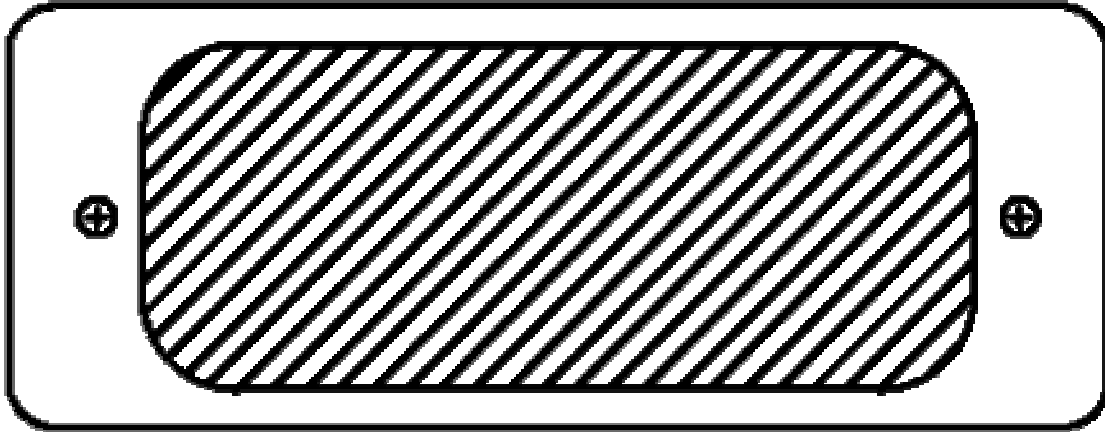


**Area To Be Removed**

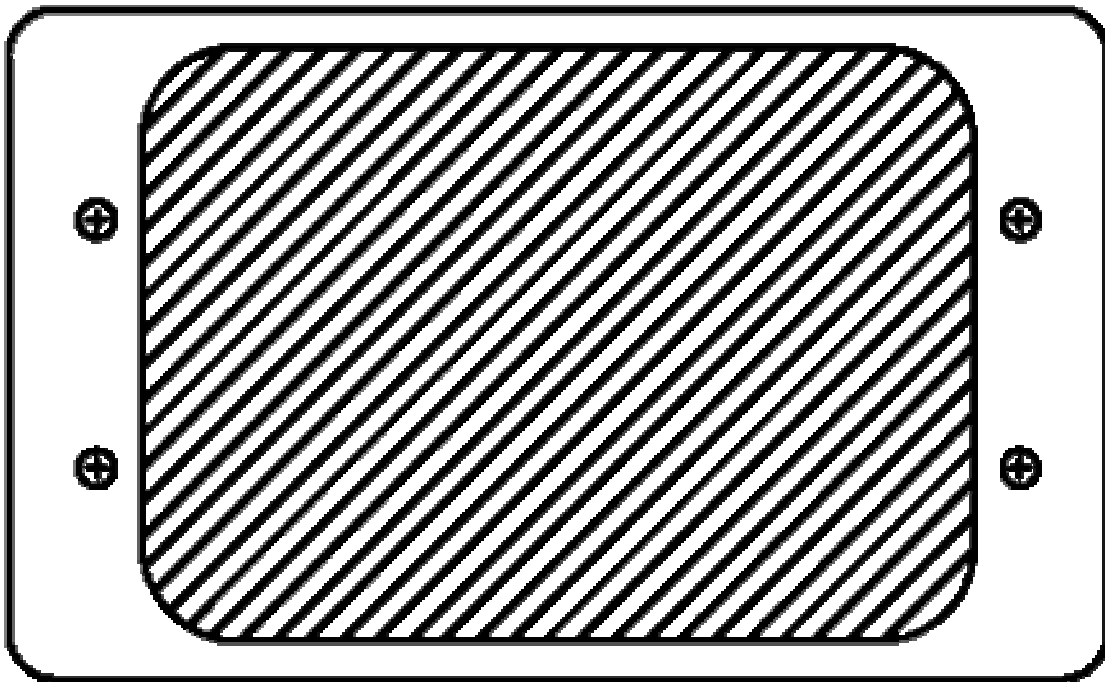
*LIMITED 2 YEAR WARRANTY*

Putco guarantees its Stainless Steel and Aluminum products against defects in workmanship and material for as long as you own your vehicle. All painted products have a 90 day warranty on the painted surface. Any defects resulting from faulty material or workmanship will be warranted by Putco and repaired or replaced at our discretion. Putco assumes no extra labor costs. Damages caused by freight carriers, improper installation, misuse, collision, or neglect will not be warranted by Putco.

## 10002 - 3 Light LED Flush Mounted Light



## 10003 - 6 Light LED Flush Mounted Light



Area To Be Removed

### LIMITED 2 YEAR WARRANTY

Putco guarantees its Stainless Steel and Aluminum products against defects in workmanship and material for as long as you own your vehicle. All painted products have a 90 day warranty on the painted surface. Any defects resulting from faulty material or workmanship will be warranted by Putco and repaired or replaced at our discretion. Putco assumes no extra labor costs. Damages caused by freight carriers, improper installation, misuse, collision, or neglect will not be warranted by Putco.

**PUTCO** INST-Flush

**10011 - 9 Light LED Flush Mounted Light**

