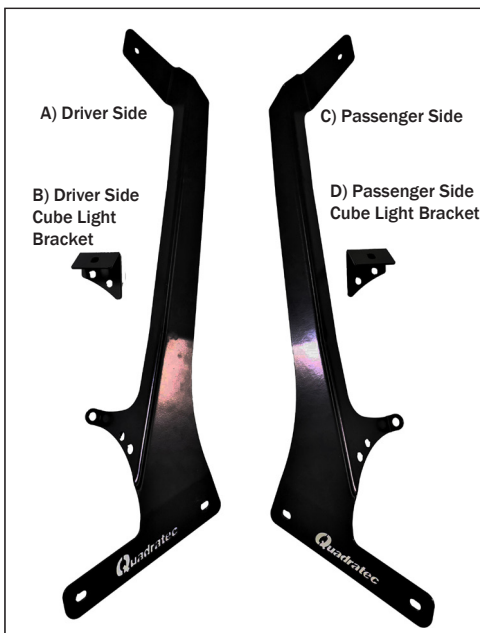


# JL/JT A-Pillar Light Bar Mounting Brackets

Installation Manual For '18 - Current Wrangler JL-JT Vehicles #12005.8125



## PARTS LIST:

A) Driver Side Bracket -	QTY 1
B) Driver Side Cube Light Bracket -	QTY 1
C) Passenger Side Bracket -	QTY 1
D) Passenger Side Cube Light Bracket -	QTY 1
E) Flat Head Hex Screw - M8x1.25x14.5 -	QTY 4
F) Acorn Nut - M8x1.25 -	QTY 4
G) M8 Lock Washer -	QTY 4
H) Spacer - 10mm ID, x 10mm Length -	QTY 4
I) M12 ABS Washer -	QTY 4
J) Hex Screw - M8x1.25x30mm -	QTY 4
K) Barrel Nut - M6x1 ID Thread, 14.5mm	QTY 2
L) 1/2" Plastic Sheet Metal Plug	QTY 4

## REQUIRED TOOLS:

Safety Glasses  
Torque Wrench  
T50 Torx Bit Socket & Ratchet Driver  
T40 Torx Bit Socket & Ratchet Driver  
5mm Hex Bit Socket & Ratchet Driver  
13mm Box Wrench  
3/8" Box Wrench



READ ALL SAFETY MESSAGES AND UNDERSTAND ALL INSTRUCTIONS BEFORE ATTEMPTING TO INSTALL THIS PRODUCT. ALWAYS WEAR SAFETY GLASSES DURING INSTALLATION.

**Quadratec**  
The Jeep Experts®

**A Few Words About Product Safety:**  
Your Hinge Mounted Light Brackets are designed to enhance the utility and enjoyment of your off road capable vehicle. Before installation, please take a moment to review the following safety

information and installation instructions. Important safety information is generally preceded by one of three signal words indicating the relative risk of injury, property damage or adverse consequence. The signal words mean:

**⚠ WARNING ⚠**

A hazardous situation which, if not avoided, could result in death or serious injury. You CAN be KILLED or SERIOUSLY HURT if you don't follow instructions.

**⚠ CAUTION ⚠**

A hazardous situation which, if not avoided, could result in minor or moderate injury. You CAN be moderately HURT and also may suffer property damage if you don't follow instructions.

**NOTICE**

Careful attention is required to this instruction or operation but does generally not relate to personal injury. Damage to your Quadratec® product or other property may result if you don't follow instructions.

**Before You Begin Installation:**  
Congratulations on your purchase of the Quadratec Hinge Mount Light Brackets for your Jeep® Wrangler.

to shipping. If any part is missing or broken, please call Customer Service at 800-745-6037 as soon as possible.

When unpacking, check to make sure parts are included and not damaged due

Thank you again for your purchase and let's start the installation process.

**⚠ CAUTION ⚠**

READ ALL SAFETY MESSAGES AND UNDERSTAND ALL INSTRUCTIONS BEFORE ATTEMPTING TO INSTALL THIS PRODUCT. ALWAYS WEAR SAFETY GLASSES DURING INSTALLATION.



**Quadratec®**  
The Jeep® Experts®

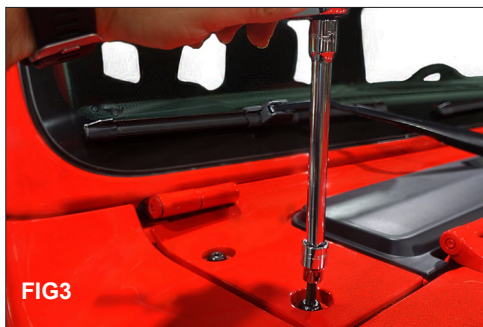
**Bracket Installation:**



*Put on safety glasses. (FIG 1) Using a 3/8" box wrench unscrew the antenna.*



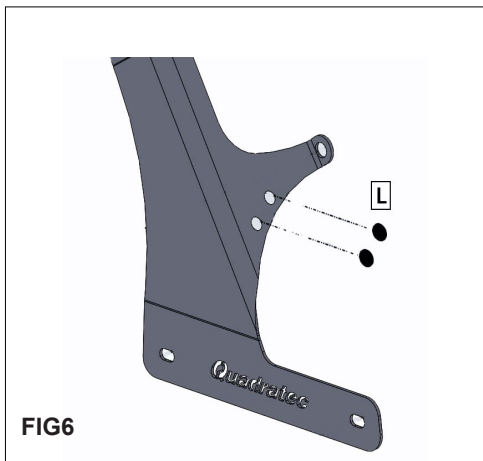
*(FIG2) Using a T50 Torx bit socket remove the windshield hinge screw.*



*(FIG3) Using a T40 Torx bit socket remove the 4 Cowl mounting screws and carefully remove the Cowl.*



*(FIG4) Run the wiring for the cube lights and light bar then re-install the Cowl. Using a T40 Torx bit socket loosely install the 2 top Cowl mounting screws. Repeat these steps for the driver side of the vehicle.*

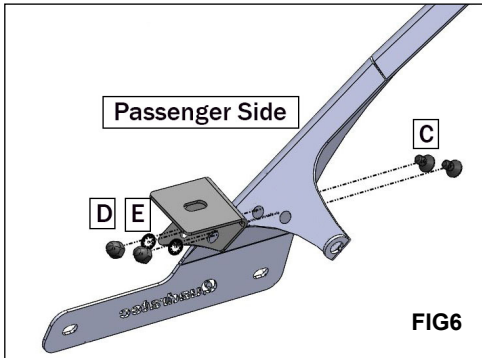


*(FIG6) **To delete Cube light brackets:** If you are not using the B),D) Cube light brackets Insert L) 1/2" Plastic Sheet Metal Plugs into the Cube light bracket mounting holes.*

**NOTICE**

**ALWAYS CHECK LIGHTING FUNCTIONS AFTER INSTALLATION. DO NOT DRIVE ON PUBLIC ROADS WITH COWL LIGHTS ON AS THIS IS ILLEGAL IN SOME STATES AND JURISDICTIONS.**

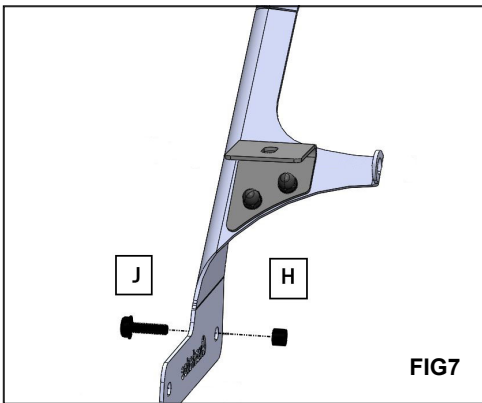
**Quadratec**  
The Jeep Experts®



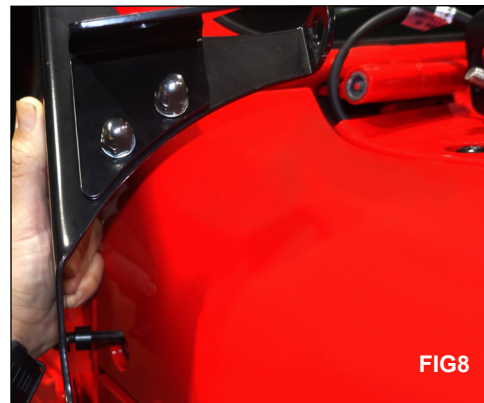
**(FIG6) Installing Cube lights with A-Pillar brackets**  
 With a 5mm hex bit driver and 13mm box wrench loosely assemble the Cube light bracket to the A-Pillar bracket Using a E), F), G) hardware.



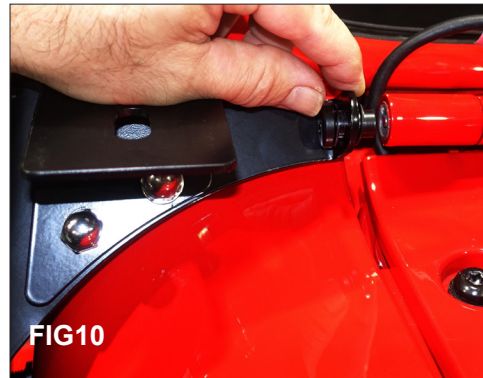
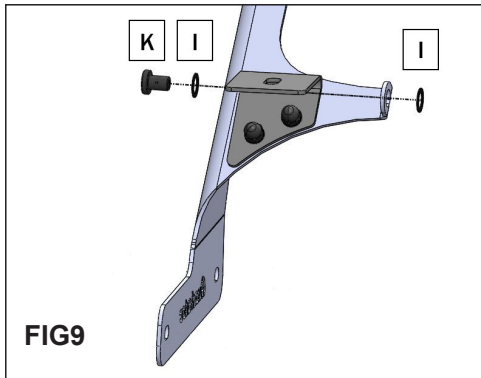
**(FIG7) Align the bracket and Tighten all hardware to 6ft-lbs.**  
 Repeat for Driver side bracket.



**(FIG7) To Install the A-Pillar bracket insert J) M8 hex screw through the rear mounting hole while placing the H) 10mm spacer on the other side of the bracket.**



**(FIG8) Using the T40 Torx bit socket loosely fasten the A-Pillar bracket to the cowl. Repeat the previous step for the front mount**



*(FIG9) Install one of the I) M12 ABS washers on the K) Barrel Nut. Insert the Barrel Nut into the mounting hole and install another I) M12 ABS washer on the other side of the hole. Using the T50 Torx bit socket, loosely thread the K) Barrel Nut into the windshield hinge. Adjust the A-Pillar bracket and tighten all hardware to 6ft-lbs (FIG11). Repeat for Driver side.*





# Quadratec® Exclusive Three Year Limited Warranty

Your Quadratec® branded accessories are covered by the following Limited Warranty provided exclusively by Quadratec, Inc., 1028 Saunders Lane, West Chester PA 19380.

This Limited Warranty is the only warranty made in connection with your purchase. Quadratec neither assumes nor authorizes any vendor, retailer or other person or entity to assume for it any other obligation or liability in connection with this product or Limited Warranty. This Limited Warranty does not apply and is not cumulative to any accessory or part distributed by Quadratec for which the Manufacturer provides a separate written warranty.

**What is Covered:** Subject to the terms, exclusions and limitations herein and with respect only to Quadratec branded accessories first sold in the United States, Quadratec warrants to the initial retail purchaser only that your Quadratec accessory shall be free of defects in material and workmanship: for a period of three (3) years from date of retail purchase.

This Limited Warranty is not assignable and shall terminate upon sale of the vehicle upon which the Quadratec accessory is installed or other transfer third persons.

All other warranties are hereby disclaimed, except to the extent prohibited by applicable law in which case any implied warranty of merchantability or fitness for a particular purpose on this product is limited to 3 year from date of initial retail sale. Quadratec reserves the rights to: (a.) require invoice or other proof your accessory is within the terms of this Limited Warranty as a condition of warranty service and, (b.) make future revisions to this product and Limited Warranty without prior notice or obligation to upgrade your product.

**What is Not Covered:**

Your Quadratec Limited Warranty does not cover products or parts Quadratec determines to have been damaged by or subjected to: (a.)

installation damage, alteration, modification, combination with other parts, failure to maintain or improper repair or service, (b.) normal wear & tear, cosmetic damage or damage from moisture or water immersion, (c.) Acts of God, accidents, misuse, negligence, inadequate mounting or impact with vehicle(s), obstacles or other aspects of the environment, (d.) theft, vandalism or other intentional damage.

**Remedy Limited to Repair/Replacement:**

The exclusive remedy provided hereunder shall, upon Quadratec inspection and at Quadratec's option, be either repair or replacement of product or parts (new or refurbished) covered under this Limited Warranty. Customers requesting warranty consideration should first contact Quadratec to obtain a RGA number (610-701-3336). All labor, removal, shipping and installation costs are customer's responsibility.

**Other Limitations - Exclusion of Damages - Your Rights Under State Law:**

In consideration of the purchase price paid, neither Quadratec nor any independent Quadratec distributor/licensee are responsible for any time loss, rental costs, or for any incidental, consequential, punitive or other damages you may have or incur in connection with any part or product purchased. Your exclusive remedy hereunder for covered parts is repair/replacement as described above.

This Limited Warranty gives you specific rights. You may also have other rights that vary from state to state. For example, some states do not allow limitations of how long an implied warranty lasts and /or do not allow the exclusion or limitation of incidental or consequential damages, so the limitations and exclusions herein may not apply to you.

©Quadratec, Inc. 2019. All Rights Reserved.

9.21.20 A4 Version

Part #12110.9050

**Quadratec®**  
The Jeep® Experts®