

Quadratec® Roof Rack

Installation Manual: for '07 - Current Wrangler JKU, JL, JLU & Gladiator JT #92034.1090



PARTS LIST:

| | |
|--------------------------------------|--------|
| End Panel | QTY 2 |
| Side Panel | QTY 2 |
| Floor Slat | QTY 3 |
| Wind Deflector | QTY 1 |
| M8 x 1.25 x 25 Hex Button Head Screw | QTY 28 |
| M8 x 24mm OD Flat Washer | QTY 44 |
| M8 Hex Nut | QTY 16 |
| M8 Lock Washer | QTY 28 |
| M6 x 1.00 x 20 Capture | |
| Washer Screw | QTY 8 |
| M6 x 18mm OD Flat Washer | QTY 8 |
| M6 Hex Nut | QTY 8 |

REQUIRED TOOLS:

Safety Glasses
Ratchet Handle Wrench
4mm & 5mm Allen Hex Key Wrenches
10mm Box End Wrench or Socket & Ratchet
13mm Box End or Ratcheting Wrench

CAUTION

READ ALL SAFETY MESSAGES AND UNDERSTAND ALL INSTRUCTIONS BEFORE ATTEMPTING TO INSTALL THIS PRODUCT. ALWAYS WEAR SAFETY GLASSES DURING INSTALL.

Quadratec
The Jeep® Experts

A Few Words About Product Safety:
Your Quadratec® Roof Rack Kit is intended to enhance the utility of your off road capable vehicle. Before installation, please review the following safety information and installation recommendations.

Throughout these instructions important safety information is generally preceded by one of three signal words indicating the relative risk of injury, property damage or adverse consequence. The signal words mean:

⚠ WARNING ⚠

A HAZARDOUS SITUATION WHICH, IF NOT AVOIDED, COULD RESULT IN DEATH OR SERIOUS INJURY. YOU CAN BE KILLED OR SERIOUSLY HURT IF YOU DON'T FOLLOW INSTRUCTIONS.

⚠ CAUTION ⚠

A HAZARDOUS SITUATION WHICH, IF NOT AVOIDED, COULD RESULT IN MINOR OR MODERATE INJURY. YOU CAN BE MODERATELY HURT AND ALSO MAY SUFFER PROPERTY DAMAGE IF YOU DON'T FOLLOW INSTRUCTIONS.

NOTICE

CAREFUL ATTENTION IS REQUIRED TO THIS INSTRUCTION OR OPERATION BUT DOES GENERALLY NOT RELATE TO PERSONAL INJURY. DAMAGE TO YOUR PRODUCT OR OTHER PROPERTY MAY RESULT IF YOU DON'T FOLLOW INSTRUCTIONS.

Before You Begin Installation:
Congratulations on your purchase of Quadratec® Roof Rack Kit for your Jeep® Wrangler or Gladiator Vehicle. These products have been designed for long life and a great performance under the toughest conditions.

When unpacking, check to make sure all parts are included and not damaged due to shipping. If any part is missing or broken, please call Customer Service at 800-745-6037 as soon as possible.

Thank you again for your purchase and let's start the installation process.

⚠ CAUTION ⚠

READ ALL SAFETY MESSAGES AND ALWAYS WEAR SAFETY GLASSES WHEN WORKING WITH TOOLS.

⚠ WARNING ⚠

DO NOT EXCEED 150 POUNDS OF EVENLY DISTRIBUTED CARGO LOAD. FOLLOW FACTORY OWNERS MANUAL RECOMMENDATIONS FOR ROOF LOAD CAPACITY AT ALL TIMES.

⚠ WARNING ⚠

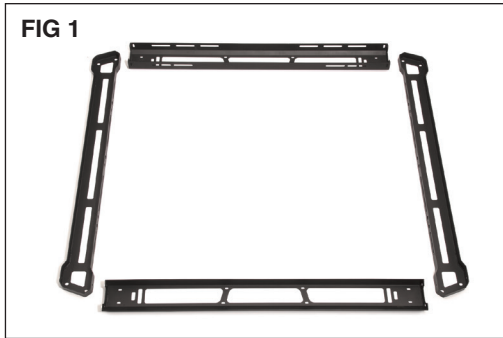
AFTER INSTALLATION, CHECK AND RE-TORQUE ALL FASTENERS ON THE MOUNTING BRACKETS AND RACK ASSEMBLY.

NOTICE

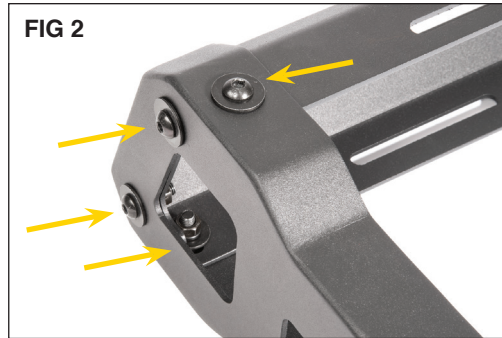
YOU WILL ASSEMBLE AND INSTALL YOUR ROOF RACK BRACKETS WITH THE INSTRUCTIONS SUPPLIED WITH THAT PRODUCT.

Quadratec®
The Jeep® Experts

Installation Instructions:



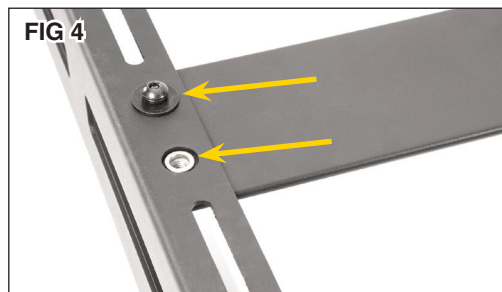
Put on safety glasses. Start by laying out all end and side panels as shown. (FIG 1)



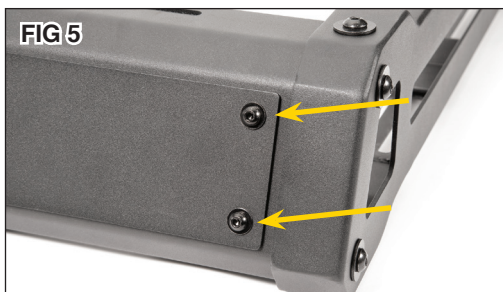
Using the M8 hardware loosely assemble each corner of the rack. Each corner receives four bolts, eight washers, four lock washers and four nuts. (FIG 2)



One corner one at a time, evenly tighten the top, bottom and side hardware using a 5mm hex key and 13mm box end wrench. (FIG 3)



Flip the rack up side down and insert the 3 floor slats. Attach the floor slats to the rack with the remaining M8 hardware using a 5mm hex key. Each screw will receive a lock washer and flat washer. The slats nut-sets will sit on center of the holes as shown. (FIG 4)



Attach the front wind deflector if desired to the front of the rack with the M6 hardware using a 4mm hex key and 10mm wrench or socket. (FIG 5)



With assistance from another person you may now install the rack to your roof mounting brackets and follow the mounting steps provided in the brackets instruction sheet.

Quadratic
The Jeep Experts

Quadratec® Exclusive Three Year Limited Warranty

Your Quadratec® branded accessories are covered by the following **Limited Warranty** provided exclusively by Quadratec, Inc., 1028 Saunders Lane, West Chester PA 19380.

This Limited Warranty is the only warranty made in connection with your purchase. Quadratec neither assumes nor authorizes any vendor, retailer or other person or entity to assume for it any other obligation or liability in connection with this product or Limited Warranty. This Limited Warranty does not apply and is not cumulative to any accessory or part distributed by Quadratec for which the Manufacturer provides a separate written warranty.

What is Covered: Subject to the terms, exclusions and limitations herein and with respect only to Quadratec branded accessories first sold in the United States, Quadratec warrants to the initial retail purchaser only that your Quadratec accessory shall be free of defects in material and workmanship: **for a period of three (3) years from date of retail purchase.**

This **Limited Warranty** is not assignable and shall terminate upon sale of the vehicle upon which the Quadratec accessory is installed or other transfer third persons.

All other warranties are hereby disclaimed, except to the extent prohibited by applicable law in which case any implied warranty of merchantability or fitness for a particular purpose on this product is limited to 3 year from date of initial retail sale. Quadratec reserves the rights to: (a.) require invoice or other proof your accessory is within the terms of this **Limited Warranty** as a condition of warranty service and, (b.) make future revisions to this product and **Limited Warranty** without prior notice or obligation to upgrade your product.

What is Not Covered:
Your Quadratec **Limited Warranty** does not cover products or parts Quadratec determines to have been damaged by or subjected to:

(a.) installation damage, alteration, modification, combination with other parts, failure to maintain or improper repair or service, (b.) normal wear & tear, cosmetic damage or damage from moisture or water immersion, (c.) Acts of God, accidents, misuse, negligence, inadequate mounting or impact with vehicle(s), obstacles or other aspects of the environment, (d.) theft, vandalism or other intentional damage.

Remedy Limited to Repair/Replacement:
The exclusive remedy provided hereunder shall, upon Quadratec inspection and at Quadratec's option, be either repair or replacement of product or parts (new or refurbished) covered under this Limited Warranty. Customers requesting warranty consideration should first contact Quadratec to obtain a RGA number (610-701-3336). All labor, removal, shipping and installation costs are customer's responsibility.

Other Limitations - Exclusion of Damages - Your Rights Under State Law:

In consideration of the purchase price paid, neither Quadratec nor any independent Quadratec distributor/licensee are responsible for any time loss, rental costs, or for any incidental, consequential, punitive or other damages you may have or incur in connection with any part or product purchased. Your exclusive remedy hereunder for covered parts is repair/replacement as described above.

This **Limited Warranty** gives you specific rights. You may also have other rights that vary from state to state. For example, some states do not allow limitations of how long an implied warranty lasts and /or do not allow the exclusion or limitation of incidental or consequential damages, so the limitations and exclusions herein may not apply to you.

©Quadratec, Inc. 2020. All Rights Reserved.
8.31.20 A4 Version

Part #12999.3177

Quadratec
The Jeep® Experts