



## QUAKE™ LED



2012 Jeep Wrangler Rubicon

For future reference record your controller's serial no. found on the fused wire here \_\_\_\_\_

### **WARNING:**

Read all instructions and warnings before installing and using.

**INSTALLER:** This manual must be delivered to the end user of this equipment.

### **INTRODUCTION**

Thank you for purchasing our Quad-Lock Pro Controller and improving the safety of your vehicle and the safety of the occupants inside!

Adding a Quad-Lock Pro Controller to control your Quake LED RGB Accent lights allows you to control up to five lighting zones, such as front & rear driver's side, front & rear passenger sides and a center channel. Now you can add great lighting features like: White Courtesy, RGB Accent Lights, Turn Signals, Hazards and Brake Lights to your existing Quake LED Accent Light Bars and Quake LED Accent Work Lights.

The Controller comes with a few input and output wires that need to be connected to your vehicle's existing wiring so that your Quake Accent Lights operate correctly. Without sufficient electrical knowledge and/or your vehicle's wiring diagrams, installation may prove difficult. So at Quake LED, we always suggest you leave it to the professionals and have a qualified technician install your new Quad-Lock Pro Controller.

### **PARTS INCLUDED**

1x Quake Quad-Lock Pro Controller

1x RF Key Fob Remote

2x 1 to 4 RGB Splitter

2x 9' RGB Extension Wire

2x 6' RGB Extension Wire

### **UNPACKING and PRE-INSTALLATION**

Carefully remove the Quad-Lock Pro Controller and place it on a flat surface, taking care not to scratch or damage it. Examine the controller for any visible damage caused by shipping and report any damage to the carrier and keep the shipping package.

All INPUT and OUTPUT wires are labeled with wire designation stickers. Take a look at the wire designation stickers so you are thoroughly acquainted with which RGB wires connect to which LED lights or vehicle input wires. This will save you a lot of headache in the long run.

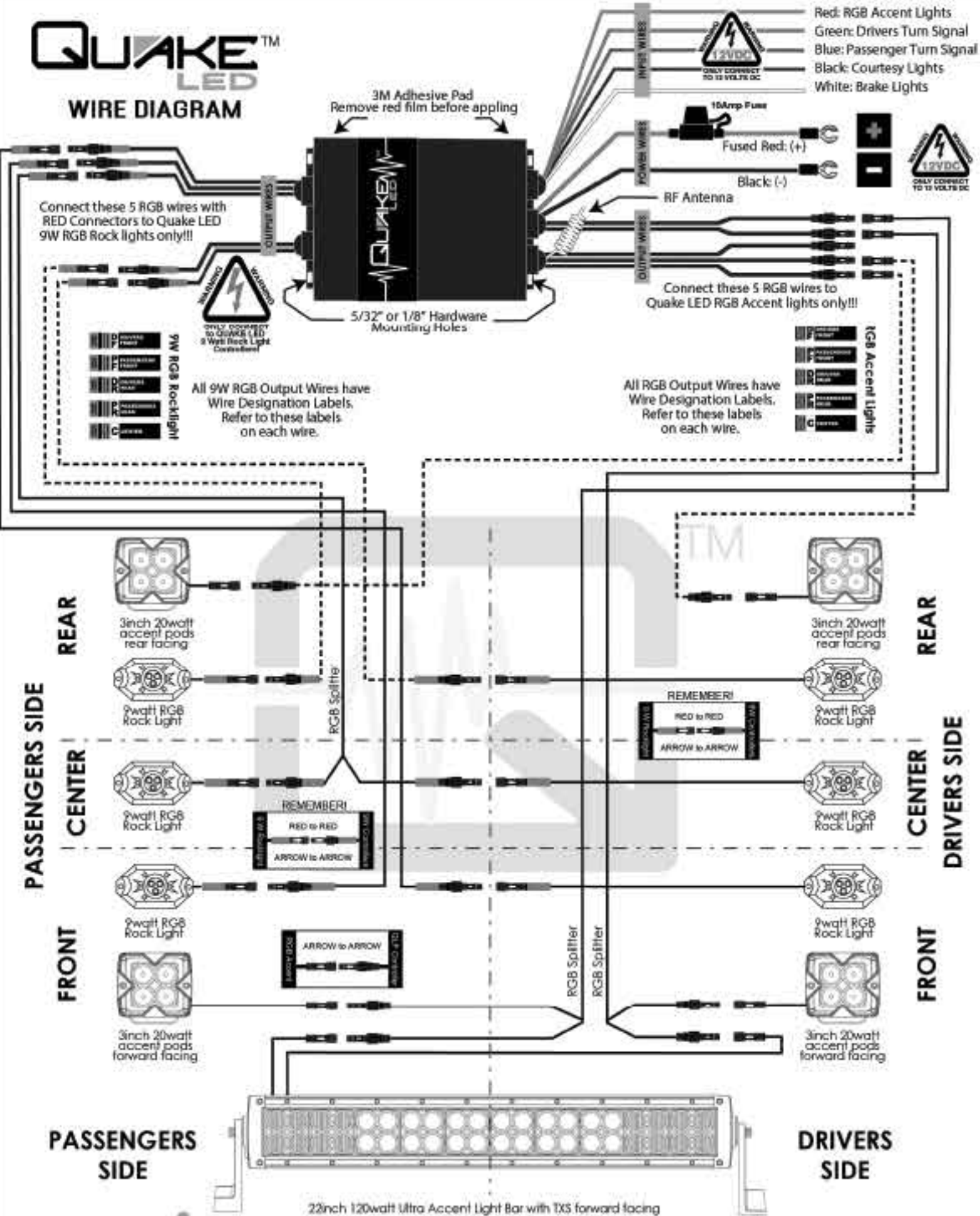
This Quake LED Quad-Lock Pro controller is built to operate on 12-volt DC negative ground vehicles only. If you have an electrical system other than 12-volt DC negative ground, DO NOT CONNECT and contact Quake LED for further instructions.



— LIGHT UP THE DARKNESS —

## WIRE DIAGRAM

- Red: RGB Accent Lights
- Green: Drivers Turn Signal
- Blue: Passenger Turn Signal
- Black: Courtesy Lights
- White: Brake Lights



-LED Lights not included, sold separately  
 -Wire Diagram is for illustration Only.  
 -Actual wire harness lengths and wire gauge are not to scale.  
 -Actual wire harness components are not to scale.



— LIGHT UP THE DARKNESS —



# INSTALLATION, MOUNTING, SPECIFICATIONS, RGB CURRENT DRAW



ITEM #  
QUIC785

## INSTALLATION and MOUNTING

Carefully plan where you will mount your Quad-Lock Pro controller and all the RGB wires connecting to Quake LED Accent Lights. We suggest mounting/installing all of your Quake LED Accent lights and have them fully functioning before adding this controller.

Choose a location to mount your Quad-Lock Pro controller that is close to your vehicle's +12VDC power, NEG ground and five input wires if possible. You can crimp and add up to 10 feet of extra wire to those wires. We suggest a location that is dry, clean and easy to get to in case you want to add more lights in the future.

Although we have designed the Quad-Lock Pro Controller unit to be weatherproof, we do not recommend placing the controller unit outside in heavy water areas such as near wheel wells or windshield wiper/roof drain areas, etc.

Pick a route that is clear of moving or rotating parts and far away from hot components. Excessive or prolonged heat can damage wires leading to wire chaffing, which can lead to easy breakage and cause a circuit to short out.

Mount the controller on the flattest surface you can find. On the bottom side of the Quad-Lock Pro Controller are 2 strips of 3M adhesive-lined EVA. Secure the controller by cleaning the vehicle surface of any oils and remove the red 3M film to bond the controller to the vehicle.

## CONTROLLER SPECS

Working Voltage: 10-14.5VDC

Fuse Size: 10A

Operating Temperature: -4 to ~140F (-20 to ~62C)

Current While Connected: 12VDC, RGB Accent Lights Off: 0.03A/12VDC

Size: (LxWxD) 7.25x4.75x2.0" (180x125x50mm)

Weight: 1.75lbs (0.75kg)

Reverse Polarity Protection: Yes

Control Mode Inputs: +12VDC Input Wires and RF Key Fob Remote Control

Input Wire Working Voltages: 12VDC (call us for 5VDC Input connections)

RGB Accent Light Output Wire Working Voltages: 12VDC

**RGB Accent Light Output Wire Power: 2A per channel**

9W Rock Light Output Wire Working Voltage: 12VDC

**9W Rock Light Output Wire Power: 2A per channel**

RGB Static Colors: 15

RGB Brightness Levels: 5

## RF KEY-FOB REMOTE SPECS

KEY-FOB Remote Size: (LxWxD)

2.125x1.14x0.55Inch  
(54x29x14mm)

Range:

30' (10m)

Battery: 12V 27A x 1



## QUAKE LED RGB ACCENT LIGHT AMPERAGE DRAW CHART

You can use Quake LED RGB Y Splitters to connect multiple RGB lights on the same channel as long as you do not overload the channel. Long light bars and whip lights draw a lot of amperage to power RGB lights. **DO NOT OVERLOAD CHANNELS!** Do not use another brand's RGB wires or RGB splitters. Below is a chart of all Quake LED products that feature RGB Accent Lighting and the RGB AMPERAGE DRAW they require. You may need to purchase additional RGB Y-Splitters or RGB Extension wires depending on how many lights you add and where they are in relation to the Quad-Lock Pro Controller..

MODEL #	ITEM NAME	DRIVERS	PASS.	DRIVERS
		SIDE	SIDE	+ PASS. SIDE
		RGB	RGB	RGB AMP
		AMP	AMP	DRAW
		DRAW	DRAW	(combined)
QUU528	8" Ultra Accent	x	x	0.25
QUU527	14" Ultra Accent	0.25	0.25	0.5
QUU526	22" Ultra Accent	0.35	0.35	0.7
QUU525	32" Ultra Accent	0.5	0.5	1.0
QUU524	42" Ultra Accent	0.6	0.6	1.2
QUU523	52" Ultra Accent	0.8	0.8	1.6
QUUA473	22" Ultra Accent Arc	0.35	0.35	0.7
QUUA472	32" Ultra Accent Arc	0.5	0.5	1.0
QUUA470	42" Ultra Accent Arc	0.6	0.6	1.2
QUUA469	50" Ultra Accent Arc	0.75	0.75	1.5
QUUA467	54" Ultra Accent Arc	0.85	0.85	1.7

MODEL #	ITEM NAME	RGB AMP DRAW
QTL923/4	1 PC 9W RGB Rock Light	0.75
QSE531	3" 20W Accent Pod Spot	0.16
QSE530	3" 20W Accent Pod Flood	0.28
QFR795	4" 48W RGB/Blackout	0.24
QFR794	4" 27W RGB/Blackout Square	0.24
QFR793	4" 27W RGB/Blackout Round	0.24
QFR796	4.5" 50W RGB/Blackout	0.24
QTE769	7" 75W Headlight Accent	0.32
QTE770	7" 75W Headlight Accent	0.32
QTE797	5.75" 36W Work Light Accent	0.28
QTE771	4" 30W Jeep Fog Accent	0.16
QTE751	5x7" 45W Headlight Accent	0.32
QTE751	4x6" 45W Headlight Accent	0.3
QW824	2FT RGB Whip Light	1.3
QW868	4FT RGB Whip Light	2.1
QW529	6FT RGB Whip Light	2.65
QW828	8FT RGB Whip Light	3.6
QW833	3FT CB RGB Antenna	1.5

— LIGHT UP THE DARKNESS —





## SLICING and DICING

This section is where you start to put all that planning together and connect the Quad-Lock Pro Controller to your vehicle and Quake LED Accent Lights. Follow these steps carefully:

1. Connect the Red fused wire to positive terminal on your vehicle's +12VDC battery (or switch).
2. Connect the Black NEG Wire to negative terminal on your vehicle's battery.
3. Tap the INPUT Red Wire to your vehicle's +12VDC battery (or switch). This turns on the RGB Accent Lighting and allows the Key Fob to work. If this wire does not have +12VDC power applied to it the Key Fob will not operate.
4. Tap the INPUT Green Wire to the driver's side +12VDC turn signal wire. This sends the vehicle turn signal to controller.
5. Tap the INPUT Blue Wire to the passenger side +12VDC turn signal wire. This sends the vehicle turn signal to controller.
6. Tap the INPUT White Wire to the vehicle's brake light signal wire. This sends the vehicle brake light signal to controller.
7. Tap the INPUT Black Wire to your vehicle's dome light circuit. This sends the vehicle courtesy light signal to controller.
8. Connect the RGB wire from the RGB Accent Lights on the Pass. side to the Quad-Lock Pro Controller Pass. side Output Wire.
9. Connect the RGB wire from the RGB Accent Lights on the Driver's side to the Quad-Lock Pro Driver's side Output Wire.
10. Connect any Quake LED RGB Accent Lights that you do not want to have any function other than Accent Lighting on the Center Channel. The Center Channel does not have any brake or turn signal functions but does retain White Courtesy lighting.

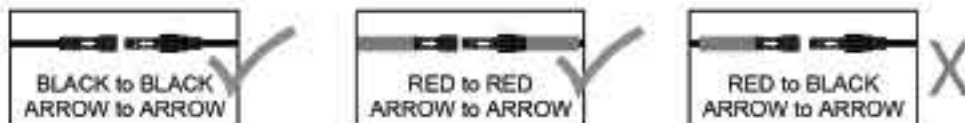
## INSTALLATION TIPS

Clearly mark the RGB wire from the Quake LED Accent Lights to the Quad-Lock Pro Controller so you know which channel that wire is for (e.g. Front Driver's side). Wiring everything correctly from the get-go will save you a significant amount of installation and diagnostic time.

Note: If the Quad-Lock Pro Controller is connected to Quake LED Accent Light Bars and 9W RGB Rock Lights, it will sometimes spark when connecting to a battery. This is normal although be careful if explosive fumes are in the area!

## WARNINGS:

Quake LED 9W RGB Rock Lights have RED CONNECTORS. DO NOT CONNECT 9W RGB Rock Lights to RGB Light Bar or Work Light Output Wires. This will immediately blow the 9W RGB Rock Light. You must connect the 9W RGB Rock Lights to the Red Connectors on the Quad-Lock Pro Controller. Red connectors are designated for 9W Rock Light usage only. If you continue connecting a blown 9W RGB Rock Light, the entire Quad-Lock Pro Controller will be destabilized.



RGB Connectors have Arrows on both the male and female connectors. You MUST align these Arrows before fully engaging the connectors.



+12VDC ONLY. Ensure all vehicle circuits that you will tap into are +12VDC by using a multi-meter before connecting to the Quad-Lock Pro Controller. Many newer vehicles operate with +5VDC on small lights to reduce vehicle energy consumption.

Route all wires as far away from high temperature areas as possible. Wires can slowly melt from high heat and possibly short circuit. Wrap any wires that are near high temperatures with high heat protection tape bought at your local automotive store.

Route all wires away from moving or rotating parts. Wire jackets can wear away if rotating objects come in contact.

Firmly secure all wires so they will not move around and accidentally come into contact with moving parts or high heat.



— LIGHT UP THE DARKNESS —



# 4 BUTTON RF REMOTE FUNCTIONS. MODES, PAIRING & BATTERY



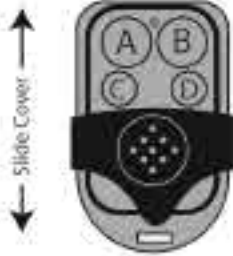
ITEM #  
QUIC7B5

## 4 BUTTON RF KEY FOB FUNCTIONS

You can choose from 17 different OFF-ROAD use RGB Accent colors by using the supplied RF Key Fob. Keep in mind that the RF Key Fob will only work when the RED INPUT wire on the Quad-Lock Pro is connected to +12VDC (or switched on if using a switch).

Please note that the RF Key Fob has a 30-foot range in normal conditions. Range can be affected by weather, other radio frequencies in the area, Wi-Fi signals, and the vehicle itself.

### KEY-FOB RF REMOTE CONTROL



BUTTON		FUNCTION
A	Quick Press	ON/OFF ~ RGB Accent Colors
	Long Press	ON/OFF ~ Center Channel
B	Quick Press	1 thru 17 Modes: Cycles thru 15 Different Static Colors, 7 Color Flash and Million Color Fading
	Long Press	1 thru 15 Modes: Adjust Static Color Dimming 16 thru 17 Modes: Adjust Flash and Fading Speeds
C	Quick Press	1 thru 15 Modes: Flash mode of pre-selected Static Colors
	Long Press	1 thru 15 Modes: Adjust flashing speeds
D	Quick Press	MASTER ON/OFF ~ RGB Accent Colors
	Long Press	Reset RGB Accent Color defaults

### TO CHOOSE

USE THIS



Mode	B-BUTTON	C-BUTTON	D-BUTTON
1	Red	Flash Mode	On / Off
2	Amber	Flash Mode	On / Off
3	Yellow	Flash Mode	On / Off
4	Light Yellow	Flash Mode	On / Off
5	Fluro Yellow	Flash Mode	On / Off
6	Green	Flash Mode	On / Off
7	Light Blue	Flash Mode	On / Off
8	Aqua	Flash Mode	On / Off
9	Cyan	Flash Mode	On / Off
10	Bright Cyan	Flash Mode	On / Off
11	Blue	Flash Mode	On / Off
12	Purple	Flash Mode	On / Off
13	Light Purple	Flash Mode	On / Off
14	Pink	Flash Mode	On / Off
15	Magenta	Flash Mode	On / Off
16	7 Color Flash	Adjust Flash	On / Off
17	Mil. Color Fade	Adjust Fade	On / Off

ALL  
COLORS

## REMOTE PAIRING

The controller and remote are paired 1:1 as default. The controller can only be controlled by a paired remote. When an extra remote is needed, or the controller needs to be repaired, the user can match the remote by the following instructions:

1. Remove the 10A fuse from the waterproof fuse holder (connected to red wire on controller).
2. Insert the 10A fuse back into the fuse holder, then (within 5 seconds) press A followed by B on the remote. Following these steps will sync the Quad-Lock Pro Controller to the RF Key Fob Remote.

## RF REMOTE BATTERY REPLACEMENT

Remove the three Philips head screws and remove the button panel. Carefully remove the battery and replace with new battery. Reposition button panel then insert and tighten screws.

WARNING: If you lose your KEY-FOB RF Remote Control, You will lose Accent Control capabilities.  
NOTE: Program Number and colors might change from time to time.  
QuakeLED reserves the right to change programs and color choices.



— LIGHT UP THE DARKNESS —



All products sold at Quake LED (Company) have a limited warranty period of one (1) year. Quake LED will honor this warranty on any products that fail during normal use due to manufacturer's defect and have been installed and connected properly. Once received, our technicians will determine the cause of defect.

Quake LED warrants that the goods are free from manufacturing defects in material and workmanship under normal use and service for a warranty period as stated on the product web page, from the date of purchase to the original end user. Warranties do not extend beyond the original end user. Claimant must furnish proof of date of purchase. Company will provide replacement of product. Company's sole liability with respect to any defect shall be for the replacement of the defective goods. Company will not be responsible for any costs relating to the labor of the replacement products or the product that this is assembled into. No one is authorized to make any other warranties on behalf of Company, or modify this warranty, except in a separate written paper document under original signature of a corporate officer of Company then-listed with the Colorado Secretary of State.

**COMPANY WILL NOT BE LIABLE FOR INCIDENTAL OR CONSEQUENTIAL DAMAGES ARISING OUT OF OR IN CONNECTION WITH THE USE OR PERFORMANCE OF THE GOODS OR OTHER INDIRECT DAMAGES WITH RESPECT TO LOSS OF PROPERTY, REVENUES, LIFE OR LIMB, PERSONAL INJURY, AND CLAIMANT'S REMEDIES SHALL BE LIMITED TO REPAIR OR REPLACEMENT OF NONCONFORMING GOODS.**

Here is a list of exceptions to our warranty policy:

- Damage due to mishandling or abuse of the product. (Ex: Driven over by a Sherman Tank or eaten by your friend's dog).
- Not using a voltage regulated power supply to connect LED product(s) or controllers.
- Connecting LEDs to the wrong Output Voltage. (Ex: Connecting a 12VDC system to a 24VDC or 6VDC power supply.)
- Improper connection of power supplies, LED products or controls.
- Connecting backwards to a DC power source. (Ex: connecting the 12VDC output of power supply to the negative input line.)
- Connecting male and female connectors backwards or incorrectly or misaligning RGB connectors Arrow to Arrow.
- Using products in an extremely hot environment. (Ex: using a non-ventilated box in direct 120° sunlight.)
- Water damage to non-waterproof products.
- Electrical power surges. (Ex: Electrical surges caused by the Death Star weapon system is not warranty-able.)
- Acts of God. (Ex: lightning, hail, flooding, tornado, fire, wind, earthquake, etc.)
- Result of war or terrorist attack or other causes that are not defects in materials or workmanship.
- Products or electronic components that have been modified by the user.
- Products used for purposes other than intended and directed.
- Products damaged by connection to LED systems or components not purchased from Quake LED.

#### How to obtain Warranty Service

Within the first thirty (30) days after the original purchase, products must be returned to the dealer. After thirty (30) days and for up to one (1) year the product may be returned to Quake LED.

When returning products to Quake LED shipping must be paid by you. Your replacement or repaired product will be returned to you with no shipping charge. Carefully pack the product and all included accessories into a suitable box or mailing package, including the original, dated register receipt or invoice and a letter describing the defect, including a daytime phone number and street address. Do not use a PO Box as UPS and FedEx will not deliver to a PO Box.

Make sure you can track your shipment to us. Quake LED will not be responsible for lost packages. Quake LED will not be responsible for damage incurred during shipment to us. Failure to include dated proof of original purchase will invalidate the Limited Warranty.

For customer assistance and technical support call (720) 305-8979 Monday through Friday 9:00 am to 5:00 pm Mountain Standard Time or send an email to [orders@quakeled.com](mailto:orders@quakeled.com).

Ship the defective product(s) to:  
Quake LED (Returns Dept.)  
3301 W Hampden Ave. Unit V  
Englewood, CO 80110



— LIGHT UP THE DARKNESS —