

# **INSTALLATION INSTRUCTION**

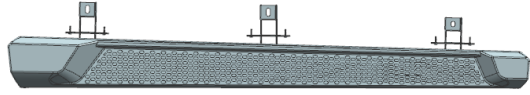
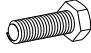





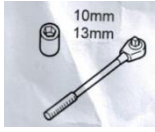
## **OEM Replica Running Boards**

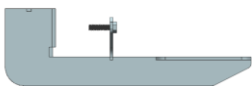
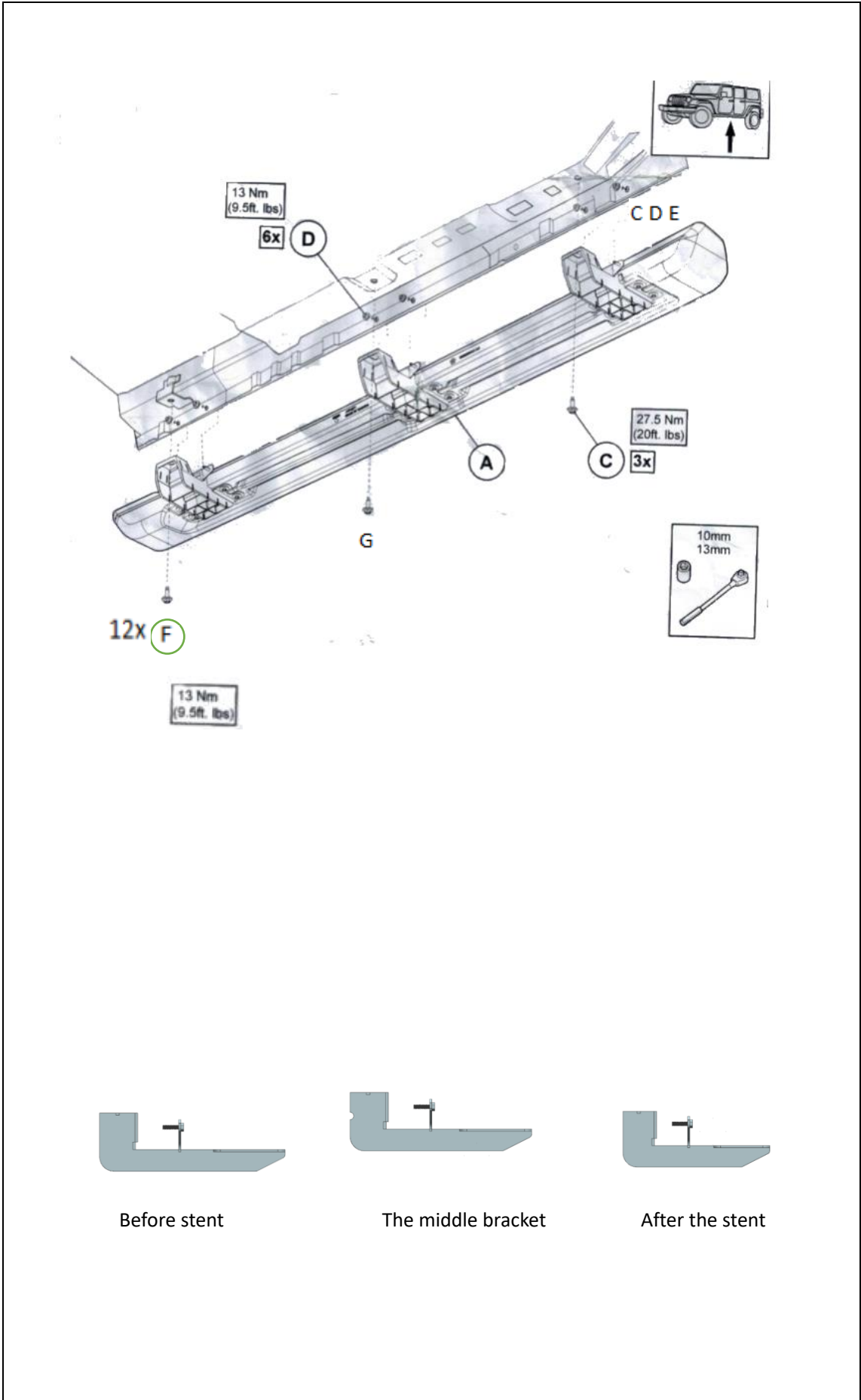
**2018-2020 Jeep Wrangler**

**PART # RJEWRJL**

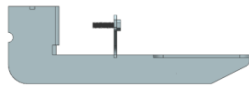


**BLACK HORSE  
OFF ROAD**

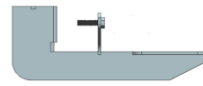
 <p>A HL</p>	 <p>C 6-M8*25</p>	 <p>D 6-M8 Flat washer</p>	 <p>E 6-M8 Lock washer</p>
 <p>B RH</p>	 <p>F 24-M6*15 Hex flange screws</p>	 <p>G 12-M6 The flange nut</p>	 <p>10mm 13mm</p>



Before stent



The middle bracket



After the stent

