

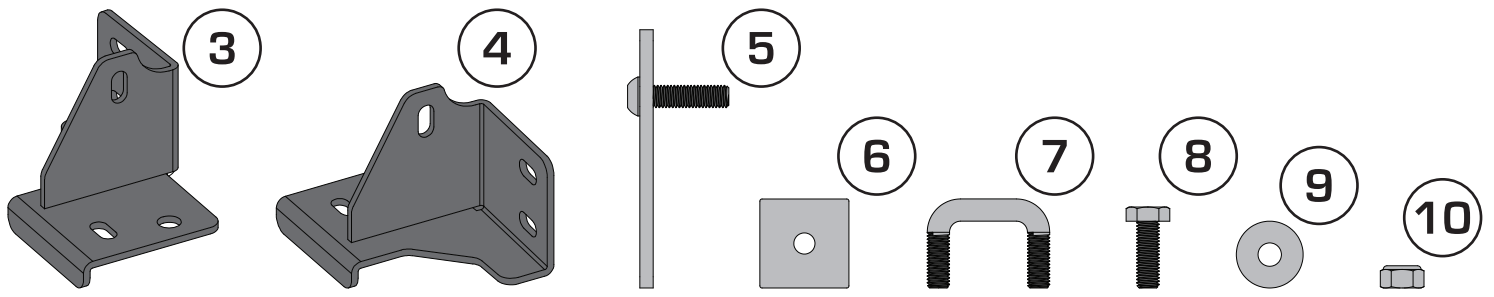
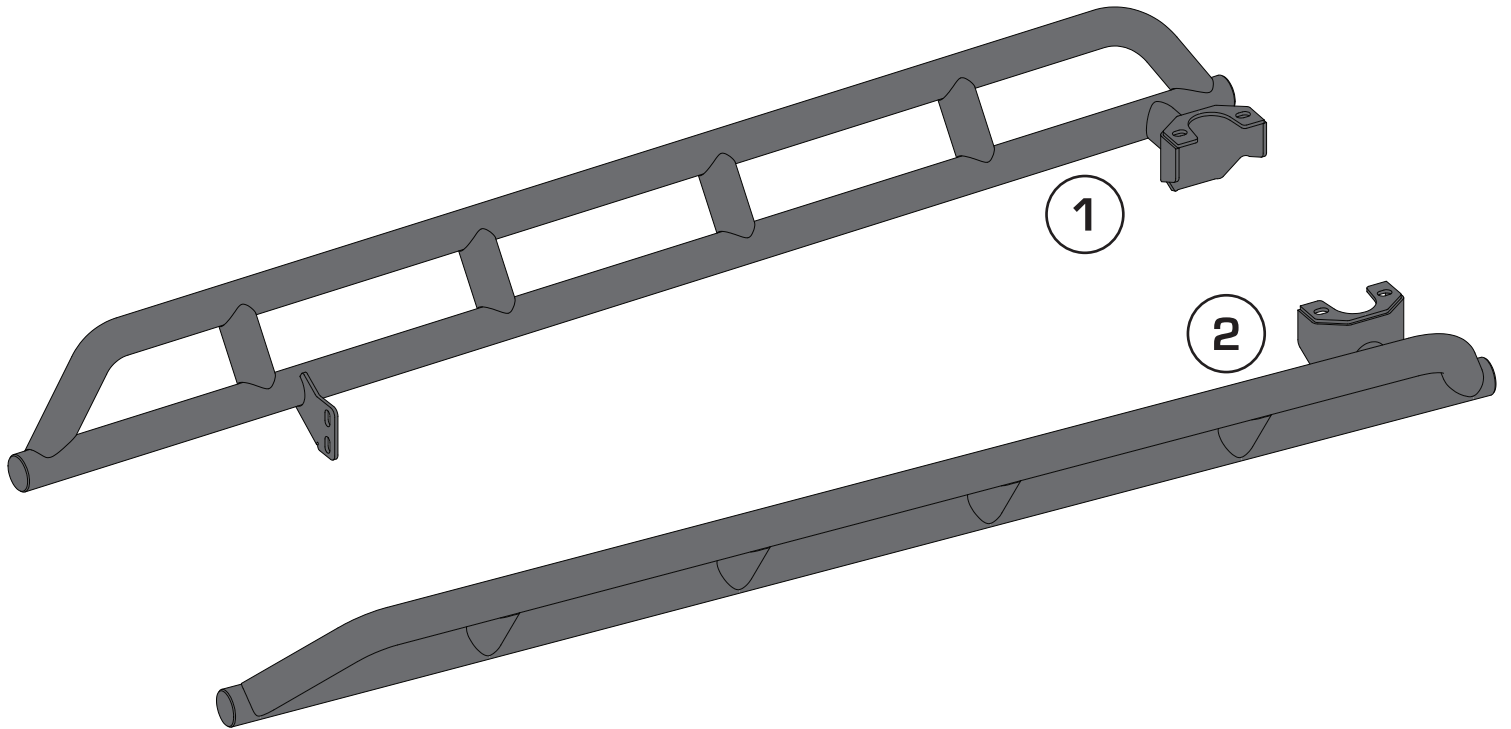


OMIX-ADA, Inc.

Part # 11504.36

460 HORIZON DR. SUITE 400 | SUWANEE, GA 30024 | PHONE: 770-614-6101 | FAX: 844-270-0593 | www.Omix-ADA.com

RRC Rocker Guards, JL Wrangler (4 Door)



Components

- | | | | |
|-----------------------------|-----|-------------------|------|
| 1. Rocker Guard - Right | (1) | 6. Plastic Washer | (4) |
| 2. Rocker Guard - Left | (1) | 7. U-Bolt | (2) |
| 3. Mounting Bracket - Right | (1) | 8. M10 Bolt | (4) |
| 4. Mounting Bracket - Left | (1) | 9. M10 Washer | (14) |
| 5. Flag Bolt | (2) | 10. M10 Lock Nut | (10) |

OMIX-ADA® TECHNICAL SUPPORT

PHONE: M-F 8am - 5pm EST 1-800-449-6649

FOR WARRANTY OR TECH CONCERNS EMAIL: webmaster@omixsupport.com



OMIX-ADA, Inc.

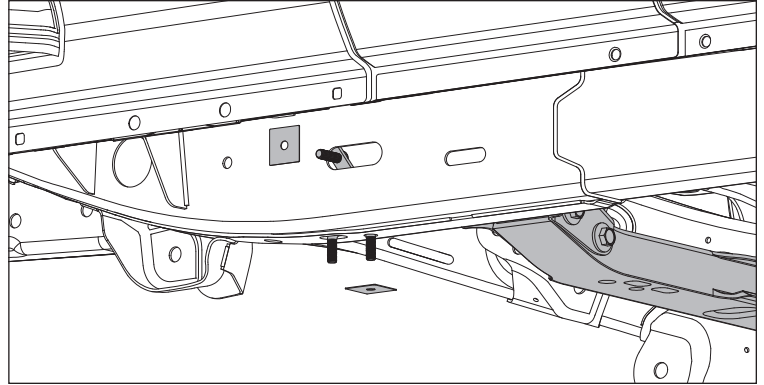
460 HORIZON DR. SUITE 400 | SUWANEE, GA 30024 | PHONE: 770-614-6101 | FAX: 844-270-0593 | www.Omix-ADA.com

RRC Rocker Guards, JL Wrangler (4 Door)

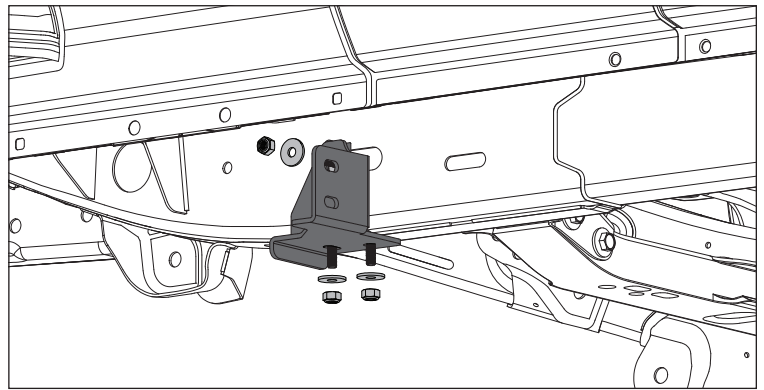
1. Locate cross member under front doors. Insert Flag Bolt and U-Bolt in holes in frame as shown. Use Plastic Washers to prevent hardware from falling into frame.

NOTICE

Use caution while inserting hardware into frame. If dropped it may be difficult to remove.



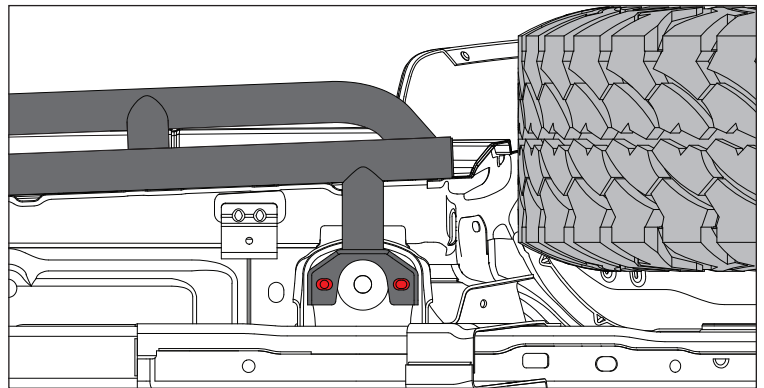
2. Install Mounting Bracket on vehicle frame using supplied M10 washers and lock nuts.



3. Remove two M10 nuts from body mount in front of rear wheel. Loosely install Rocker Guard on studs using factory M10 nuts.

NOTICE

Rocker Guard installation may require assistance from another person.



4. Attach Rocker Guard to Mounting Bracket using supplied M10 hardware. Once attached, tighten all mounting hardware.

