

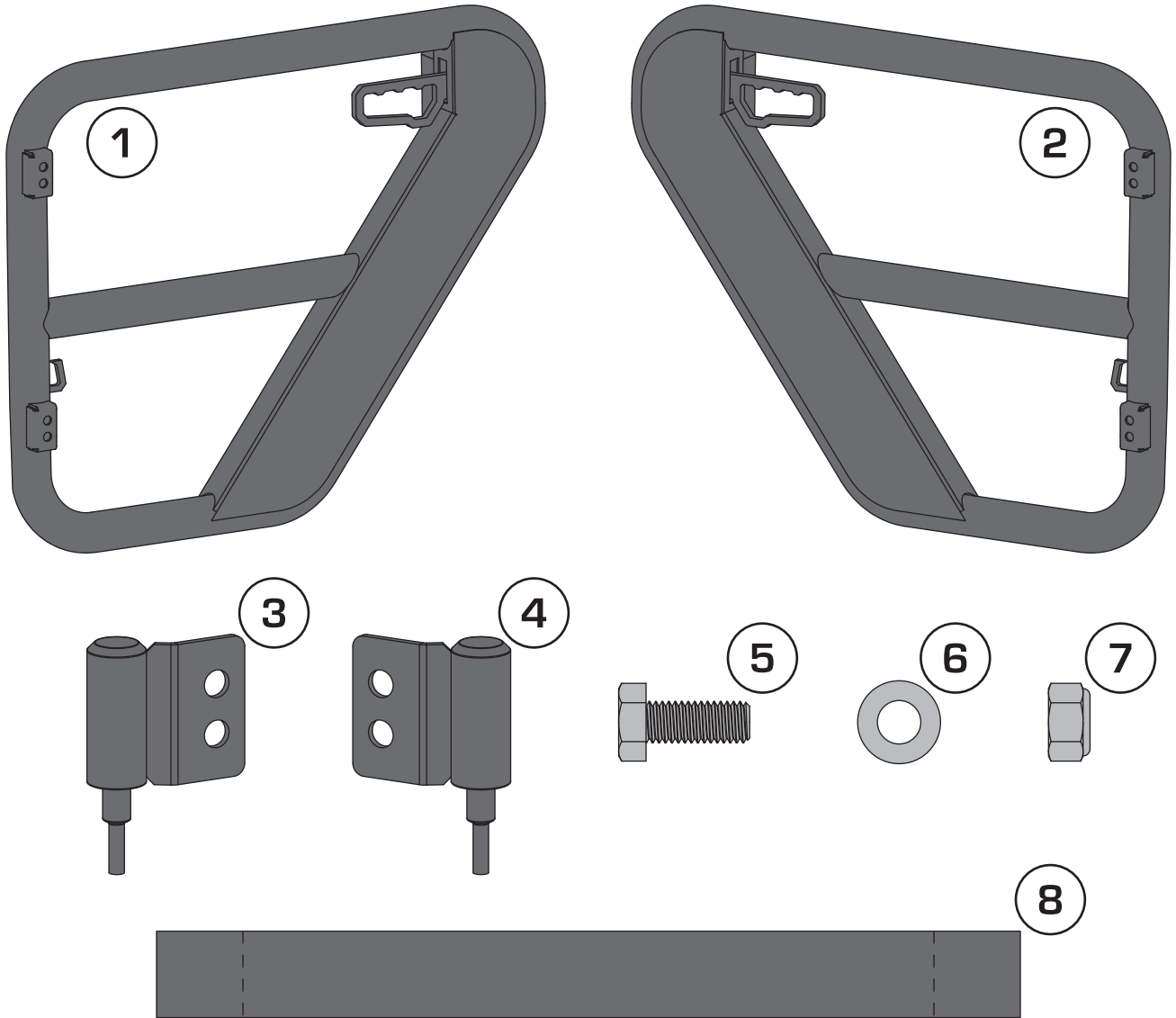


OMIX-ADA, Inc.

Part # 11509.14

460 HORIZON DR. SUITE 400 | SUWANEE, GA 30024 | PHONE: 770-614-6101 | FAX: 844-270-0593 | www.Omix-ADA.com

# Rear Tube Doors; JL Wrangler



## Components

- |                      |     |                |      |
|----------------------|-----|----------------|------|
| 1. Tube Door - Left  | (1) | 5. M8 Bolt     | (8)  |
| 2. Tube Door - Right | (1) | 6. M8 Washer   | (16) |
| 3. Hinge Pin - Left  | (2) | 7. M8 Lock Nut | (8)  |
| 4. Hinge Pin - Right | (2) | 8. Check Strap | (2)  |

### OMIX-ADA® TECHNICAL SUPPORT

PHONE: M-F 8am - 5pm EST 1-800-449-6649

FOR WARRANTY OR TECH CONCERNS EMAIL: [webmaster@omixsupport.com](mailto:webmaster@omixsupport.com)



OMIX-ADA, Inc.

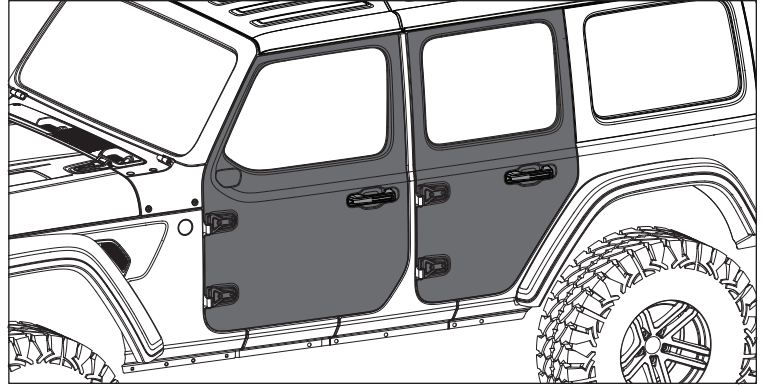
460 HORIZON DR. SUITE 400 | SUWANEE, GA 30024 | PHONE: 770-614-6101 | FAX: 844-270-0593 | www.Omix-ADA.com

## Rear Tube Doors; JL Wrangler

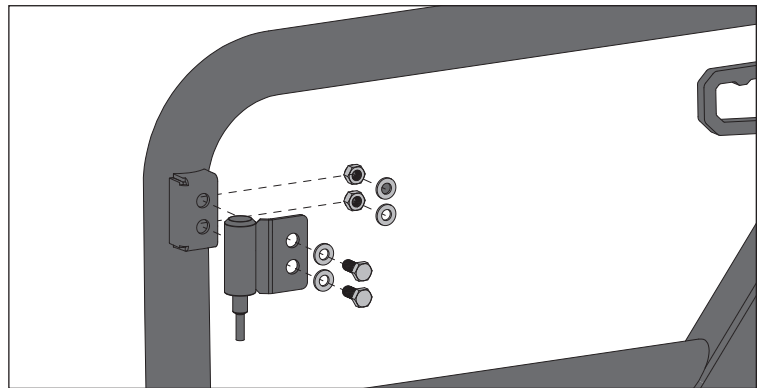
1. Remove doors from vehicle as instructed in factory supplied user manual.

### NOTICE

Door removal may require assistance from another person.



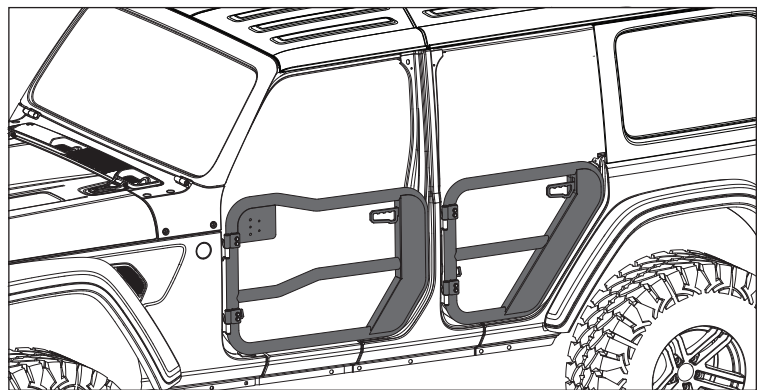
2. Loosely install Hinge Pins on Tube Doors using supplied M8 hardware.



3. Using caution, slowly insert Tube Door in door hinges and reinstall factory door nuts.

### NOTICE

Tube Door installation may require assistance from another person.



4. Close Tube Door and tighten Hinge Pin hardware. Install Check Strap and cycle Tube Door open and closed to ensure Hinge Pins are properly aligned and fully seated in door hinge.

### NOTICE

If door does not close after Hinge Pin alignment, loosen two M6 bolts securing latch box to door. Adjust latch box position until door closes properly.

