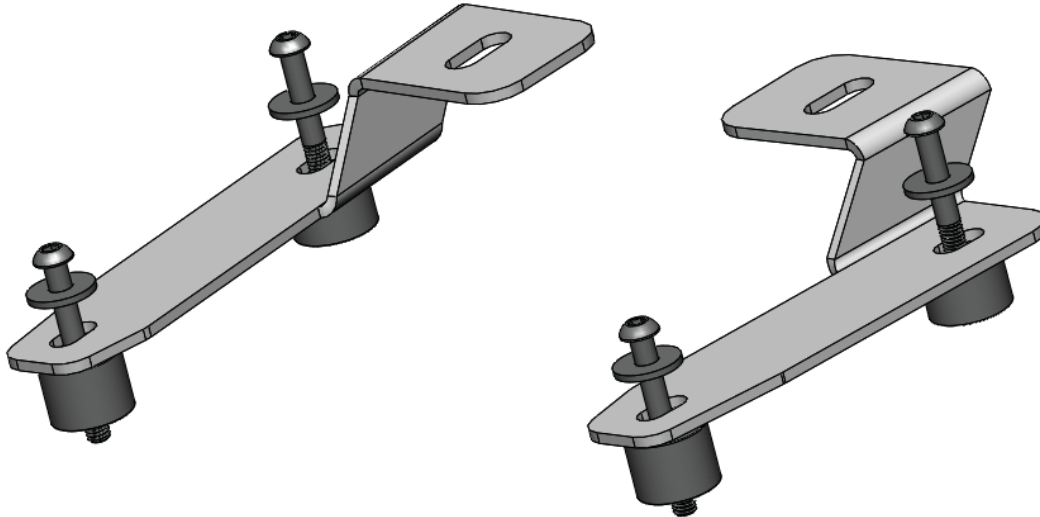
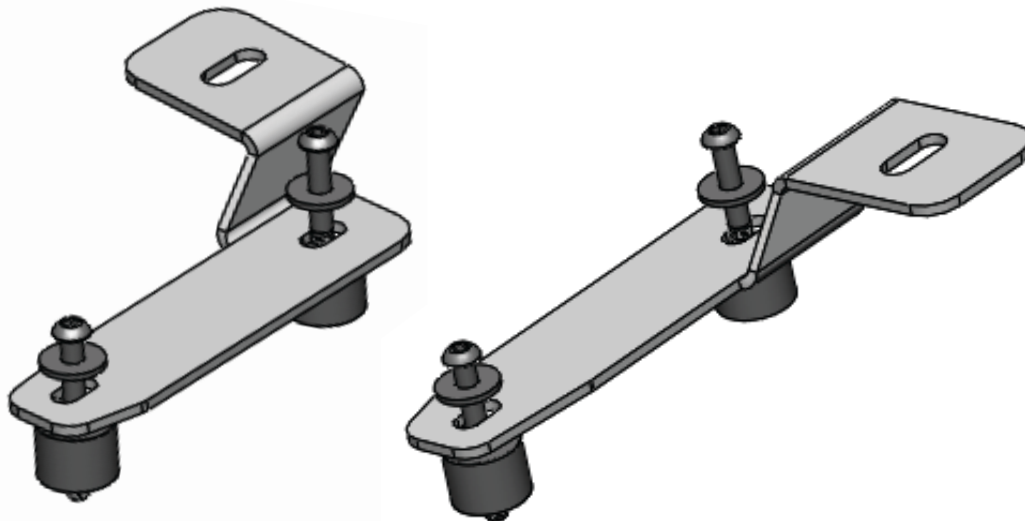


## Rugged Ridge Cowl Cube Mount, Inside & Outside JL & JT



### Components for 11232.72

1. Driver & Passenger Side inner cube mount bracket .....	2	4. M6 Black Flat Washer .....	4
2. 16.5mm tall plastic spacer .....	4	5. 1.5mm Thin Washer, stainless .....	2
3. M6 Black Button Head Bolt.....	4	6. 2.8mm Thick Washer, stainless.....	2



### Components for 11232.73

1. Driver & Passenger Side outer cube mount bracket .....	2	4. M6 Black Flat Washer .....	4
2. 16.5mm tall plastic spacer .....	4	5. 1.5mm Thin Washer, stainless .....	2
3. M6 Black Button Head Bolt.....	4	6. 2.8mm Thick Washer, stainless.....	2

**OMIX-ADA® TECHNICAL SUPPORT**

PHONE: M-F 8am - 5pm EST 1-800-449-6649

FOR WARRANTY OR TECH CONCERNS EMAIL: [webmaster@omixsupport.com](mailto:webmaster@omixsupport.com)

**ATTN: STATE OF CALIFORNIA CONSUMERS**

**⚠ WARNING: Cancer and Reproductive Harm - [www.P65Warnings.ca.gov](http://www.P65Warnings.ca.gov).**

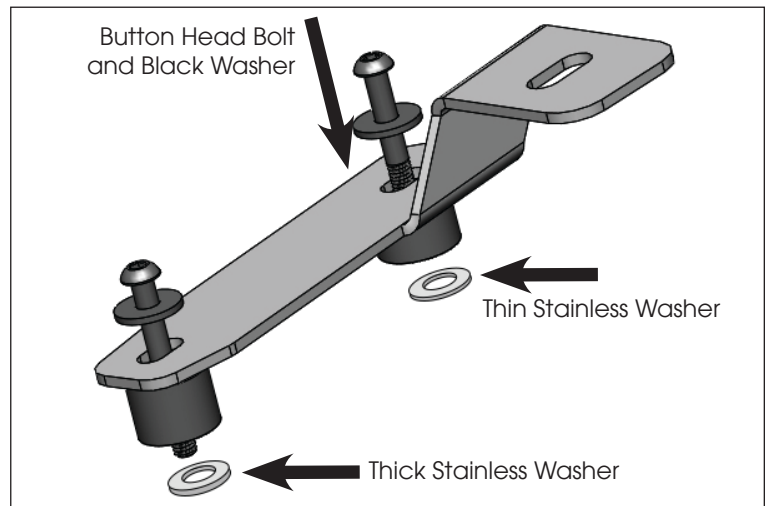
## Rugged Ridge Cowl Cube Mount, Inside & Outside JL & JT

1. Remove the two upper OE screws on the Cowl side panel, these are the two screws just below the windshield hinge. Screws requires a T40 Torx Bit to remove, which is in the Top and Door Removal Torx tool kit included with your Jeep.



2. To install the LED mount bracket place the thicker 2.8mm stainless washer in front cowl location and the thinner 1.5mm stainless washer in the rear cowl position. Now place the plastic spacers on top of the stainless washers. Place bracket on top of the spacers and feed the Button head bolt and washer (provided) through the bracket and spacer to the threaded hole. Tighten to secure, **DO NOT over tighten or use power tools to tighten.**

Now install the LED light you selected and follow the manufacturers directions to properly install.



3. To install two pairs of cubes simply stack the 11232.72 inside bracket and 11232.73 outside bracket. The 11232.72 inside mount bracket will mount towards the bottom and the 11232.73 outside mount on top. With this order it allows the LED light tabs to be level with each other. Use the same hardware and plastic spacers to mount the double brackets.

