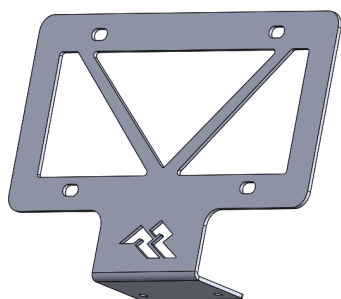
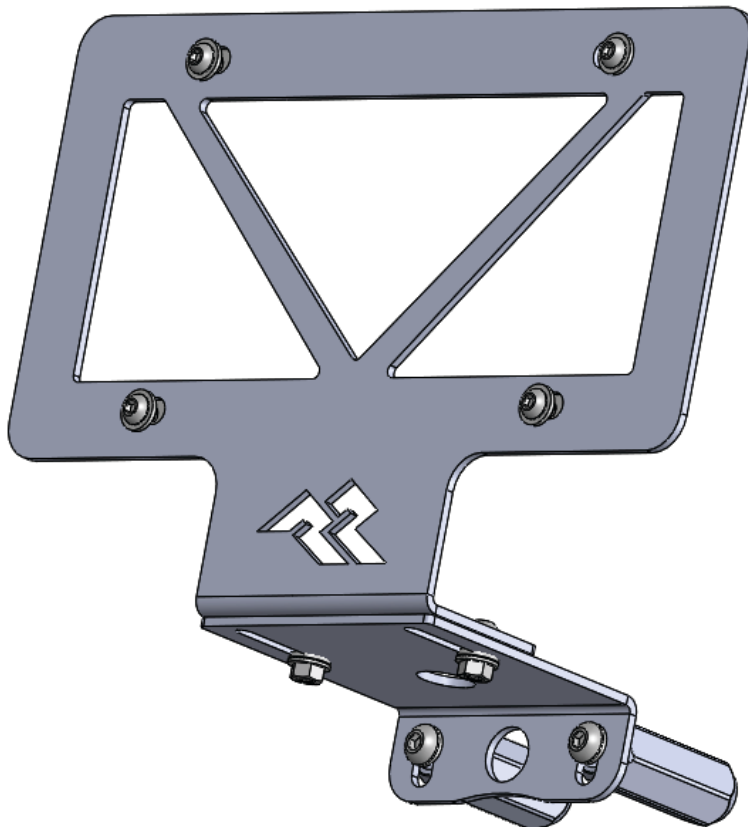
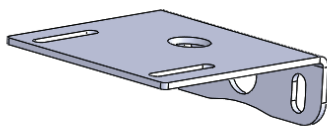


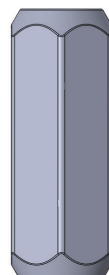
Rugged Ridge Tag Relocation Bracket, JL



Tag Mount



Lug Nut Bracket



Extension



M8 Hardware

M6 Hardware

Components

1. Tag Mount	1	5. M8 Black Flat Washer	2
2. Lug Nut Bracket	1	6. M6 Black Button Head Screw	6
3. Lug Nut Extension	2	7. M6 Black Flat Washer	12
4. M8 Black Button Head Screw	2	8. M6 Black Serrated Flange Nut	6

OMIX-ADA® TECHNICAL SUPPORT

PHONE: M-F 8am - 5pm EST 1-800-449-6649

FOR WARRANTY OR TECH CONCERNS EMAIL: webmaster@omixsupport.com

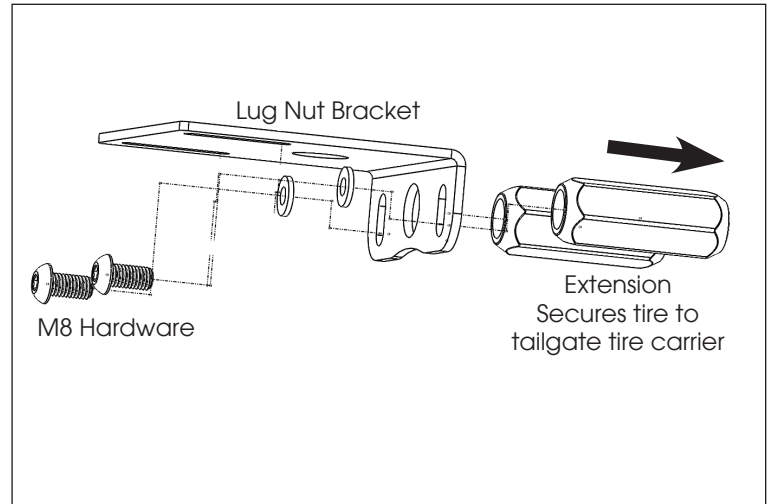
ATTN: STATE OF CALIFORNIA CONSUMERS

⚠ WARNING: Cancer and Reproductive Harm - www.P65Warnings.ca.gov.

Rugged Ridge Tag Relocation Bracket, JL

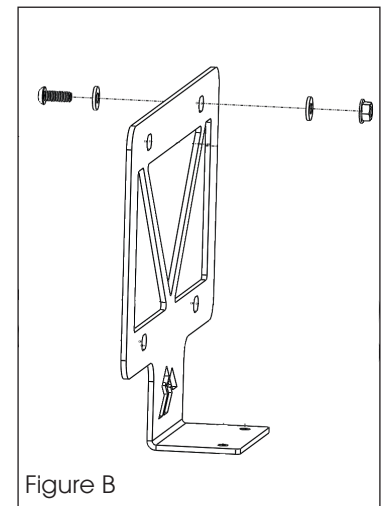
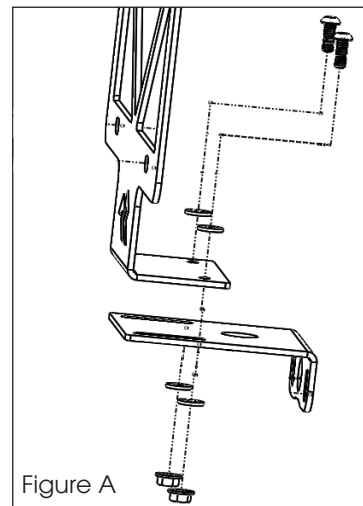
1. The spare tire is secured by three lug nuts to the tailgate bracket. Remove the two at the top one at a time and replace with our lug nut extension. Fully tighten the lug nut extension to secure spare tire.

Now install the lug nut bracket to the extensions using the M8 screw and washer. Fully tighten.



2. Now attach the tag mount to the lug nut bracket using the M6 hardware. It requires a washer on either side of the brackets and serrated flange nut, see figure A. This bracket has slotted holes to adjust the tag mount away from your spare. Make sure there is enough space from the mount and your spare to avoid rubbing the finish of your spare.

Now install your tag with the provided M6 hardware, see figure B.



3. We would highly advise adding a set of Rugged Ridge LED License Plate Bolts (11233.10) to the tag bracket to illuminate your plate and keep within your local laws.

