

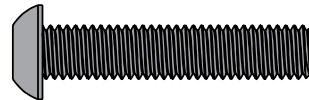
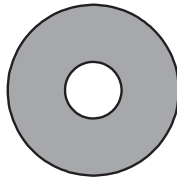
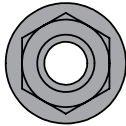
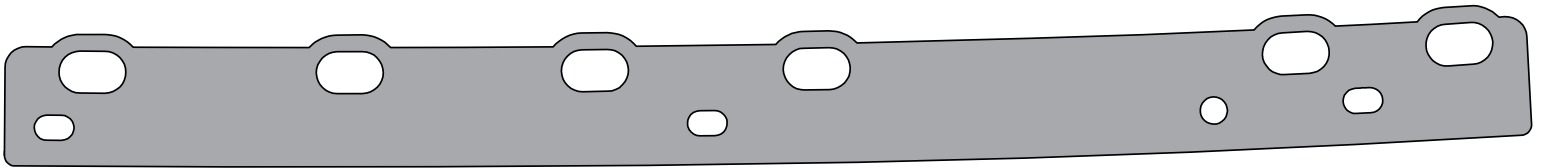


OMIX-ADA, Inc.

460 HORIZON DR. SUITE 100 | SUWANEE, GA 30024 | PHONE: 770-614-6101 | FAX: 770-614-6069 | info@omix-ada.com

Part #13516.70

Trail Anchor Rails, 4-Door; Jeep Wrangler



Components

- 1. Tie Down Brackets
- 2. M10 Flange Nut

- (2) 3. M10 Washer (6)
- (6) 4. M10 Button Head Bolt (6)

OMIX-ADA® TECHNICAL SUPPORT

PHONE: M-F 8am - 5pm EST 1-800-449-6649 | EMAIL: techsupport@omix-ada.com

FOR WARRANTY INFORMATION VISIT: www.Omix-Ada.com



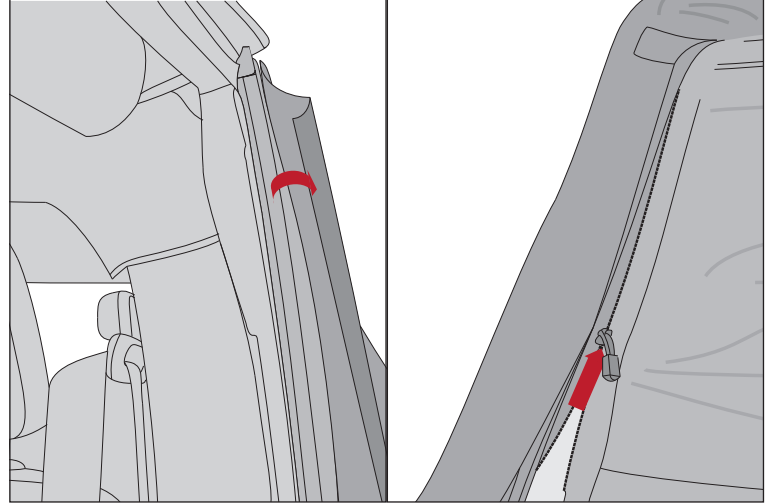
OMIX-ADA, Inc.

460 HORIZON DR. SUITE 100 | SUWANEE, GA 30024 | PHONE: 770-614-6101 | FAX: 770-614-6069 | info@omix-ada.com

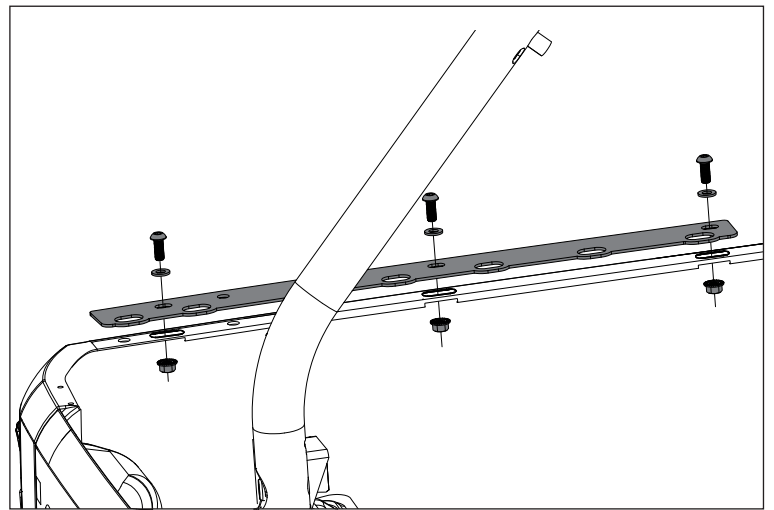
Trail Anchor Rails, 4-Door; Jeep Wrangler

NOTICE If using a Hard Top, skip to Step 3.

1. Remove Soft Top side windows following owner's manual Instructions.



2. Using supplied hardware, mount Tie Down Brackets to tub rail. Re-attach Soft Top side windows.



3. Remove OE Hard Top mounting bolts and nut clips along tub rail. Align indicated hole to pin on Hard Top. Using supplied hardware, mount Tie Down Brackets to OE Hard Top and tub rail.

