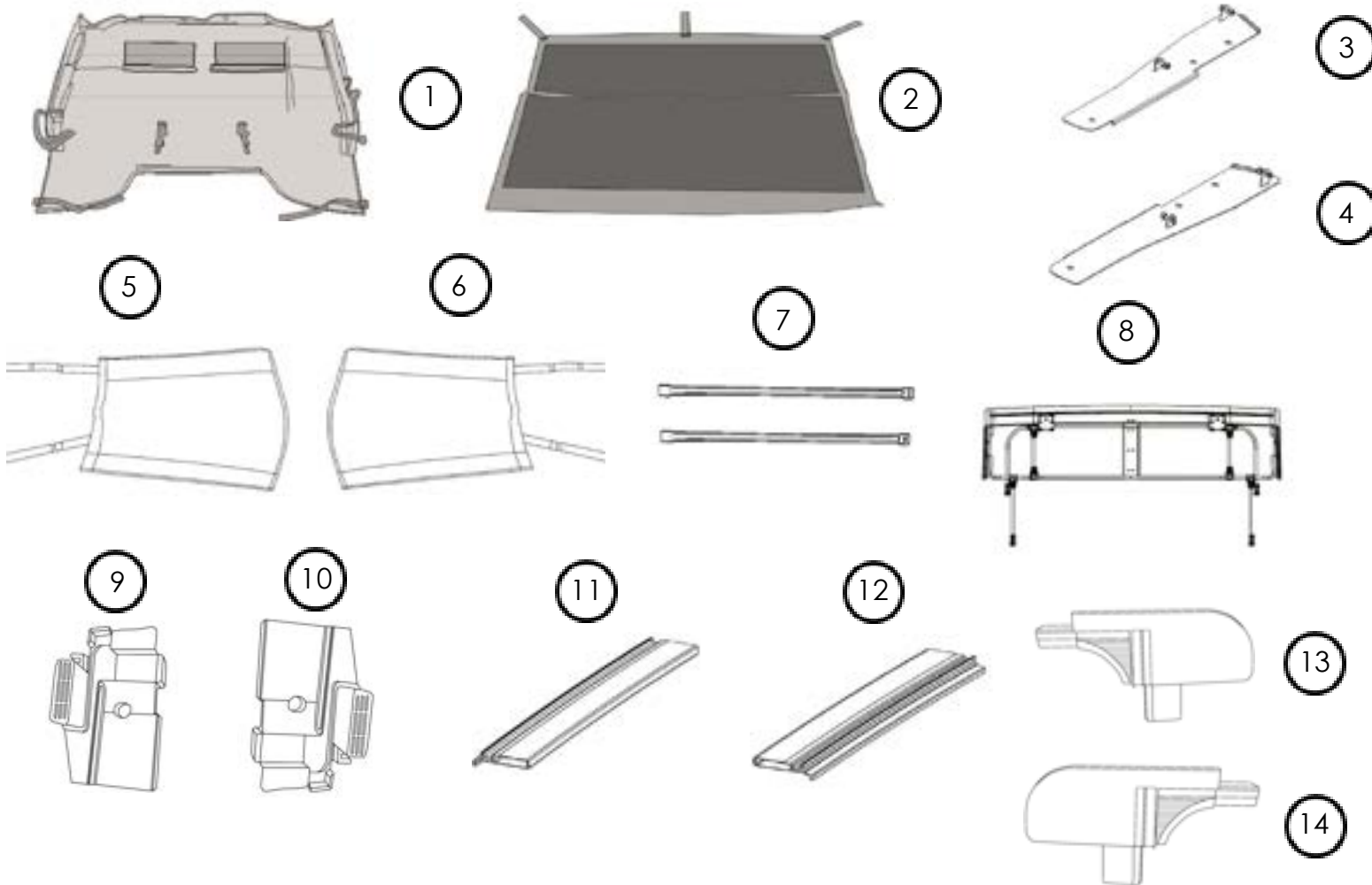


Voyager Top, Gladiator



Components

- | | |
|--|--------------------------------------|
| 1. Voyager Main Deck.....(1) | 8. Flip Top Header Assembly.....(1) |
| 2. Rear Window.....(1) | 9. LH Upright Lower Plastic.....(1) |
| 3. LH Door Surround Mounting Plate.....(1) | 10. RH Upright Lower Plastic.....(1) |
| 4. RH Door Surround Mounting Plate.....(1) | 11. LH Upright.....(1) |
| 5. Left Side Panel.....(1) | 12. RH Upright.....(1) |
| 6. Right Side Panel.....(1) | 13. LH Upper Corner Plastic.....(1) |
| 7. Anti-Puddle Pole.....(2) | 14. RH Upper Corner Plastic.....(1) |

OMIX-ADA® TECHNICAL SUPPORT

PHONE: M-F 8am - 5pm EST 1-800-449-6649 | EMAIL: techsupport@omix-ada.com

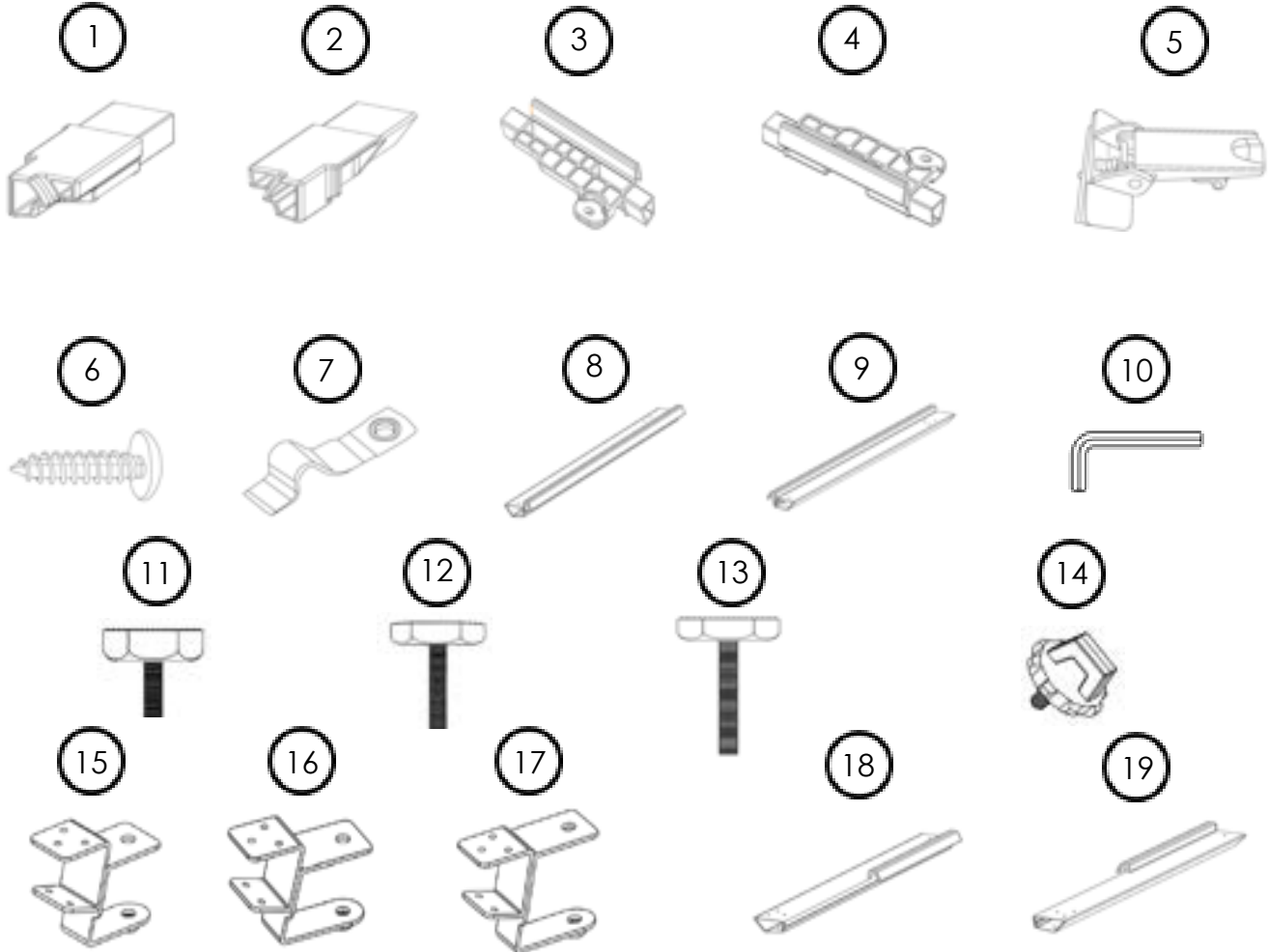
FOR WARRANTY INFORMATION VISIT: www.Omix-Ada.com



OMIX-ADA, Inc.

460 HORIZON DR. SUITE 400 | SUWANEE, GA 30024 | PHONE: 770-614-6101 | FAX: 770-614-6069 | info@omix-ada.com

Voyager Top, Gladiator



Components

- | | |
|---|--|
| 1. LH Front Plastic Adaptor.....(1) | 11. Door Surround Knob - Short M8X30.....(2) |
| 2. RH Front Plastic Adaptor.....(1) | 12. Door Surround Knob - Medium M8X65.....(4) |
| 3. LH Middle Plastic Adaptor.....(1) | 13. Door Surround Knob - Long M8X75.....(4) |
| 4. RH Middle Plastic Adaptor.....(1) | 14. Upright Turn Knob.....(2) |
| 5. Front Latch.....(2) | 15. Door Surround Front Bracket.....(2) |
| 6. Pan Head Self-Tapping Screw.....(48) | 16. Door Surround Front Bracket - Middle.....(2) |
| 7. Top Retention Strap.....(1) | 17. Door Surround Rear Bracket.....(4) |
| 8. LH Rear Door Bar.....(1) | 18. LH Front Door Bar.....(1) |
| 9. RH Rear Door Bar.....(1) | 19. RH Front Door Bar.....(1) |
| 10. Allen Wrench.....(2) | |

OMIX-ADA® TECHNICAL SUPPORT

PHONE: M-F 8am - 5pm EST 1-800-449-6649 | EMAIL: techsupport@omix-ada.com

FOR WARRANTY INFORMATION VISIT: www.Omix-Ada.com

Voyager Top, Gladiator

For proper installation and best possible fit, please read all instructions **BEFORE** you begin.

Important Safety Information

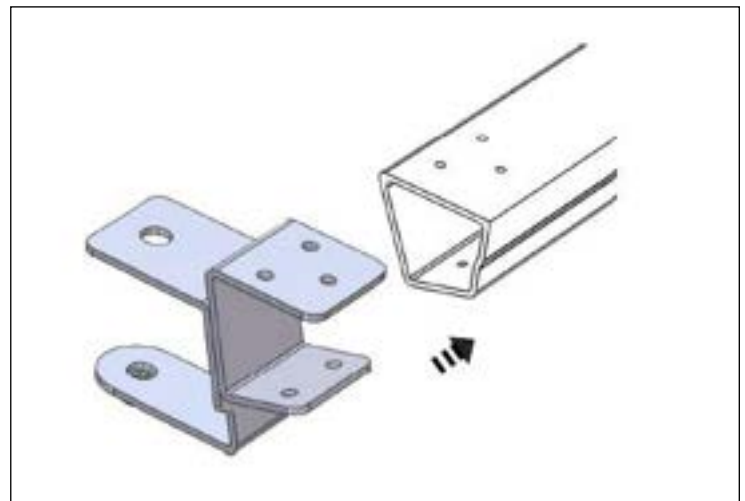
- Periodically check all components for tightness.
- Be sure to wear safety goggles while installing.
- When using power tools, read and understand all operating instructions.

Pre-Installation Requirements

- Remove existing hard or soft top. For OEM (original/factory) soft tops, also remove:
 - Side Door surrounds

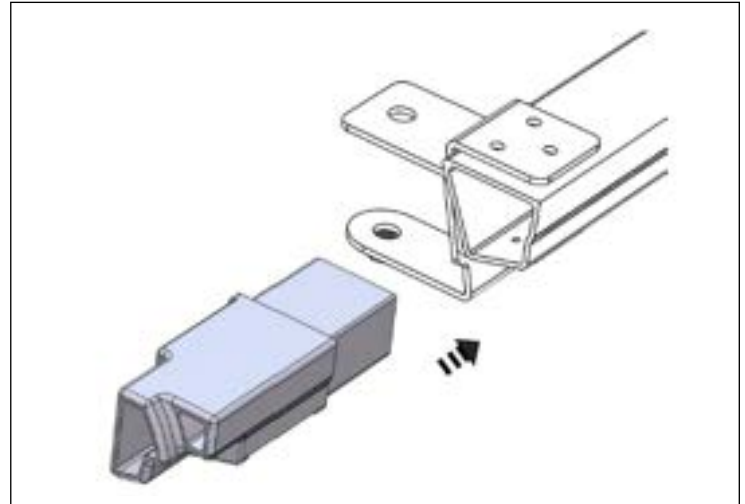
Important: For a smooth fit and ease of installation, this top should be installed at temperatures above 72 degrees. Below this temperature, the fabric may contract an inch or more making it difficult to install. We highly recommend taking your new Top out of the package and letting it sit inside a warm place or in direct sun light for 1-2 hours before you install the top. When warm, this top will install quickly.

1. Install driver's door surround. Slide Door Surround Front Bracket onto LH front door bar as shown below.

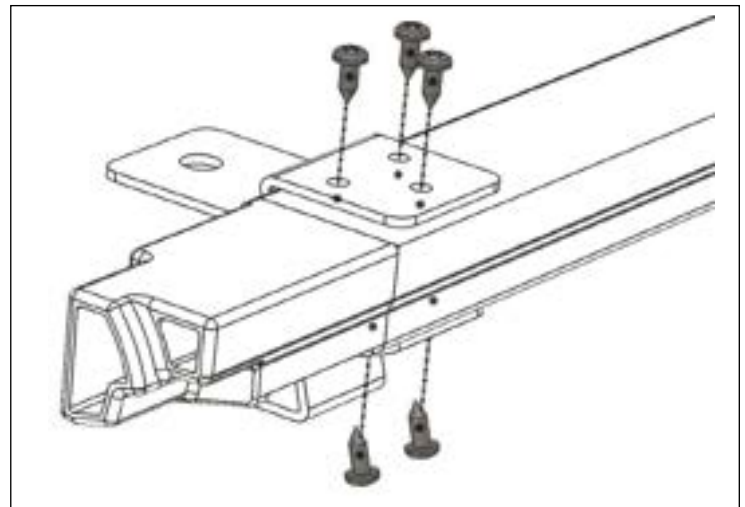


Voyager Top, Gladiator

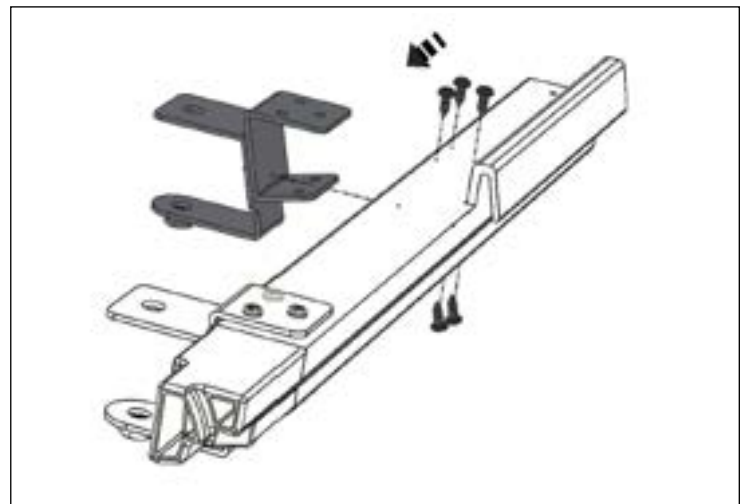
2. Push Front Plastic Adaptor into front door bar.



3. Secure all pieces with 5 self-tap screws.



4. Slide Door Surround Front Bracket (Middle) onto LH front door bar and secure with 5 self-tap screws.



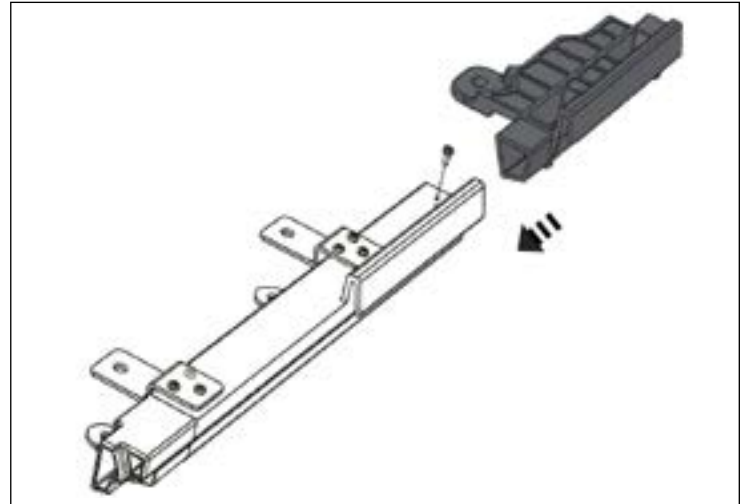


OMIX-ADA, Inc.

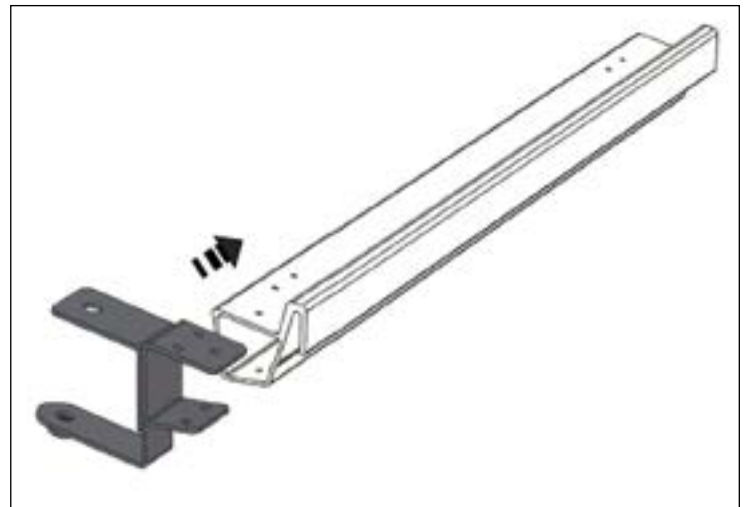
460 HORIZON DR. SUITE 400 | SUWANEE, GA 30024 | PHONE: 770-614-6101 | FAX: 770-614-6069 | info@omix-ada.com

Voyager Top, Gladiator

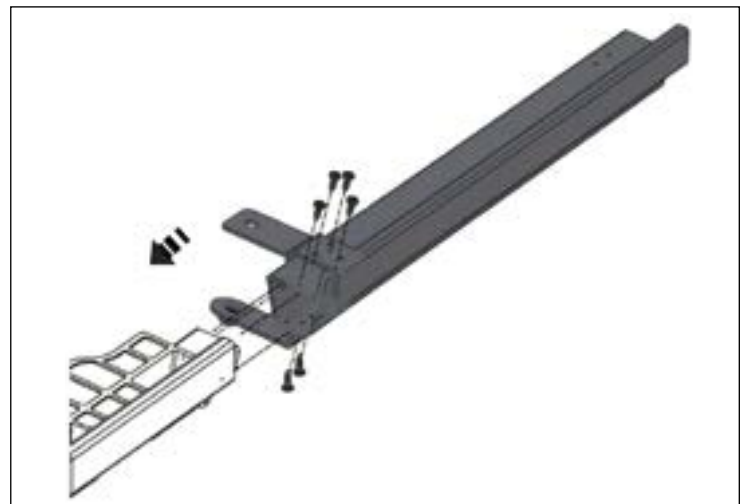
5. Install LH Middle Plastic Adaptor onto front door bar & secure all pieces with 1 self-tap screws.



6. Slide Front Rear Bracket onto LH Rear Door Bar as shown below.

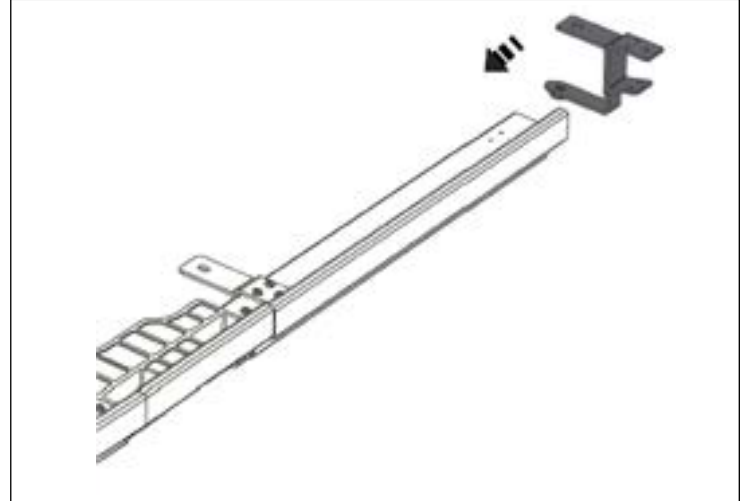


7. Install LH Rear Door Bar onto the adaptor & secure all pieces with 6 self-tap screws.

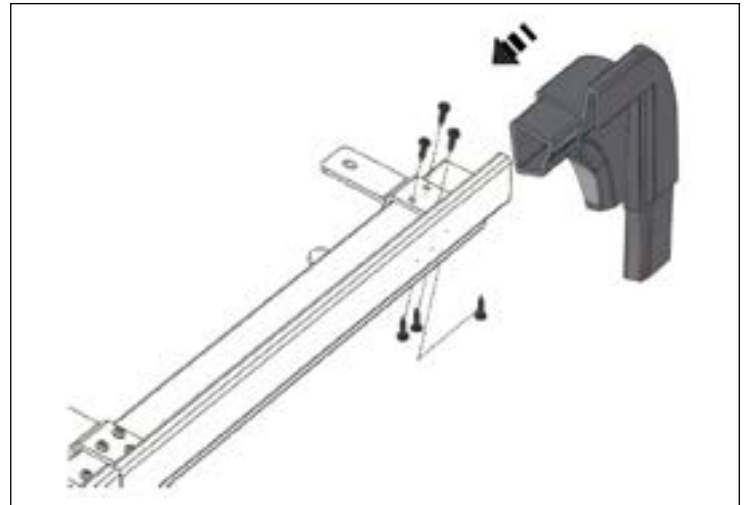


Voyager Top, Gladiator

8. Slide Rear Bracket onto LH Rear Door Bar as shown below.



9. Install LH Upper Corner onto LH Rear Door Bar & secure all pieces with 6 self-tap screws.



10. Install LH Upright onto LH Upper Corner and secure with Upright Turn Knob.

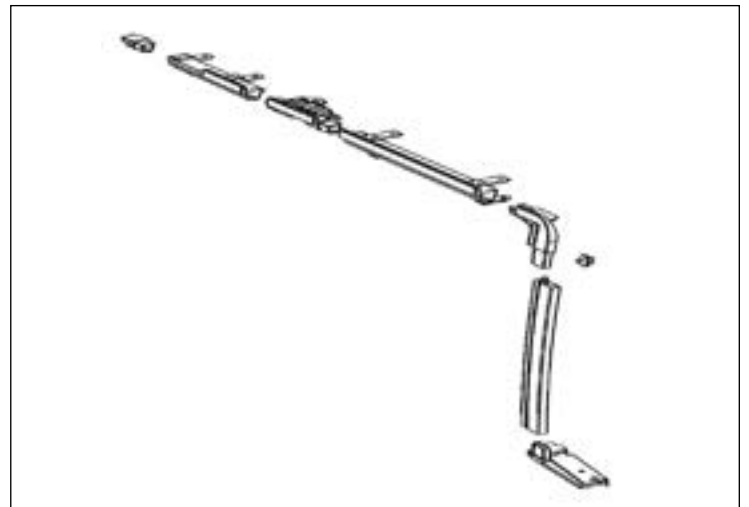


Voyager Top, Gladiator

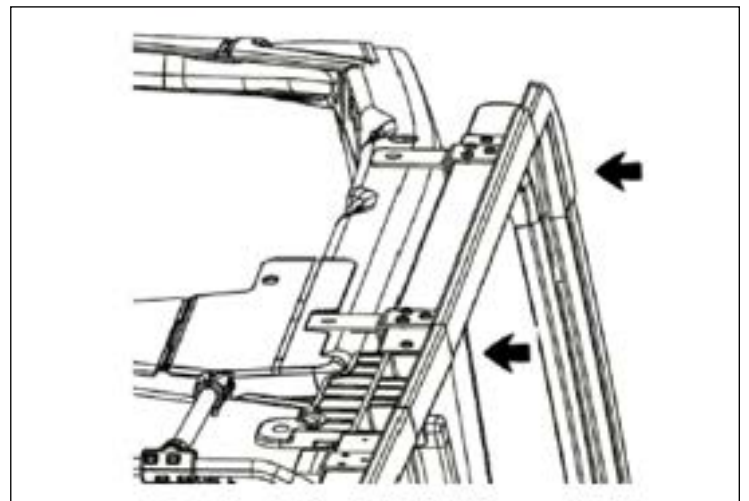
11. Install LH Upright Lower Plastic onto LH Upright and secure with 1 self-tap screw.



12. Repeat this section (steps 1-11) to assemble passenger's side door surround.

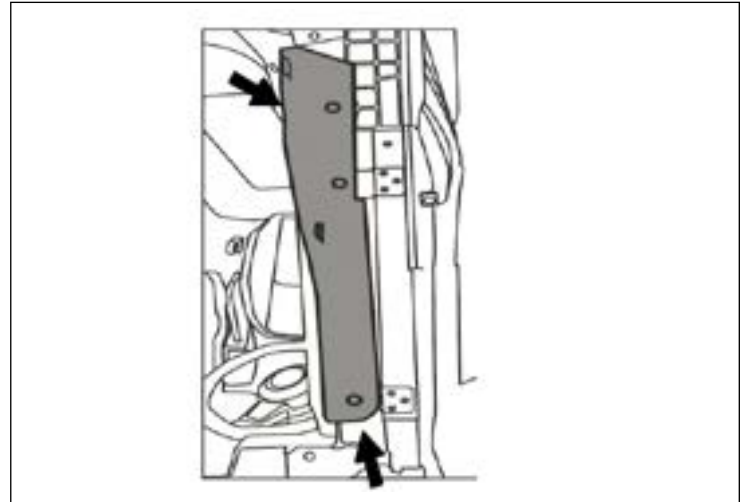


13. Position completed door surround onto the vehicle and fit the bracket over the roll bar.

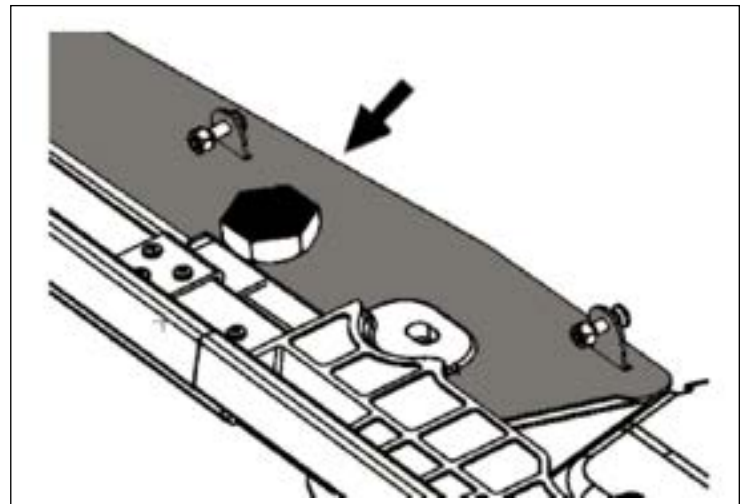


Voyager Top, Gladiator

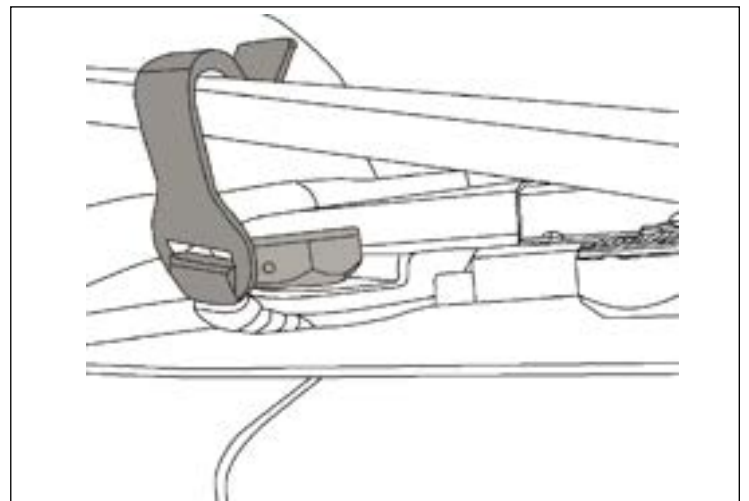
14. Fit LH Door Surround Mounting Plate on top of door surrounds.



15. Secure the mounting plate to the roll cage using turn-knobs in the holes. Do not fully tighten knob yet.



16. Fit top retention strap to driver side - between the hinge plate rear hole and the door surround bracket, and screw down with small knob.

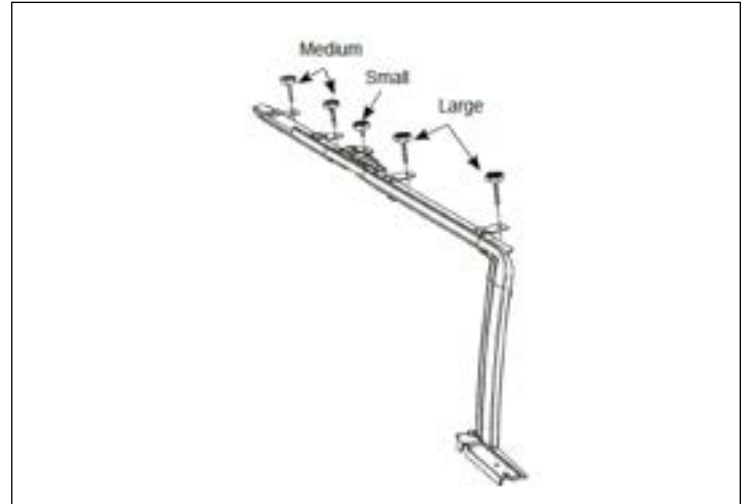




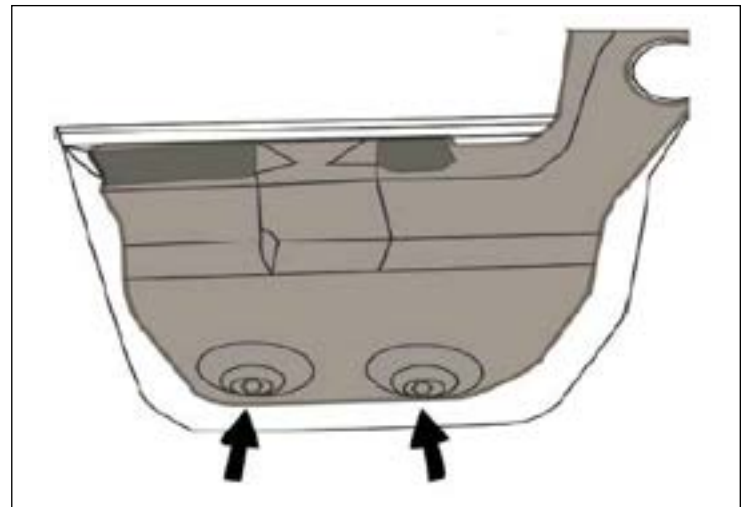
460 HORIZON DR. SUITE 400 | SUWANEE, GA 30024 | PHONE: 770-614-6101 | FAX: 770-614-6069 | info@omix-ada.com

Voyager Top, Gladiator

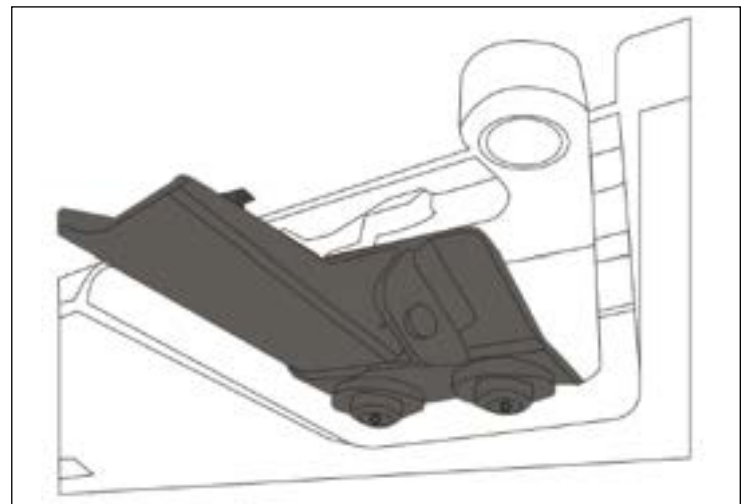
17. Tighten all door surround knobs into door surround assembly at this time. Repeat steps 13 through 16 on passenger side.



18. Using a Torx T40 bit to remove the latch bracket screws from the windshield on the bottom of the driver's and passenger's side. Save screws for re-use.



19. Place provided latch as shown and reattach with the screws from the previous step. Do not tighten the screws and adjustment may be needed. Repeat steps 19-20 for the other side.





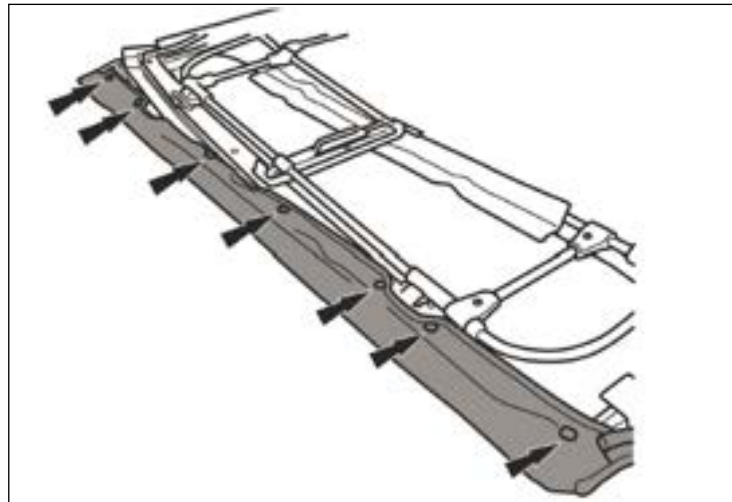
OMIX-ADA, Inc.

Part # 13595.14

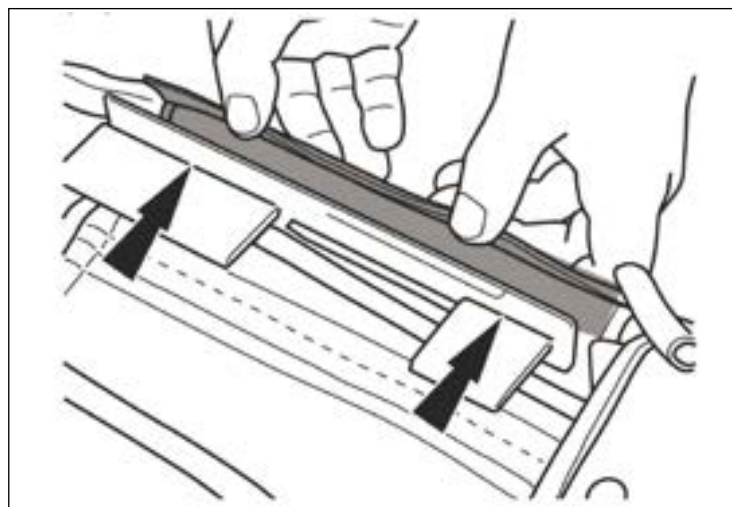
460 HORIZON DR. SUITE 400 | SUWANEE, GA 30024 | PHONE: 770-614-6101 | FAX: 770-614-6069 | info@omix-ada.com

Voyager Top, Gladiator

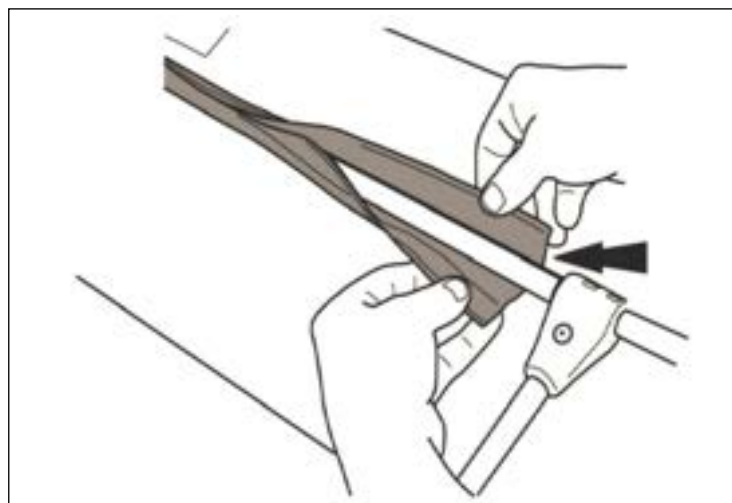
20. Fold back the hardware tubes of the header channel assembly then install the main deck fabric. Secure with snaps as shown.



21. Tuck the plastic strip behind latches and along side rails. See photo below for proper fit.

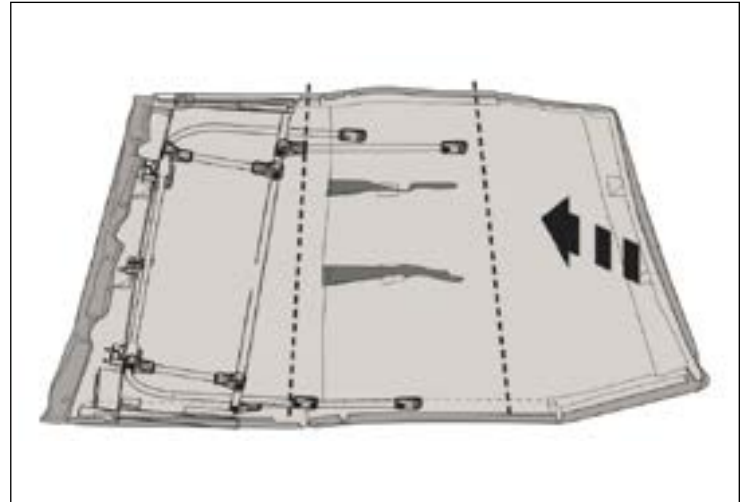


22. Secure the Flip Top Header Assembly to the Soft Top Deck by engaging the Hook and loop flap around the tube.

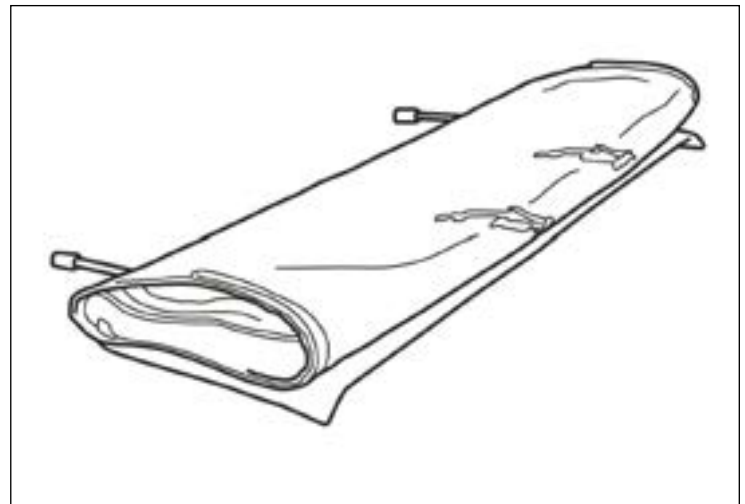


Voyager Top, Gladiator

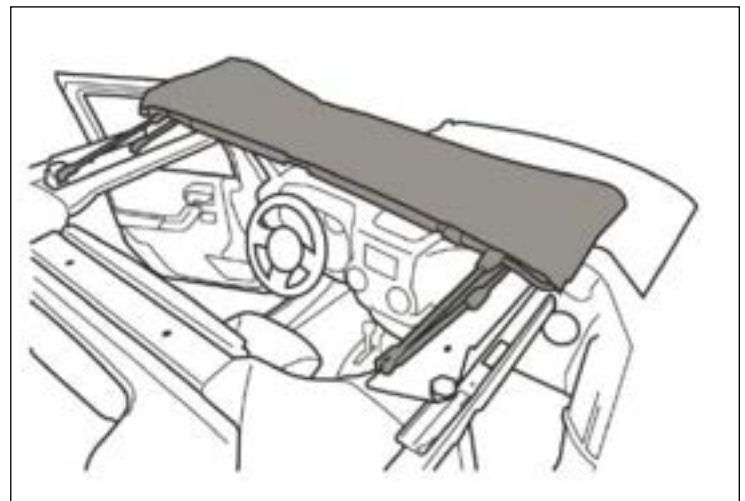
23. Roll up the Soft Top Deck to make installation to the Flip Top Plates more manageable.



24. **TIP:** It may be helpful to have a second person for this step. Place the top face down and re-fold, beginning with the rear portion.



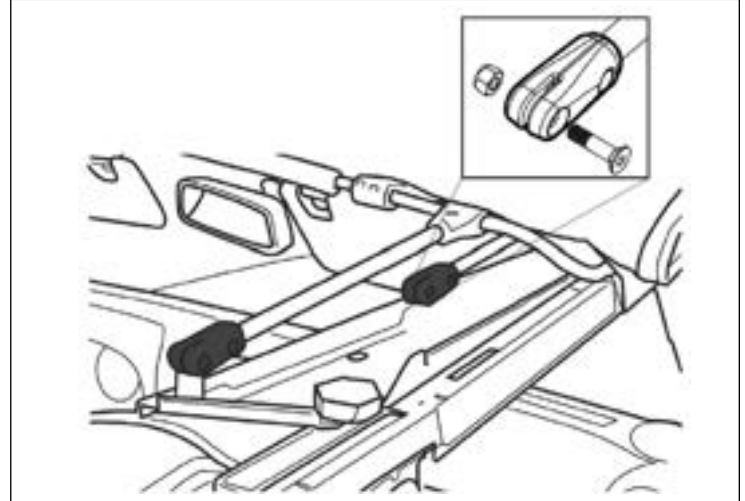
25. Lift the soft top and header channel assembly onto the windshield gasket.



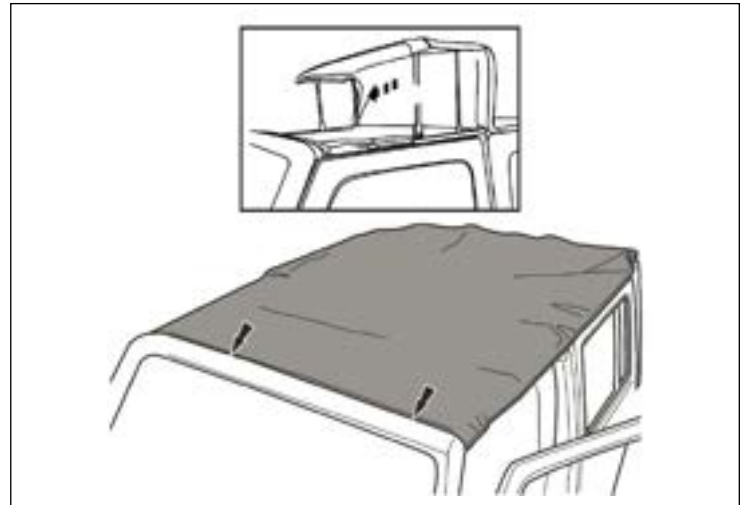
Voyager Top, Gladiator

26. Place pivot tubes over the mount hinge plate. Line up the brackets then secure with the counter-sink Allen head screw and nylon lock-nut.

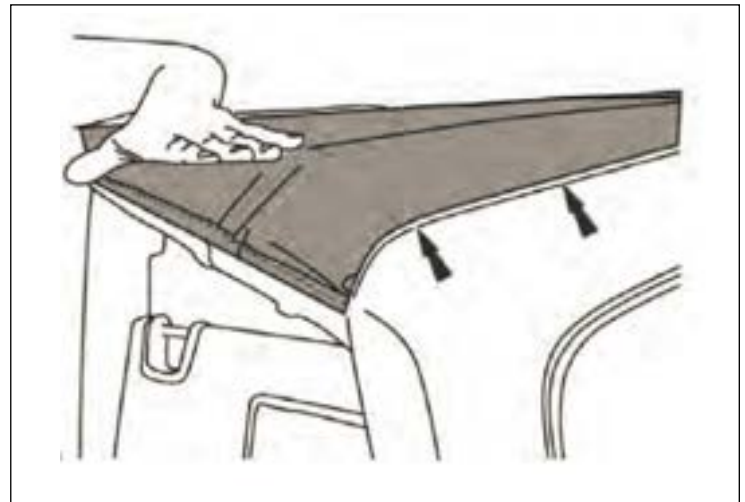
TIP: Lift up the main fabric for easier access to the brackets.



27. Unfold the soft top main deck fabric over the top of the roll cage and in place. Close the top toward the windshield.

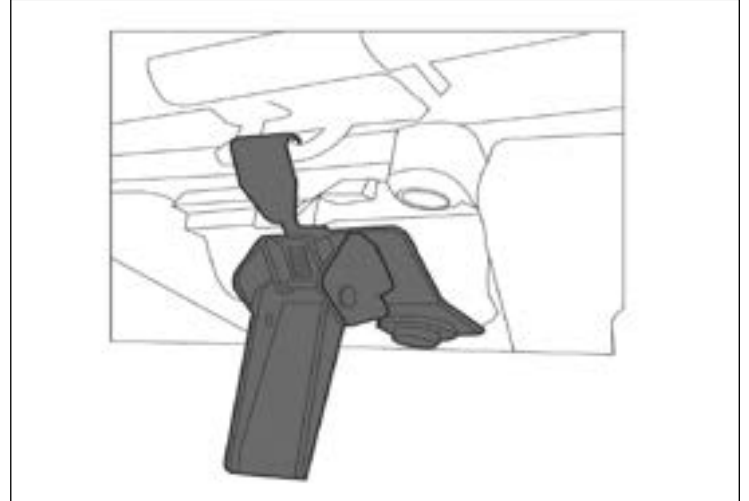


28. Check the front edge to windshield edge lines up to windshield seal.

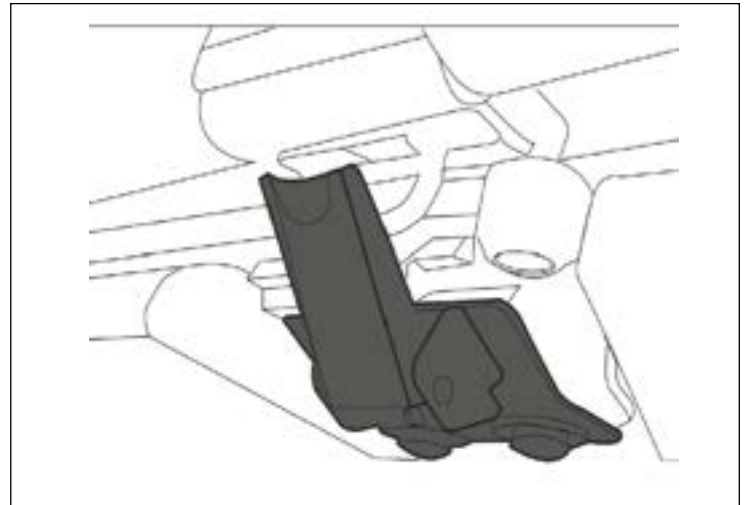


Voyager Top, Gladiator

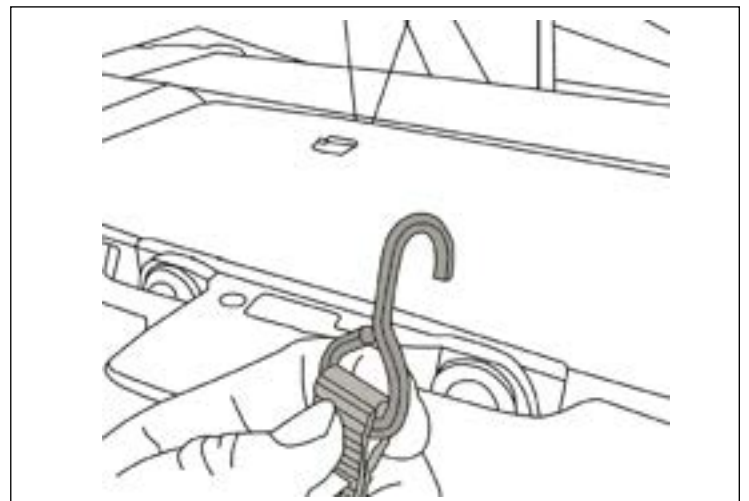
29. With both latches open as shown below, turn each hook until it grabs onto the soft top hoop with slight tension.



30. Close both latches and make sure both are snug, but not overly tight.

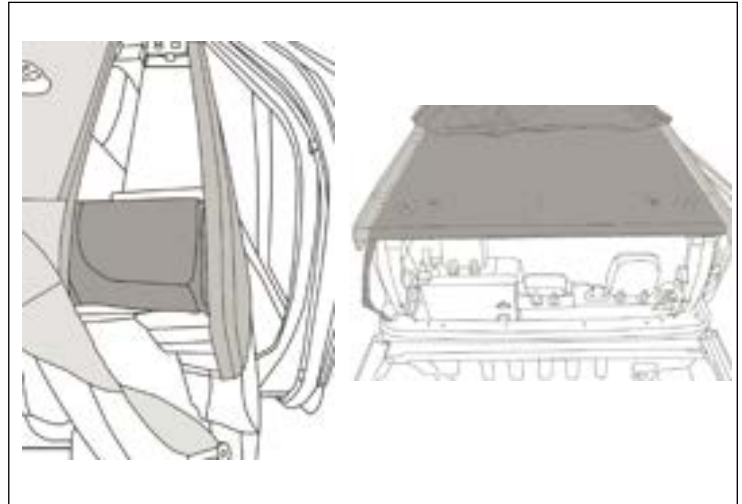


31. Wrap the 2 straps attached to the main section of fabric around the rear-middle of the sound bar. Hook into the holes of overhead brackets. Tighten the strap until snug.

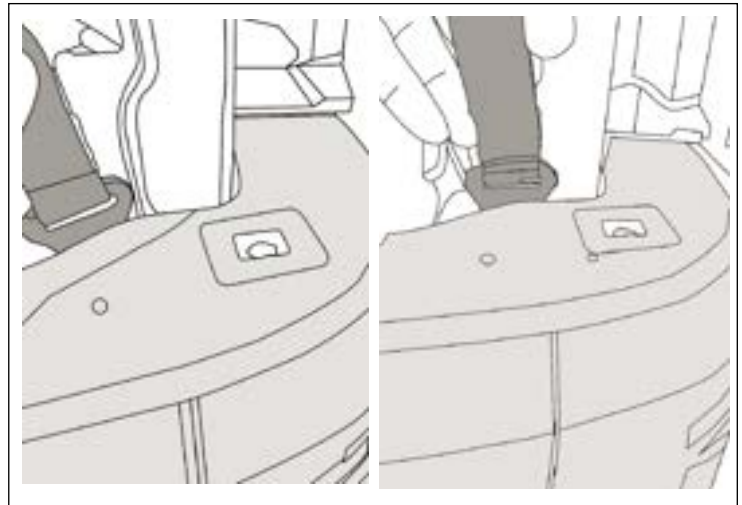


Voyager Top, Gladiator

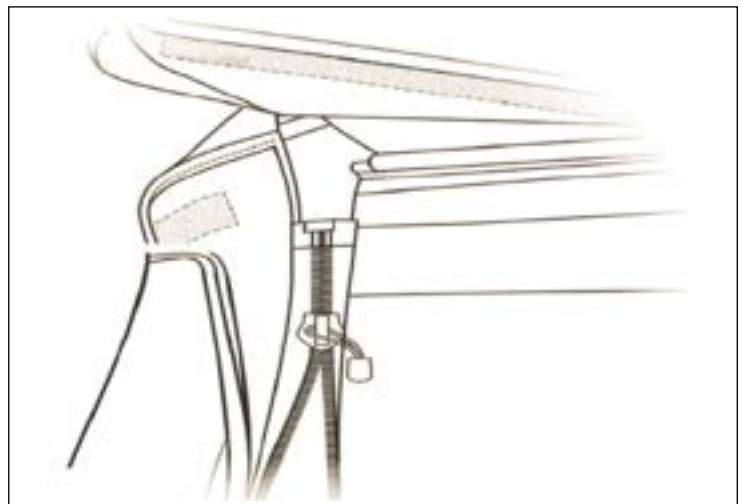
32. Locate the rear bow and insert into sleeve at rear of main skin, secure with hook and loop tab. Insert into tabs on PLASTIC UPPER CORNERS.



33. Install the hook on rear main straps to the inside of the tub-rail. The hook will slide between the tub-rail and the roll-bar. Now tighten strap.



34. Lift up the corners of the top fabric to expose the zippers on the side and rear windows. Secure all windows to the Main Deck by zipping fully into place.



Voyager Top, Gladiator

35. Locate the sewn-in plastic strip along the front edge of the Left Side Window.

Tuck the plastic strip into the vertical channel along the outside face of the LH Upright.



36. Tuck the plastic strip along the bottom edge of the Left Side Window under the Jeep belt rail, by rolling it up underneath the belt rail, beginning at the door, and working your way backward.

Repeat on the Right Side Window.

Care and Cleaning

Use mild soap and a dry, clean cloth to wash your Voyager Soft Top.

Do not use any harsh abrasive detergents or cleaning solvents of any kind.

Periodically check and lubricate moving parts.

