

INSTALLATION INSTRUCTIONS

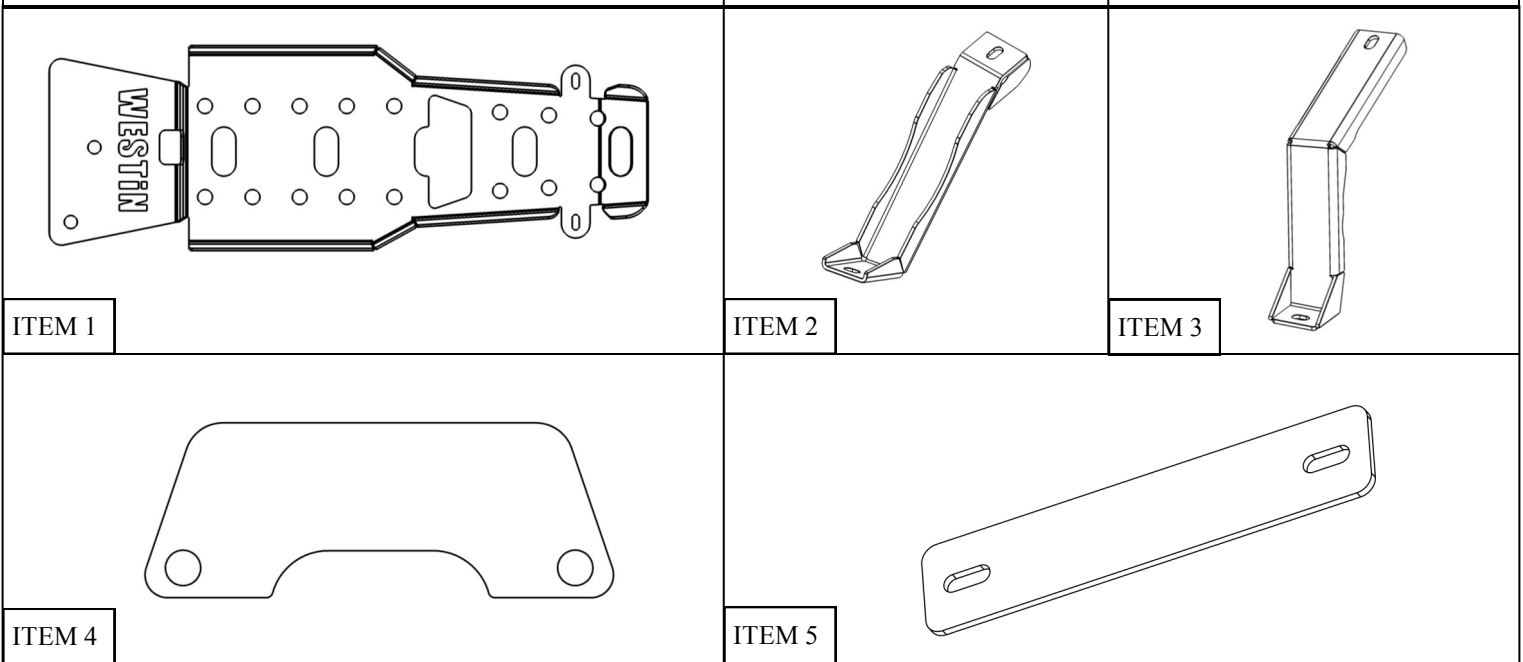
OIL PAN / TRANSMISSION SKID PLATE



APPLICATION:
Jeep Wrangler 2007-2011
PART NUMBER:
42-21125

CONTENT			
ITEM	QUANTITY	DESCRIPTION	TOOLS NEEDED
1	1	Skid Plate	18mm Socket
2	1	Bracket Passenger	Ratchet
3	1	Bracket Driver	Torque Wrench
4	1	Oil Drain Cover	13mm Socket
5	1	Support Plate	17mm Socket
6	2	M10 U-Nut	
7	2	M10 Hex Head Bolt 25 MM Long	
8	6	M10 Flat Washer	
9	4	M10 Hex Head Bolt 35 MM Long	
10	2	M10 Split Lock Washer	
11	2	M10 Serrated Flange Nut	
12	2	M12 Hex Head Bolt	
13	2	M12 Flat Washer	
14	2	M12 Split Lock Washer	

ANTI-SEIZE LUBRICANT MUST BE USED ON ALL STAINLESS STEEL FASTENERS TO PREVENT THREAD DAMAGE AND GALLING

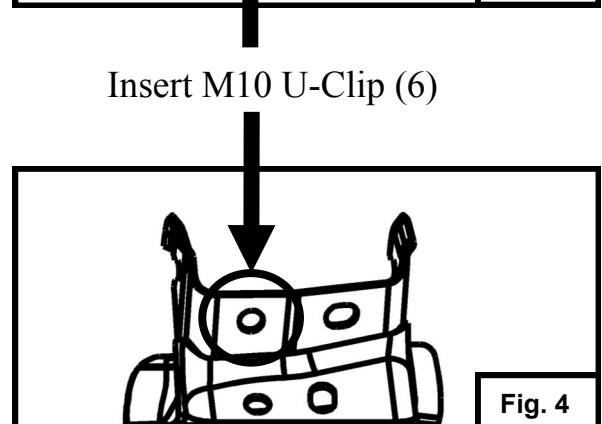
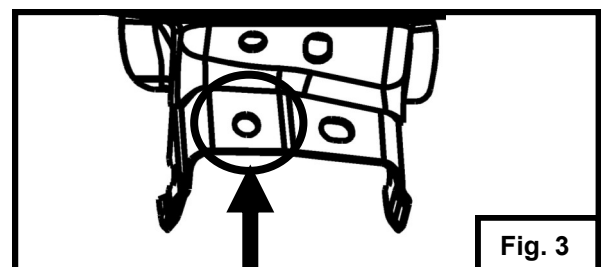
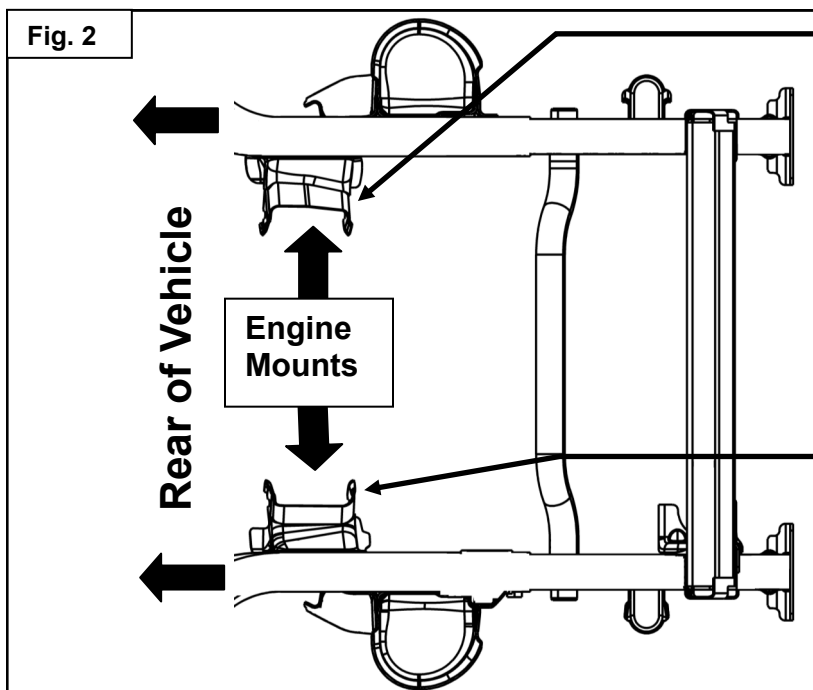
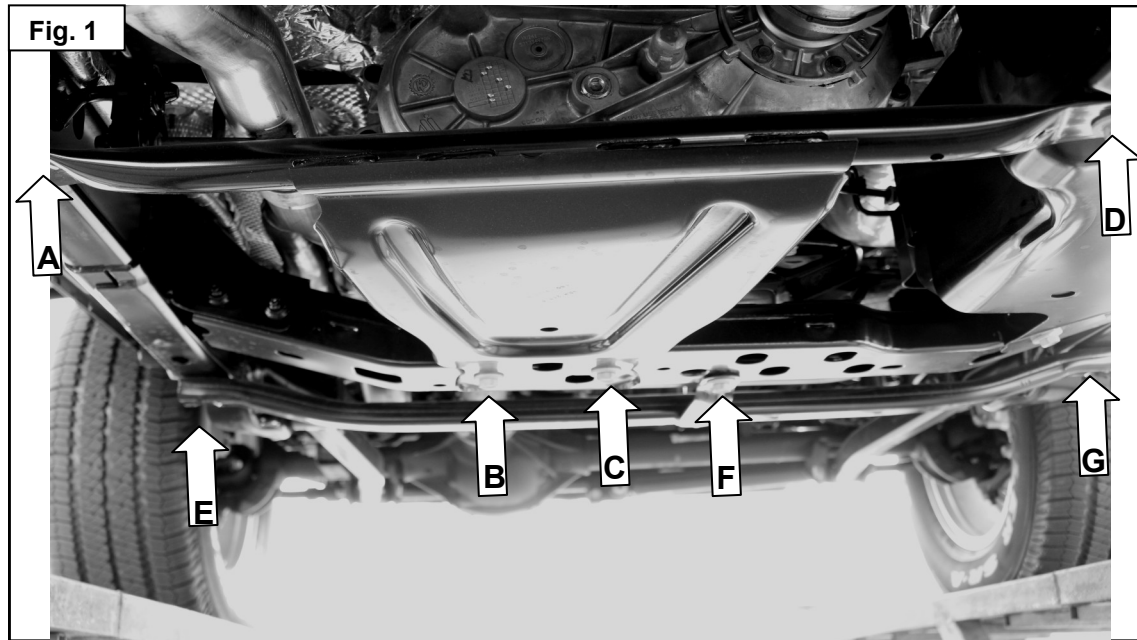


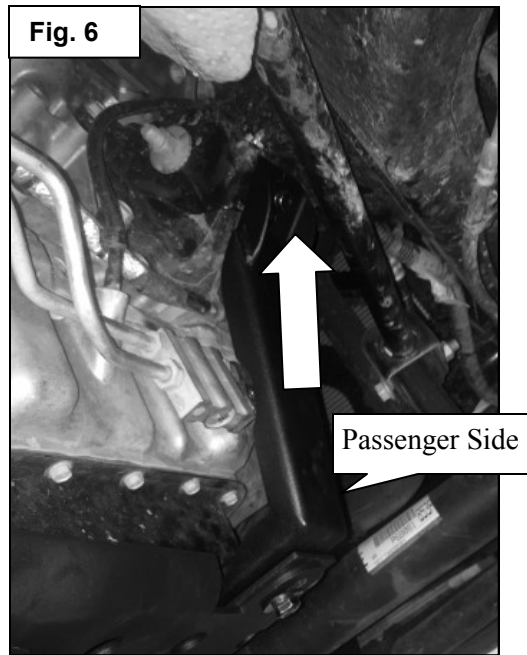
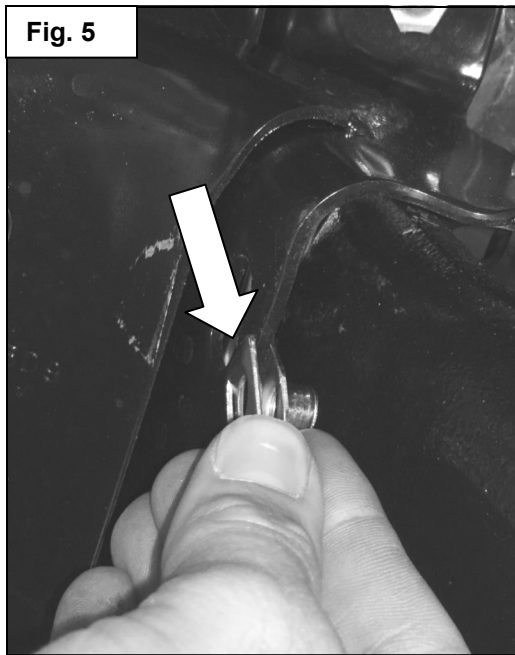
WESTIN Westin Automotive Products, Inc.
320 W. Covina Blvd
San Dimas, Ca. 91773

Thank you for choosing Westin products
for additional installation assistance please call
Customer Service (800) 793-7846
www.westinautomotive.com

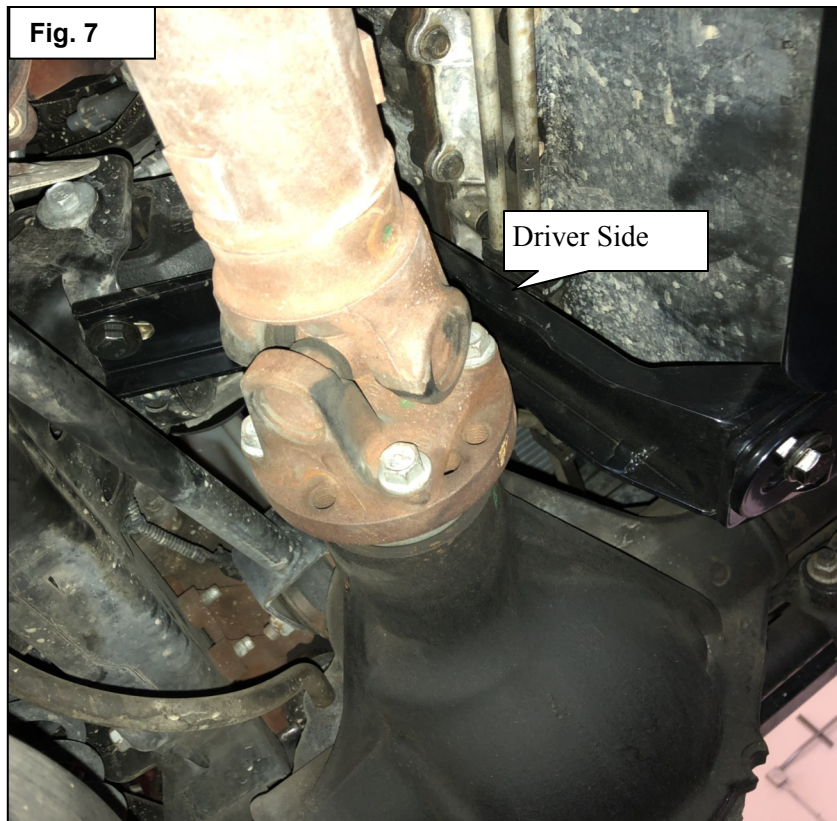
PROCEDURE

1. Remove contents from box, verify if all parts listed are present and free from damage.
(This skid plate can be installed by one person but it is highly recommended to have assistance of a second person.)
Failure to identify damage before installation could lead to a rejection of any claim.
2. Using an 18MM wrench, remove the four bolts (A to D) that hold the stock transfer case skid plate as well as the three bolts (E-G) for the skid bar to the vehicle. See **Figure 1**
3. Find engine mounts and insert M10 U-clips (6) according to **Figures 2, 3, 4, 5, & 6.**





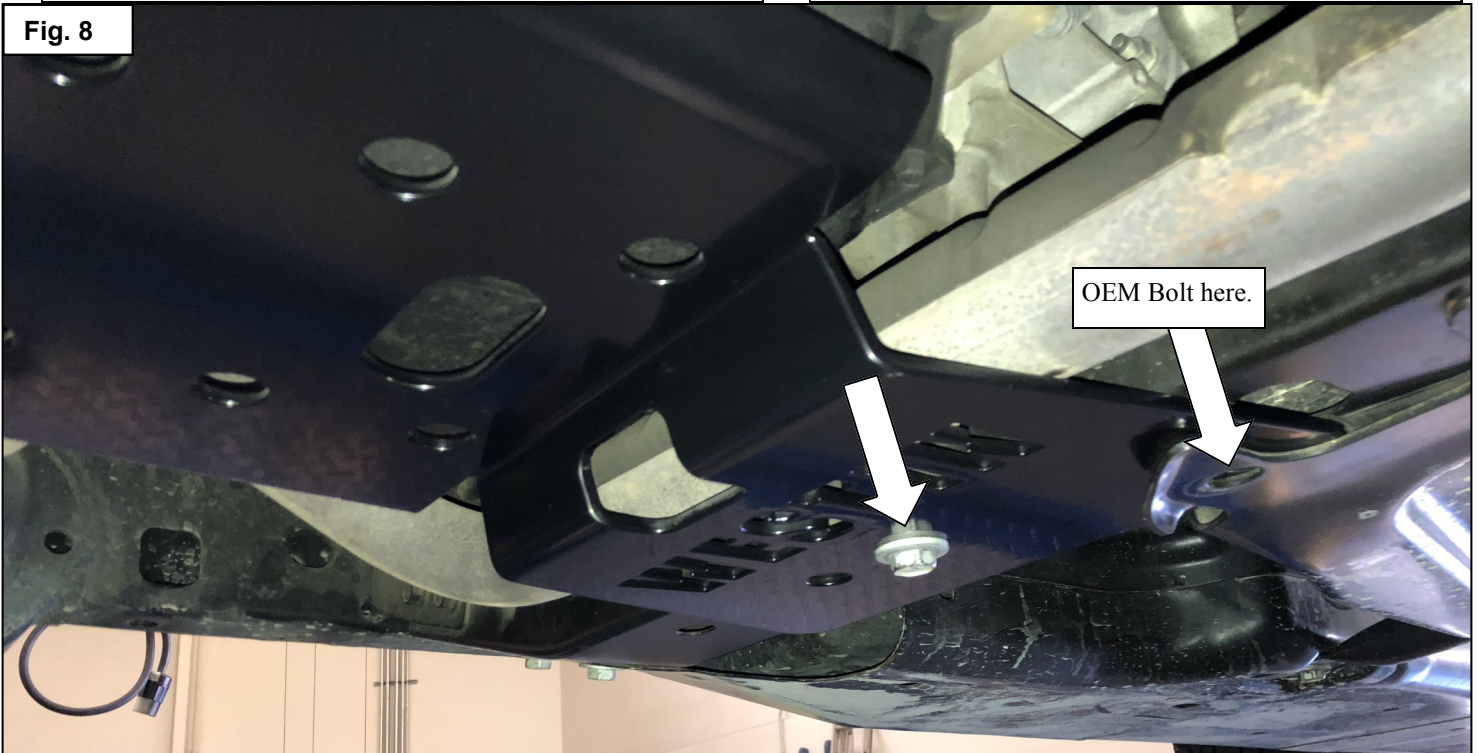
4. Proceed to mount both brackets (2 & 3) using supplied M10 hardware (7, 8 & 10) but do not tighten until the end. **Note:** Use the short M10 hex head bolts (7) to fasten the brackets to the vehicle, screwing them into the u-clips.



5. Bolt skid plate to cross member using stock bolt removed on **Step 2**. See **Fig. 8**. Do not tighten.

7. Re-install stock transfer case skid plate removed in **Step 2**. The stock skid bar will be left off. Use stock hardware and torque to 50-55 ft-lbs. See **Fig. 8**
Tighten all M8 hardware to 18-20 ft-lbs.
Tighten all M10 hardware to 35-40 ft-lbs.

Fig. 8



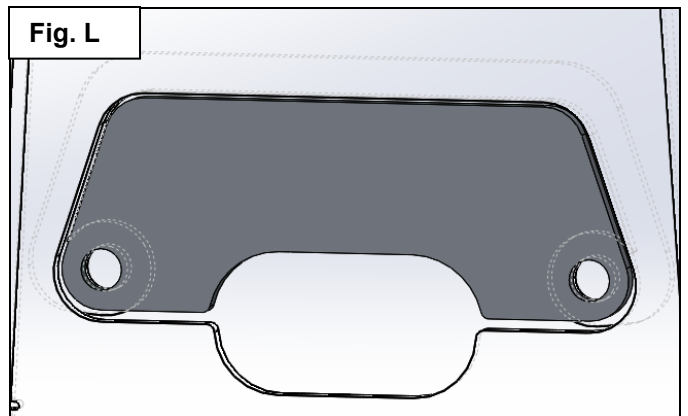
6. Using M10 hardware (8, 9, 11), bolt skid plate to brackets.
Note: Place support plate in between brackets and skid plate.
See **Fig J**

8. Install oil drain cover using M10 hardware (8, 9, 11) and tighten to 35-40 ft-lbs. Remove this cover at time of oil changes. See **Figure L**.

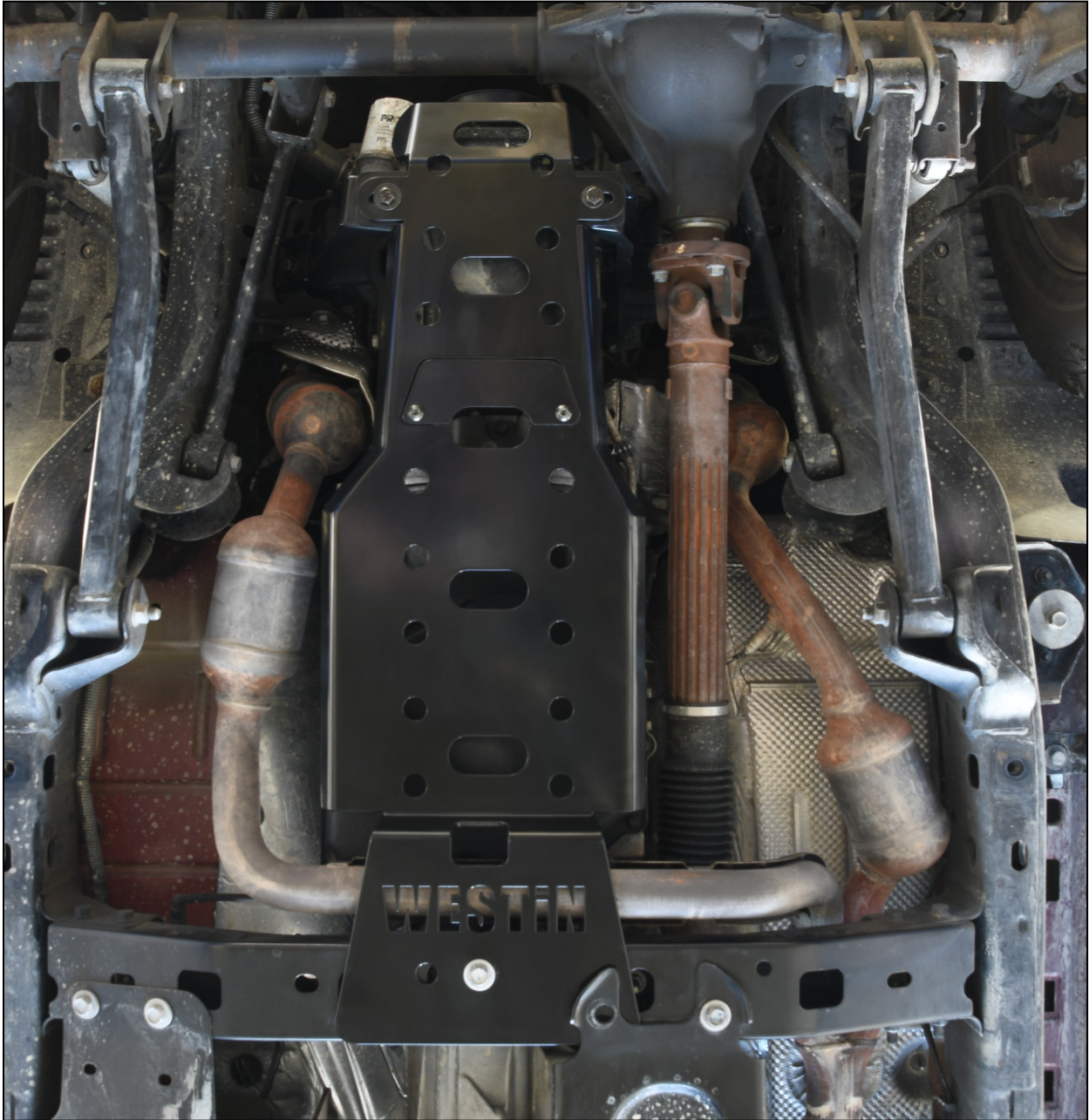
Fig. J



Fig. L



INSTALLATION COMPLETE



CARE INSTRUCTIONS

- REGULAR WAXING IS RECOMMENDED. DO NOT USE ANY TYPE OF POLISH OR WAX THAT MAY CONTAIN ABRASIVES.
- STAINLESS STEEL PRODUCTS CAN BE CLEANED WITH MILD SOAP AND WATER. STAINLESS STEEL POLISH SHOULD BE USED TO POLISH SMALL SCRATCHES.
- GLOSS BLACK FINISHES SHOULD BE CLEANED WITH MILD SOAP AND WATER.

WESTIN

Westin Automotive Products, Inc.
320 W. Covina Blvd
San Dimas, Ca. 91773

Thank you for choosing Westin products
for additional installation assistance please call
Customer Service (800) 793-7846

www.westinautomotive.com



WARNING



Failure to follow these instructions could lead to death, personal injury, and / or property damage.

Failure to follow these instructions could lead to death, personal injury, and / or property damage.

FASTENERS:

All Westin supplied fasteners must be utilized and installed in accordance with the installation instructions and apply torque to the specifications as defined. **DOUBLE CHECK ALL FASTENERS BEFORE INITIAL USE, AND PERIODICALLY IN THE FUTURE TO ENSURE PROPER FUNCTION AND SAFETY.**

DRILLING:

Most Westin products do not require drilling for installation. If drilling is defined as required, use caution when drilling a vehicle. **FAILURE TO REVIEW AN AREA TO BE DRILLED MAY RESULT IN PERSONAL INJURY AND/OR INJURY TO OTHERS AS WELL AS VEHICLE DAMAGE.**

EYE PROTECTION:

ALWAYS WEAR SAFETY GLASSES OR GOGGLES DURING THE INSTALLATION PROCESS TO AVOID PERSONAL INJURY.

MAXIMUM TOWING/CARRYING CAPACITY: (if applicable)

The Westin Receiver Hitches will have a visible tow rating label affixed directly on the product. User should never exceed the vehicle manufacturers maximum tow and weight rating regardless of the capacity of the hitch. **FAILURE TO FOLLOW THESE GUIDELINES WILL VOID THE WESTIN WARRANTY AND MAY RESULT IN PERSONAL INJURY AND/OR INJURY TO OTHERS AS WELL AS VEHICLE DAMAGE.**

FOR CALIFORNIA RESIDENTS ONLY-PROP 65 WARNING:

Some products may contain chemicals such as DEHP, which can cause cancer, birth defects or other reproductive harm. For more info go to www.p65warnings.ca.gov



Westin Automotive Products, Inc.
320 W. Covina Blvd
San Dimas, Ca. 91773