

PCAM-BS1



## Flexible Housing Self-Adhesive Blind Spot Camera User Manual



## Introduction

Thank you for purchasing your EchoMaster Pro automotive camera.

This manual covers the following part numbers:

- ▶ PCAM-BS1-P
- ▶ PCAM-BS1-N

EchoMaster Pro cameras are designed to improve safety during driving by providing high quality images of surrounding areas and obstacles in the vicinity of the vehicle. They will also improve vehicle maneuvering capability by displaying blind spots not normally visible to the driver.

Please ensure you read and understand all aspects of this manual before fitting or using your EchoMaster Pro Camera. Choose a suitable mounting place dependent on the application. Ensure that there are no wiring harnesses or hoses/pipes located behind this panel before drilling.

## Key Features

- ▶ 1/4" CMOS Sensor
- ▶ Operates at 0.1 LUX
- ▶ IP67 Rated
- ▶ 80 Degree Viewing Angle
- ▶ Self- Adhesive
- ▶ Angle Adjustment Tool
- ▶ Adjustable Camera Orientation

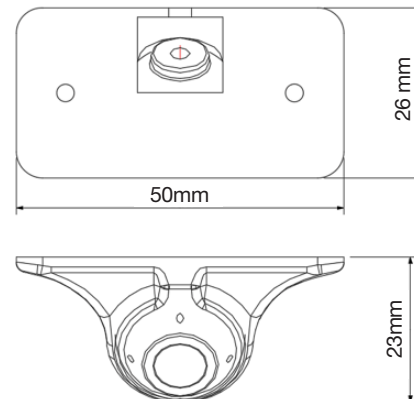
## Specifications

|                     | PCAM-BS1P   PCAM-BS1-N   |           |
|---------------------|--------------------------|-----------|
| Sensor              | 1/4" CMOS                |           |
| IR                  | 0                        |           |
| Illumination        | 0.1 LUX                  |           |
| Viewing Angle       | 80 degrees               |           |
| Mirror Image        | Yes                      |           |
| Normal Image        | Yes                      |           |
| Water/Debris-Proof  | IP67                     |           |
| Audio               | No                       |           |
| Power Supply        | 9-16V DC                 |           |
| Current             | 70mA                     |           |
| Working Temperature | -30°C - +70°C            |           |
| Dimensions (mm)     | D (26) x W (50) x H (23) |           |
| System              | PAL                      | NTSC      |
| TV Lines            | 420                      | 420       |
| Resolution (HxV)    | 648 x 448                | 648 x 448 |

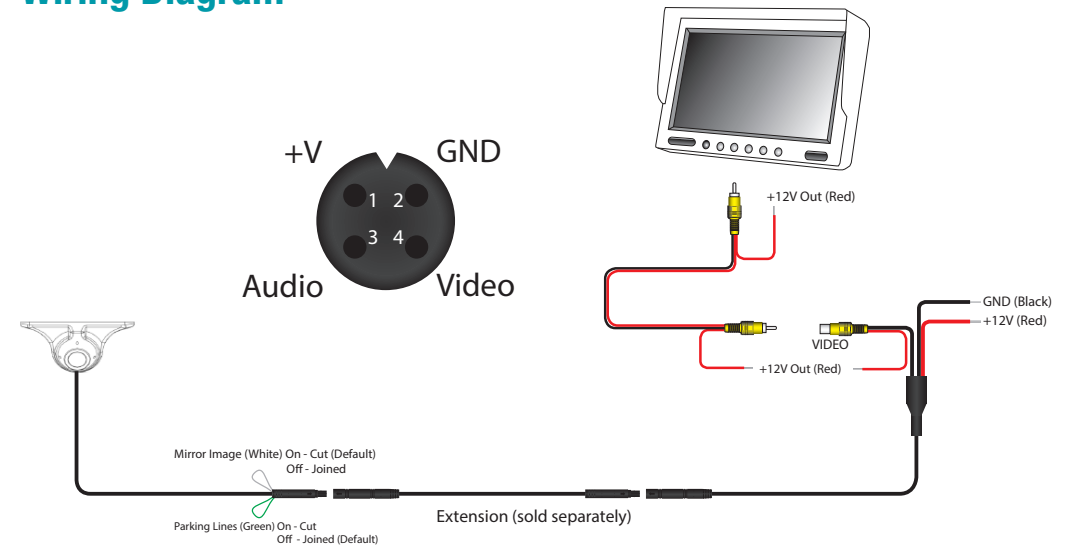
## Box Contents

- ▶ Blind Spot Camera
- ▶ Mounting Hardware
- ▶ Manual
- ▶ U-Shaped Camera Angle Adjustment Tool

## Dimensions (mm)



## Wiring Diagram



EchoMaster is a Power Brand of AAMP Global  
EchoMaster.com



15600 Lightwave Drive, Suite 202  
Clearwater, Florida 33760  
email - support@aampglobal.com (US)  
email - technical.eu@aampglobal.com (Europe)

