

# TACTIK® Rear Bumper

Installation Manual for 2007 - Current Wrangler (JK)

#12052.0002



**⚠ WARNING ⚠**

**TO REDUCE RISK OF SERIOUS INJURY OR PROPERTY DAMAGE: READ ALL SAFETY MESSAGES AND UNDERSTAND ALL INSTRUCTIONS AND PROCEDURE *NOTICES* BEFORE ATTEMPTING TO INSTALL OR USE THIS PRODUCT.**

**⚠ CAUTION ⚠**

**RISK OF EYE INJURY! SAFETY GLASSES MUST BE WORN AT ALL TIMES WHILE INSTALLING OR MAINTAINING THIS PRODUCT. TORQUE AND RECHECK FASTENERS AFTER 250 MILES AND FREQUENTLY THEREAFTER. INSPECT BUMPER, WINCH AND MOUNT BEFORE USE. DO NOT USE IF DAMAGED.**

**NOTICE**

**CHECK STATE AND LOCAL HIGHWAY SAFETY LAWS REGARDING PERMITTED BUMPER TYPES AND HEIGHTS.**

**TACTIK®**

**A Few Words About Product Safety:**

Your TACTIK® product is intended to enhance the utility and enjoyment of your off road capable vehicle. Before installation, please review the following safety information and installation recommendations.

Throughout these instructions important safety information is generally preceded by one of three signal words indicating the relative risk of injury, property damage or adverse consequence. **The signal words mean:**

<b>⚠ WARNING ⚠</b>	a hazardous situation which, if not avoided, could result in death or serious injury. You CAN be KILLED or SERIOUSLY HURT if you don't follow instructions.
<b>⚠ CAUTION ⚠</b>	a hazardous situation which, if not avoided, could result in minor or moderate injury. You CAN be moderately HURT and also may suffer property damage if you don't follow instructions.
<b>NOTICE</b>	Careful attention is required to this instruction or operation but does generally not relate to personal injury. Damage to your TACTIK product or other property may result if you don't follow instructions.

**Before You Begin Installation:**

Congratulations on your purchase of TACTIK® Rear Bumper for your Jeep® Wrangler. This custom fit rear Bumper has been designed for long life and a great look. Though constructed of only the finest materials, this bumper must be maintained to keep its look while performing under the toughest conditions. Please see below for important care and maintenance tips to keep your bumper

looking like new. When unpacking, check to make sure all parts are included and not damaged due to shipping. If any part is missing or broken, please call Customer Service at 800-745-6037 as soon as possible.

Thank you again for your purchase and let's start the installation process.

**TACTIK Bumper Care and Maintenance:**

Your Bumper has been designed and manufactured to provide years of use. However, like any product, general maintenance is required to keep it looking new.

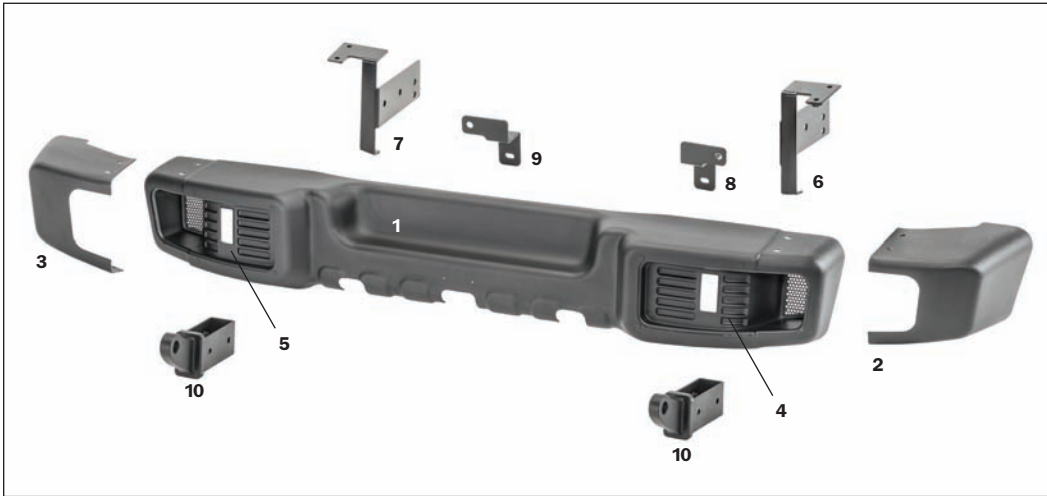
Since the bumper is located on the rear of the vehicle, it is subject to potential rock chips and other debris potentially causing portions of the paint to chip off. We recommend using a textured or gloss black spray paint sprayed on a piece of cardboard and Q-Tip to gently fill in

these chips. This will prevent any rust from forming. On all bumpers there is a chance of some surface rust showing over time due to metal particles being embedded in the paint. This surface rust is easily removed by a non-abrasive cleaner/ polish and a soft bristle brush (not a metal brush!).

For bumpers with a textured finish, wash only with soapy water and avoid other waxes and polishes.



**TACTIK Rear Bumper Parts List:**

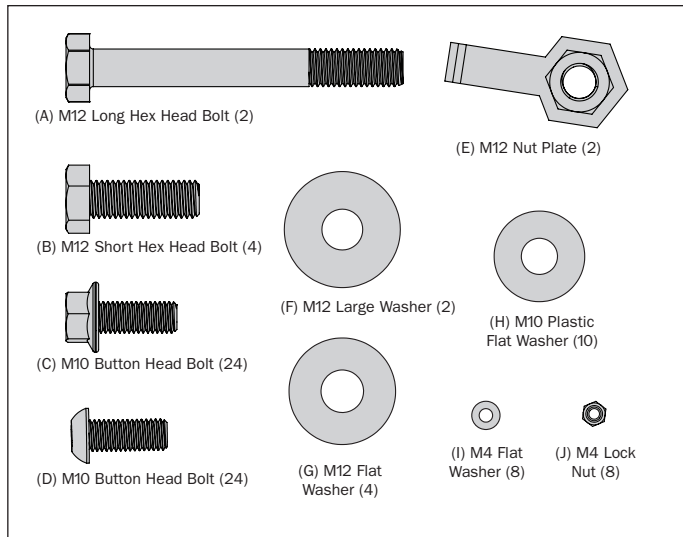


**BUMPER PARTS LIST:**

1. Bumper Center Section - QTY 1
2. Bumper End - RH - QTY 1
3. Bumper End - LH - QTY 1
4. Plastic Cover - RH - QTY 1
5. Plastic Cover - LH - QTY 1
6. Side Bracket - RH - QTY 1
7. Side Bracket - LH - QTY 1
8. Center Bracket - RH - QTY 1
9. Center Bracket - LH - QTY 1
10. D-Ring Brackets - QTY 2

**BUMPER HARDWARE LIST:**

- (A) M12 Long Hex Head Bolt - QTY 2
- (B) M12 Short Hex Head Bolt - QTY 4
- (C) M10 Flange Bolt - QTY 2
- (D) M10 Button Head Bolt - QTY 24
- (E) M12 Nut Plate - QTY 2
- (F) M12 Large Washer - QTY 2
- (G) M12 Flat Washer - QTY 4
- (H) M10 Plastic Flat Washer - QTY 10
- (I) M4 Flat Washer - QTY 8
- (J) M4 Lock Nut - QTY 8



**REQUIRED TOOLS:**

- Safety Glasses
- 6mm Allen Wrench
- 8mm Socket
- 16mm Socket
- 17mm Socket
- 18mm Socket
- 19mm Socket



**ALWAYS WEAR SAFETY GLASSES DURING INSTALLATION.  
FOLLOW ALL SAFETY PROCEDURES.**



**TACTIK Installation Preparation:**

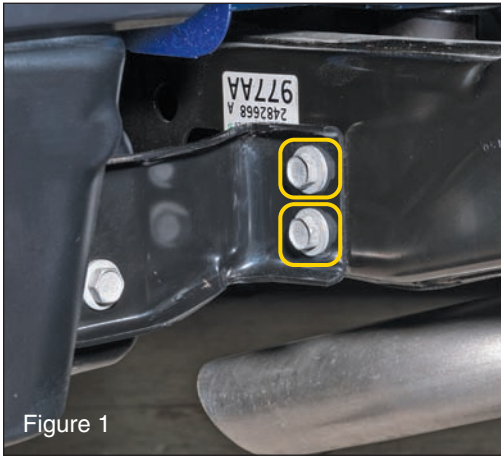


Figure 1

**Caution:** Put on safety glasses. Remove spare tire from vehicle. Remove the four M10 bolts (2 per side) holding the rear bumper brackets to the frame using a 16mm socket. (see FIG1)

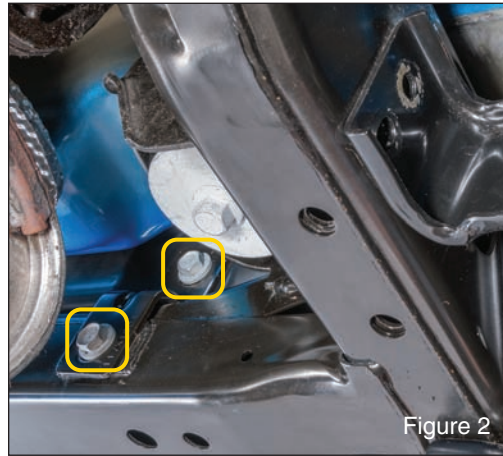


Figure 2

Remove the four M10 bolts holding the rear bumper support brackets to the frame using a 16mm socket. (see FIG2) Remove bumper from vehicle.

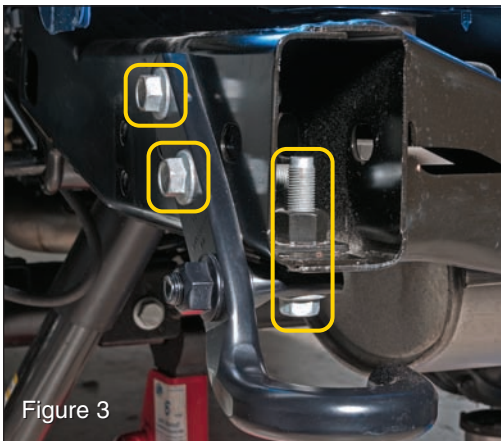


Figure 3

If equipped, remove original recovery hook using a 18mm socket. Discard. (see FIG3)

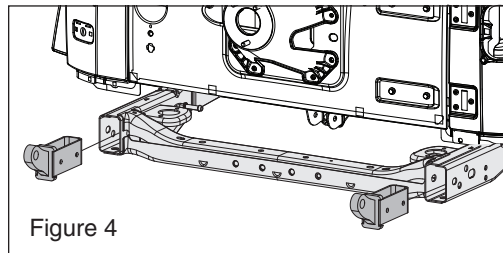


Figure 4

Insert the D-ring brackets into the frame horns. (see FIG4)

**NOTE:** The Interior of frame horns may require extra clearance on some vehicles for D-ring brackets to be inserted.

**NOTICE**

**THE INSIDE OF FRAME HORNS MAY NEED EXTRA CLEARANCING TO INSERT D-RINGS.**

**TACTIK**

**TACTIK Installation Preparation:**

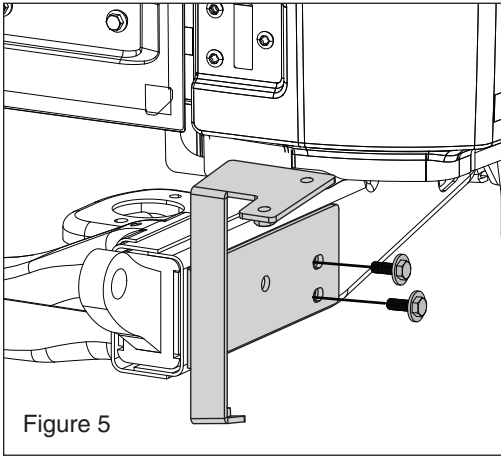


Figure 5

*Install side brackets using the original M10 bolts in the two slotted locations. Do not tighten at this time. (see FIG5)*

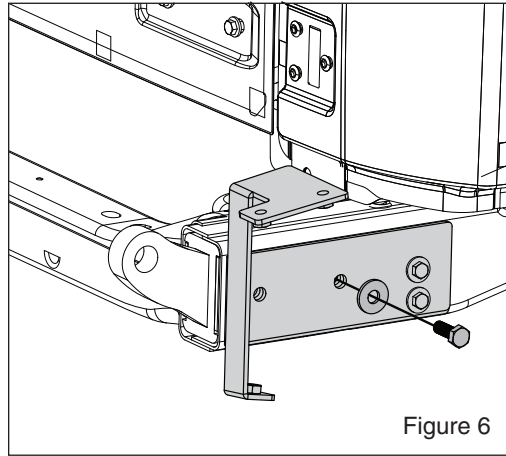


Figure 6

*Insert M12 hex head bolt and M12 small washer to center hole of side bracket using a 19mm socket. Do not tighten at this time. (see FIG6)*

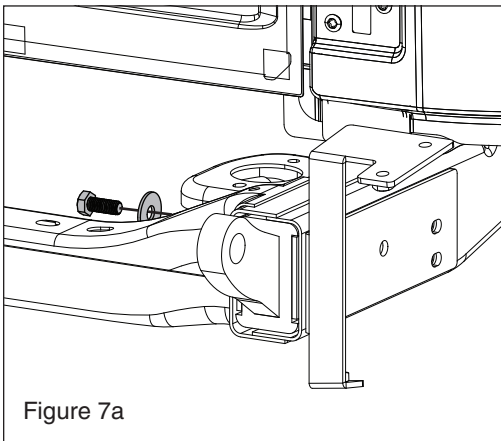


Figure 7a

*Insert M12 hex head bolt and M12 larger washer to rear inside hole of D-ring bracket using a 19mm socket.*

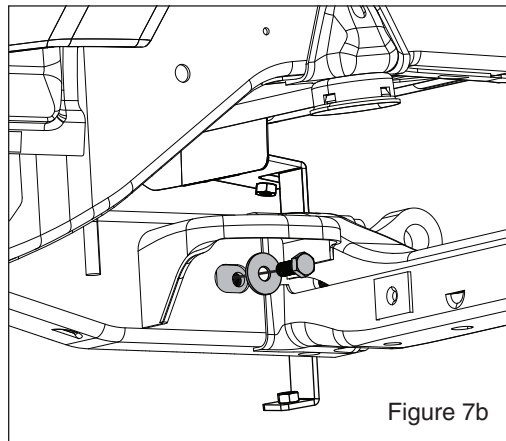


Figure 7b

*Do not tighten at this time. (see FIGS 7a and 7b)*

**TACTIK**

**TACTIK Rear Installation:**

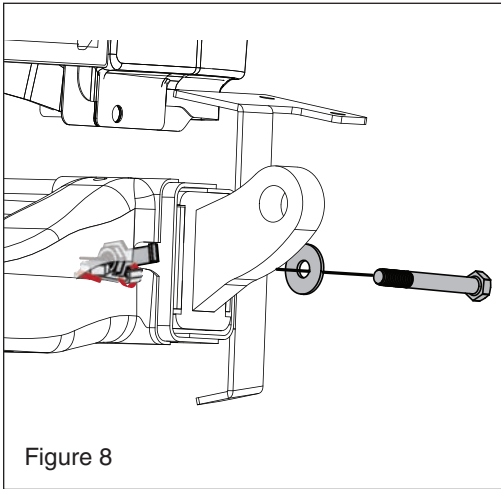


Figure 8  
*Insert M12 Long hex head bolt, small washer and nut plate into remaining holes of side bracket using a 19mm socket. (see FIG8)*

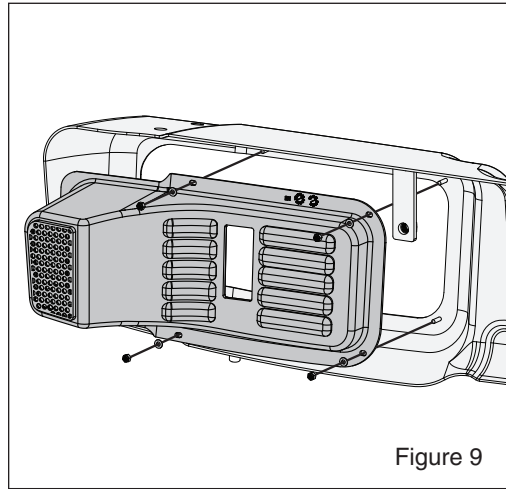


Figure 9  
*Install plastic covers on the rear bumper using M4 washers and lock nuts using a 8mm socket. (see FIG9)*

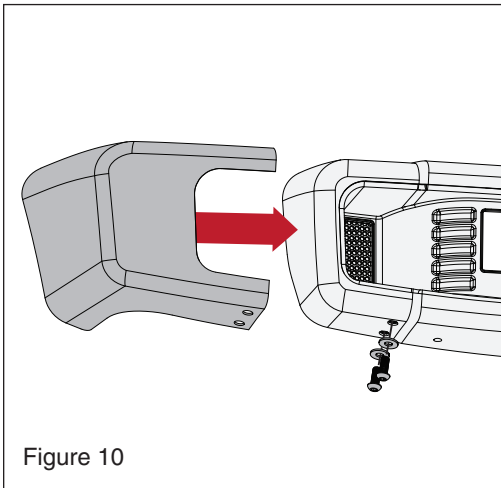


Figure 10  
*Attach bumper ends on the rear bumper using lower M10 Button head bolts and plastic washers using a 6mm allen wrench. (see FIG10)*

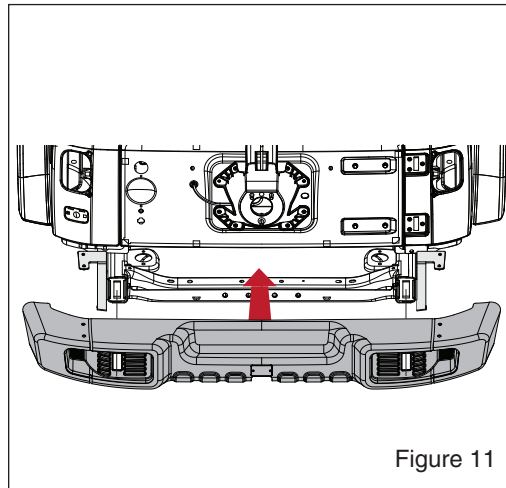
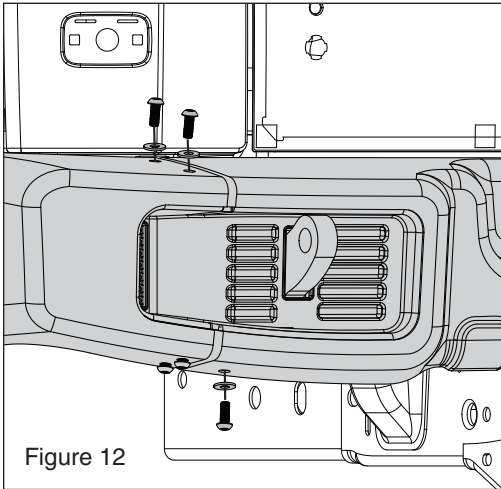


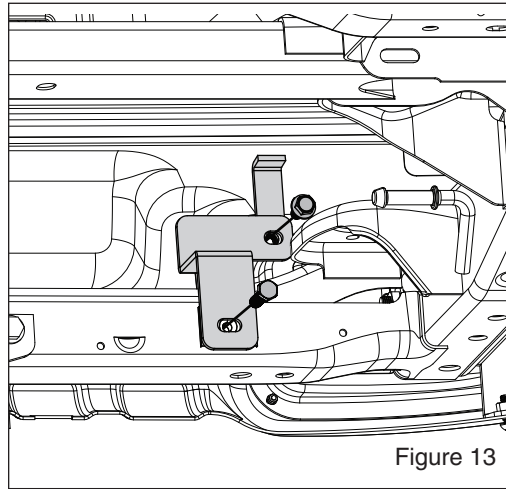
Figure 11  
*Place rear bumper on rear frame of vehicle, aligning holes of side brackets with top bumper end mounting points. (see FIG11)*

**TACTIK**

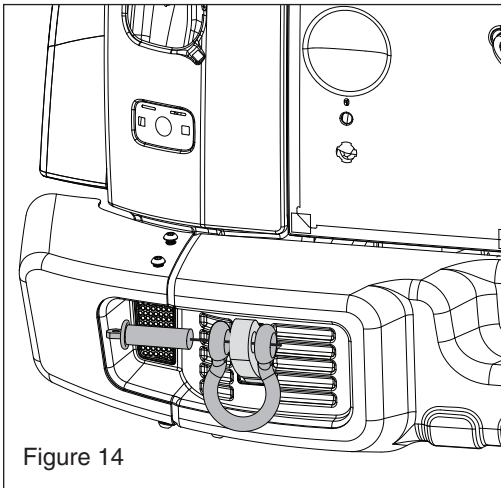
**TACTIK Rear Installation:**



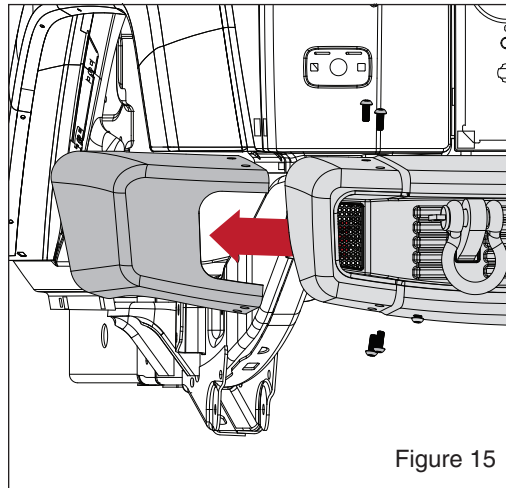
Secure top two and single bottom mounting points using M10 button head bolts and plastic washers using a 6mm allen wrench. Do not tighten at this time. (see FIG12)



Install center support brackets to flange inside of bumper shell with provided M10 Flange head bolts in top hole using a 17mm socket. Use original M10 bolt in lower hole. (see FIG13) NOTE: for easier install, loosely thread in top bolt first.



Adjust and tighten all bolts. Install shackles (not included) if desired (see FIG14) and the spare tire.



If desired, bumper end caps may be removed from bumper by removing M10 button head bolts, removing ends and reinstalling the M10 bolts. (see FIG15)

**TACTIK**

# TACTIK® Exclusive Five Year Limited Warranty

Your TACTIK® branded accessories are covered by the following **Limited Warranty** provided exclusively by the TACTIK® Division of Quadratic, Inc. 1028 Saunders Lane, West Chester PA 19380.

This **Limited Warranty** is the only warranty made in connection with your purchase. TACTIK® neither assumes nor authorizes any vendor, retailer or other person or entity to assume for it any other obligation or liability in connection with this product or **Limited Warranty**.

**What is Covered:** Subject to the terms, exclusions and limitations herein and with respect only to TACTIK® branded accessories first sold in the United States, TACTIK® warrants to the initial retail purchaser only that your TACTIK® accessory shall be free of defects in material and workmanship: **for a period of five (5) years from date of retail purchase.**

This **Limited Warranty** is not assignable and shall terminate upon sale of the vehicle upon which the TACTIK® accessory is installed or other transfer third persons.

All other warranties are hereby disclaimed, except to the extent prohibited by applicable law in which case any implied warranty of merchantability or fitness for a particular purpose on this product is limited to 3 year from date of initial retail sale. TACTIK® reserves the rights to: (a.) require invoice or other proof your accessory is within the terms of this **Limited Warranty** as a condition of warranty service and, (b.) make future revisions to this product and **Limited Warranty** without prior notice or obligation to upgrade your product.

**What is Not Covered:**

Your TACTIK® **Limited Warranty** does not cover products or parts TACTIK® determines to have been damaged by or subjected to: (a.) installation damage, alteration, modification, combination with other parts, failure to

maintain or improper repair or service, (b.) normal wear & tear, cosmetic damage or damage from moisture or water immersion, (c.) Acts of God, accidents, misuse, negligence, inadequate mounting or impact with vehicle(s), obstacles or other aspects of the environment, (d.) theft, vandalism or other intentional damage.

**Remedy Limited to Repair/Replacement:**  
**The exclusive remedy provided hereunder shall, upon TACTIK® inspection and at TACTIK's option, be either repair or replacement of product or parts (new or refurbished) covered under this Limited Warranty.**

Customers requesting warranty consideration should first contact TACTIK® to obtain a RGA number (610-701-3336). All labor, removal, shipping and installation costs are customer's responsibility.

**Other Limitations - Exclusion of Damages - Your Rights Under State Law:**

In consideration of the purchase price paid, neither TACTIK® nor any independent TACTIK® distributor/licensee are responsible for any time loss, rental costs, or for any incidental, consequential, punitive or other damages you may have or incur in connection with any part or product purchased. Your exclusive remedy hereunder for covered parts is repair/replacement as described above.

This **Limited Warranty** gives you specific rights. You may also have other rights that vary from state to state. For example, some states do not allow limitations of how long an implied warranty lasts and /or do not allow the exclusion or limitation of incidental or consequential damages, so the limitations and exclusions herein may not apply to you.

© TACTIK® 2016. All Rights Reserved.  
1.5.16 LTR Version

Instruction Booklet #12999.3047

# TACTIK®