

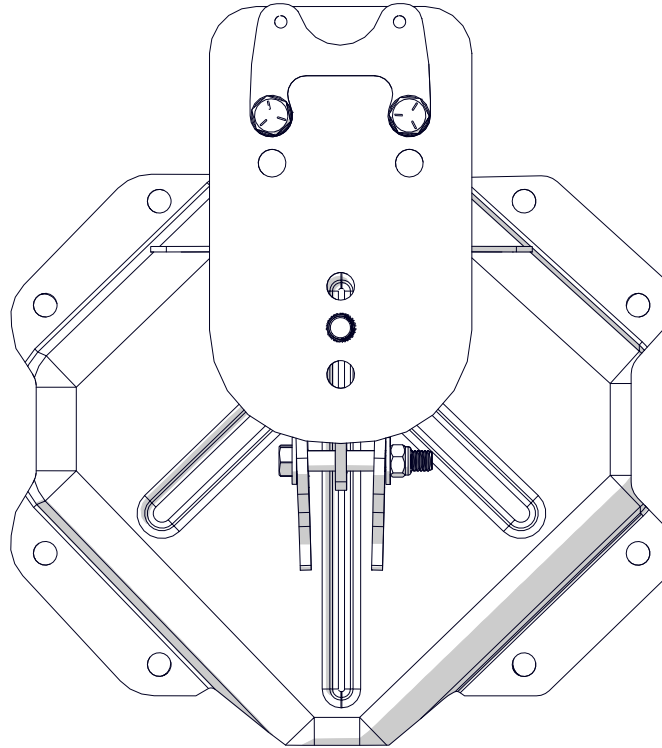


JK HD ADJUSTABLE SPARE TIRE MOUNTING KIT

www.TERAFLEX.com

#4838130

#4838135



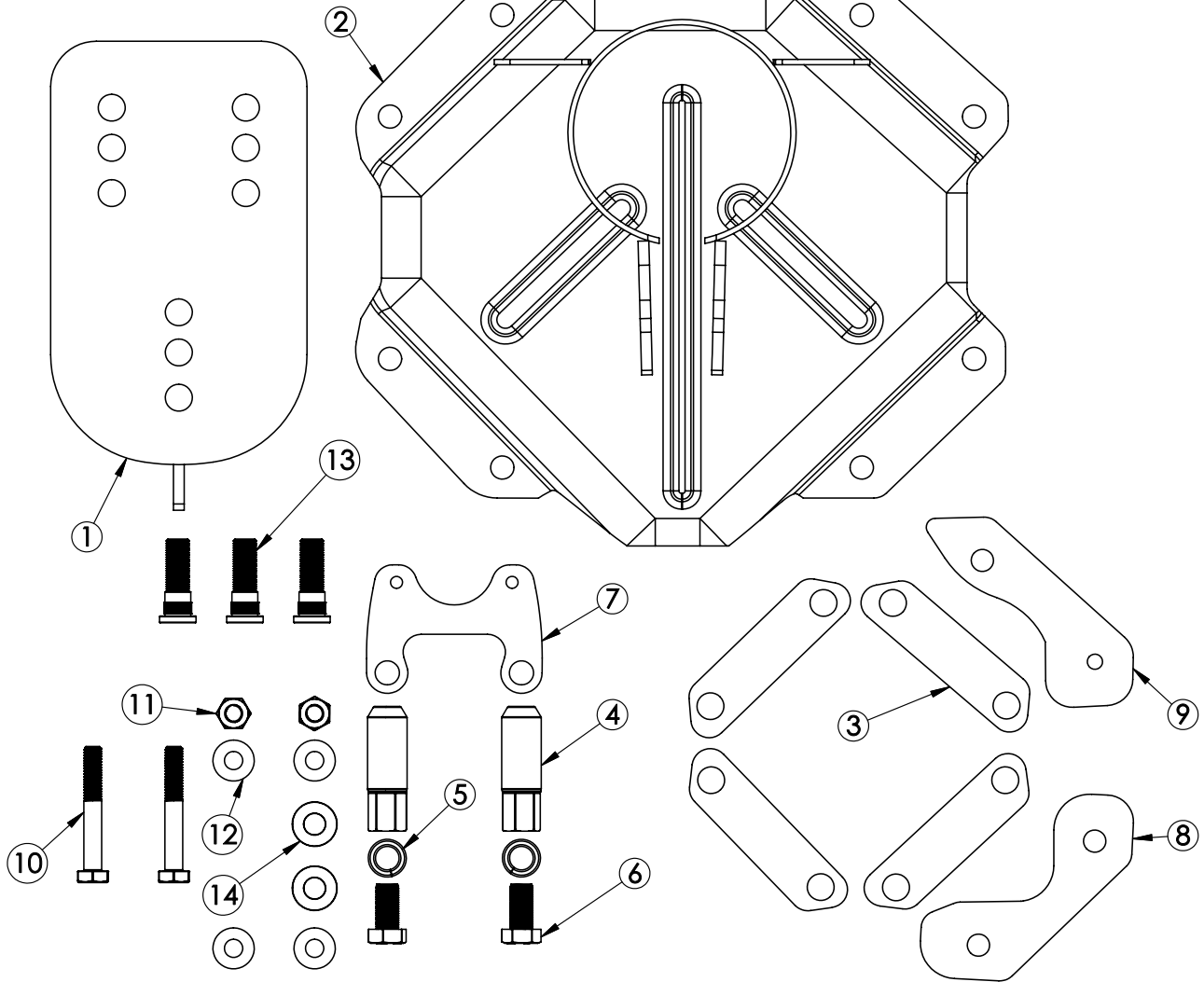
Important Notes:

Prior to beginning this or any installation read these instructions to familiarize yourself with the required steps and evaluate if you are experienced and capable to personally perform these modifications. A factory service manual should be used in conjunction with these installation instructions.

Refer to the parts list to ensure that all necessary components and hardware has been included. If any parts are missing please contact your local TeraFlex dealer for assistance.

Tools needed:

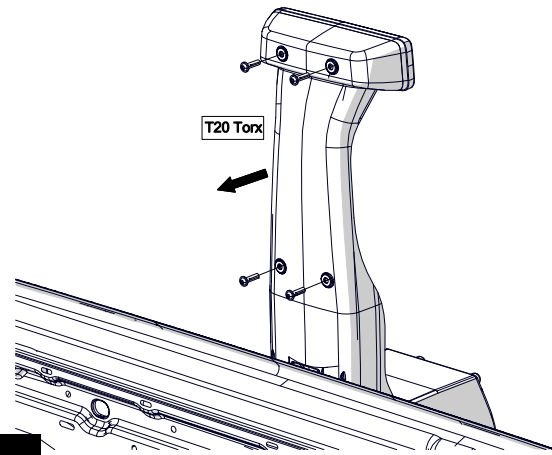
- Lug Wrench
- 13 mm socket
- 16 mm socket
- Ratchet
- Blue thread locking compound
- Cut off wheel and grinder or other method to cut factory third brake light



Call Out	Item Number	Description	4838130 Quantity	4838135 Quantity
1	838117	Adjustable Tire Mount Plate	1	1
2	838124	Adjustable Tire Mount Base	1	1
3	610039	Spacer Plate Gasket	4	4
4	838128	1/2"-20 Lug Nut	2	2
5	351	1/2" Split Lock Washer	2	2
6	235	1/2"-20 UNF x 1" Long Bolt	2	2
7	838149	High Mount Center Lamp Mounting Plate	1	1
8	838104	JK Spare Tire Carrier Lower Plate Spacer	1	-
9	838105	JK Spare Tire Carrier Upper Plate Spacer	1	-
10	252	M10 x 1.5 x 70mm Long Bolt	2	2
11	253	M10 x 1.5 Lock Nut	2	2
12	254	M10 Flat Washer	4	4
13	53007463	1/2"-20 x 1.7" Long Wheel Stud	3	3
14	838106	Adjustable Mount Anti-Rotation Spacer	2	2

The following instruction sheet details the installation of the HD Adjustable Spare Tire Mount on the tailgate as a stand alone tire mount, as well as in conjunction with the HD Hinged Carrier. Skip forward to step 10 if installing with the HD hinge kit.

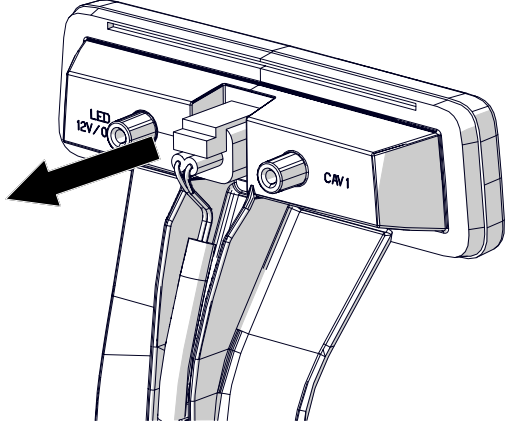
Remove existing spare tire and original spare tire bumpers from tailgate, if present.



1

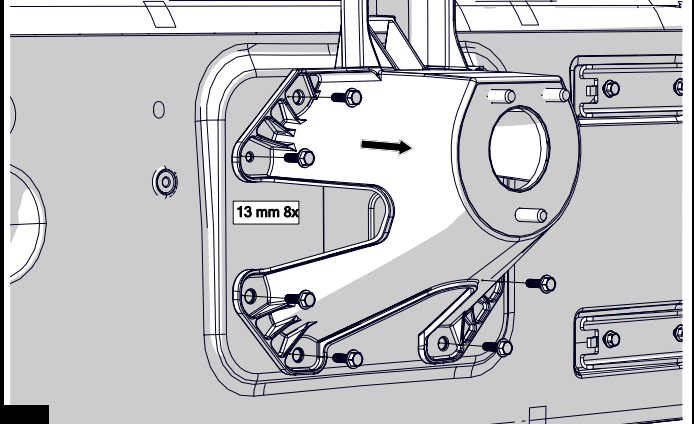
2

Unplug light connector



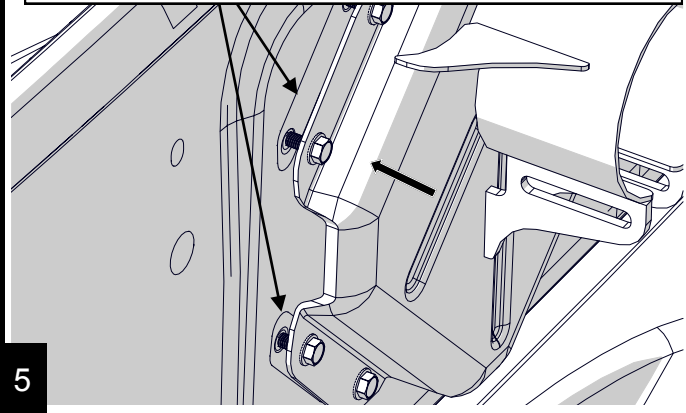
3

Remove tire mount



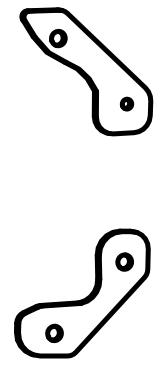
4

Place gaskets between tailgate and mount, apply thread locking compound and loosely install 4 of the original bolts



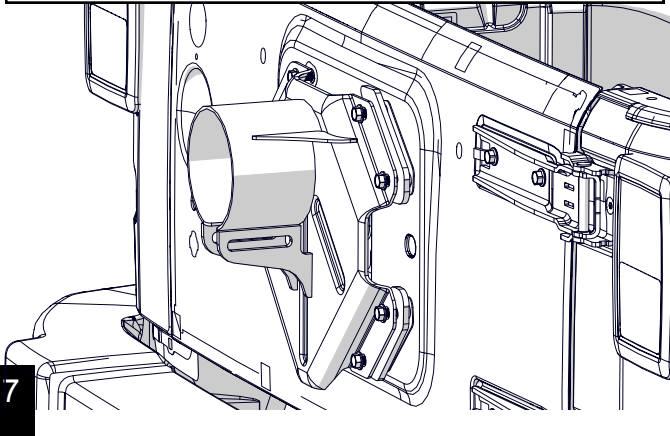
5

Orient spacers as illustrated



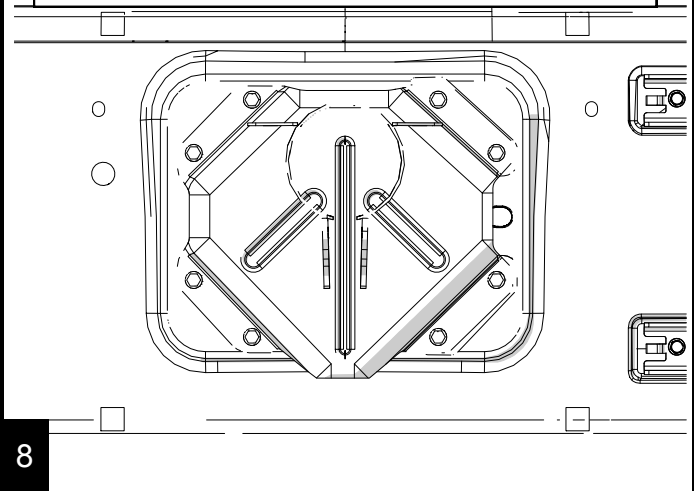
6

Place gaskets between tailgate and spacers, apply thread locking compound and loosely install remaining 4 original bolts



7

Torque the 8 mounting bolts to 15 ft-lbs (20 N-m)

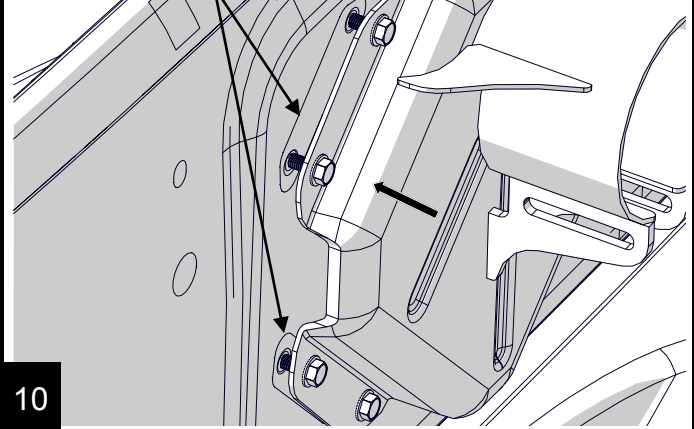


8

Steps 10-12 outline the installation of the adjustable tire mount base when installed in conjunction with the HD hinged carrier #4838100. Skip ahead to step 13 for tire mounting plate installation and adjustment.

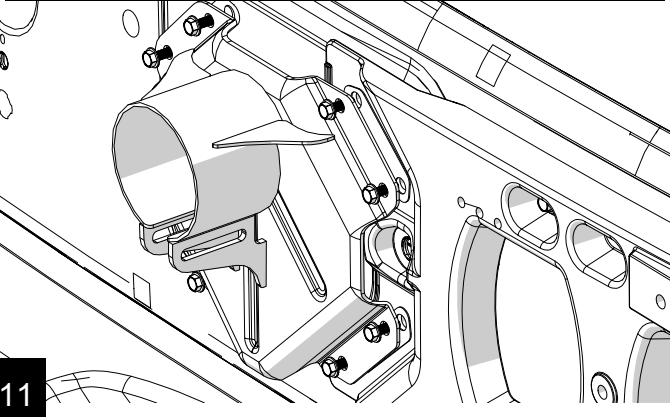
9

Place gaskets between tailgate and mount, apply thread locking compound and loosely install 4 of the original bolts



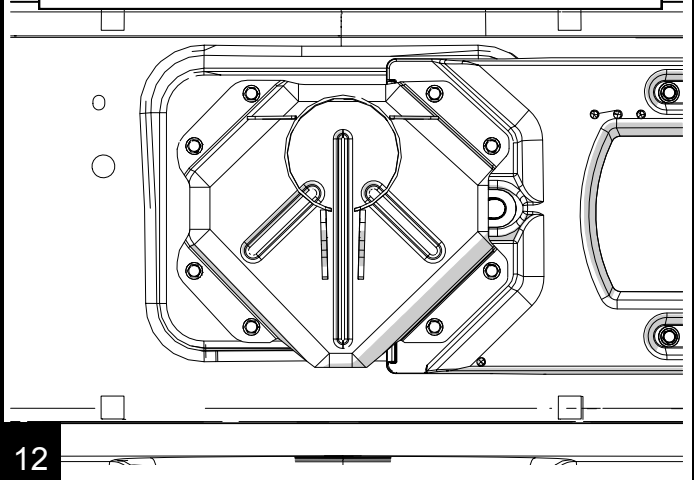
10

Place gaskets between cast hinge and mount, apply thread locking compound and loosely install remaining 4 original bolts



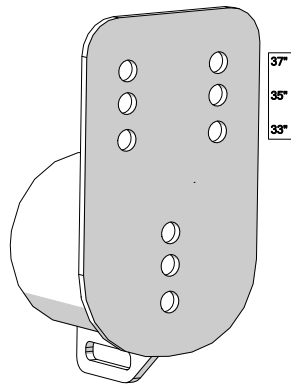
11

Torque the 8 mounting bolts to 15 ft-lbs (20 N-m)



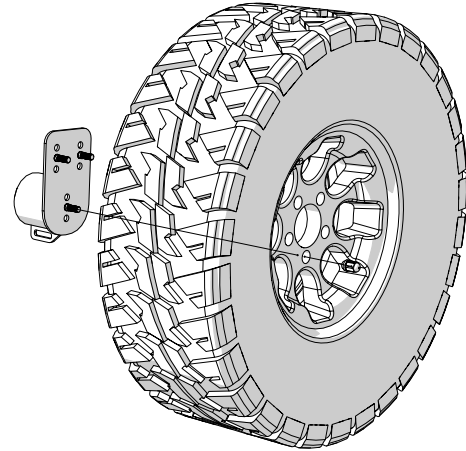
12

Press the 3 included wheel studs into the appropriate set of holes for your tire size



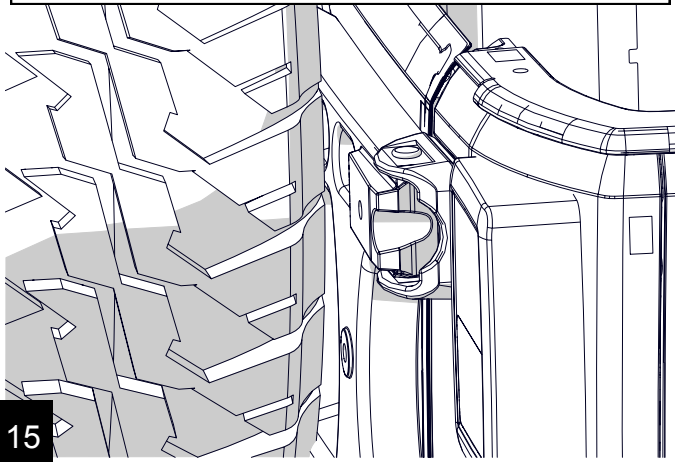
13

Attach the mount to the tire using 1 lug nut



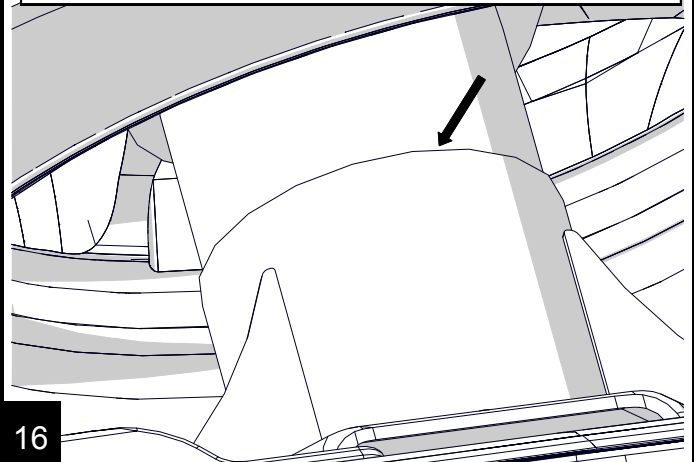
14

Slide the mount into the base on the tailgate, push the tire firmly up against the cast hinge



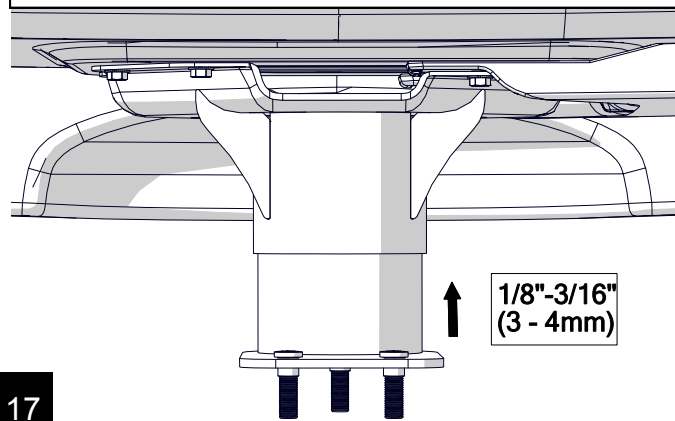
15

Mark a line on the mount where it meets the base, remove spare tire and mount assembly



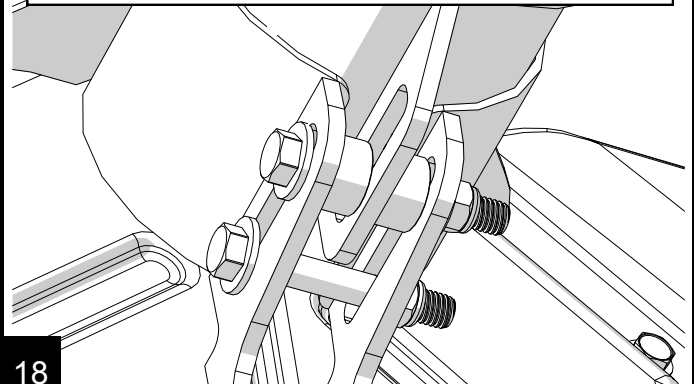
16

Remove the mount from the tire, using marked line as a reference, push mount in 1/8" - 3/16" (3 - 4 mm) past line



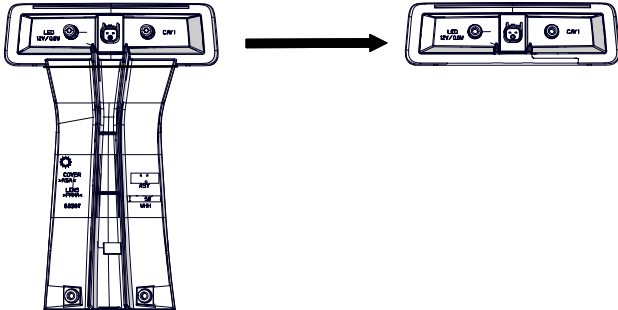
17

Install pinch bolts. Install the included spacers as shown to prevent the tire mount from rotating in the base. Ensure at least 1 bolt is installed through slot on mount. Torque bolts to 38 ft-lbs (51 N-m)



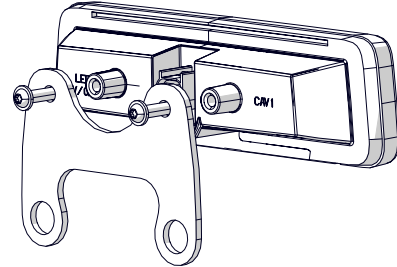
18

Cut factory third brake light along black line



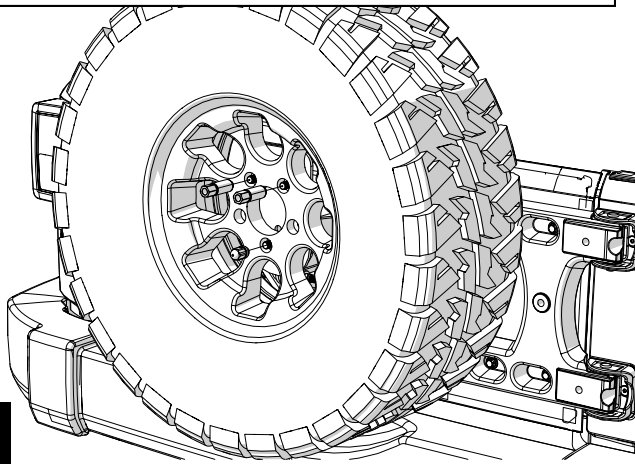
19

Use 2 original T20 Torx screws to mount the cut third brake light to bracket



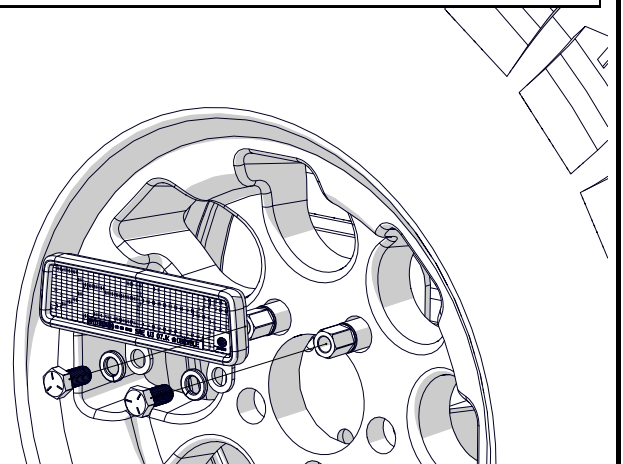
20

Install spare tire using the two lug nuts included in the kit and one original, torque to 65 ft-lbs (87 N-m)

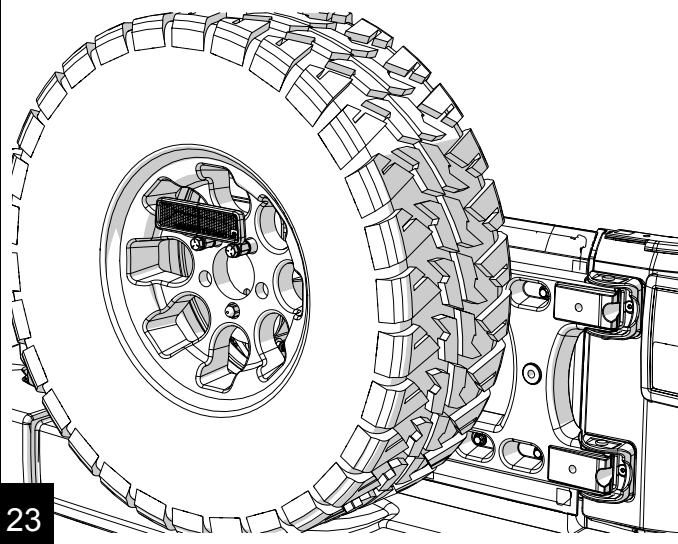


21

Route brake light wiring through wheel, plug light in and torque bolts to 37 ft-lbs (50 N-m)



22



23

- Open and close tailgate to ensure proper function if cast hinge was installed.
- Ensure tire is **firmly** pressed against the cast hinge or against the factory tire bumpers on the tailgate if the cast hinge was not used

24

PRODUCT INFORMATION

MAINTENANCE INFORMATION:

It is the buyer's responsibility to have all suspension, drivetrain, steering, and other components checked for proper tightness and torque after the first 100 miles and every 3000 miles after that.

NOTICE TO INSTALLER:

The enclosed "Warning to Driver" sticker must be installed in the vehicle in driver's view. This sticker is to act as a constant safety reminder when operating the vehicle. It is your responsibility as the equipment installer to install the provided sticker and to forward the product instructions to the vehicle's owner for review. If a "Warning to Driver" sticker or product installation guide were not included in the kit, FREE replacement stickers and instructions are available by request. It is the installer's duty to ensure a safe and controllable vehicle after the modifications have been performed.

WARNING:

Neither the seller nor the manufacturer will be liable for any loss, damage, or injury directly or indirectly arising from the use of or inability to determine the use of these products. Before using, the user shall determine the suitability of the products for its intended use, and the user shall assume all responsibility and risk in connection therewith.

WARNING TO DRIVER:

This vehicle has been modified to enhance off road performance and has unique handling characteristics. Use in harsh environments can cause extreme stress on the components. Vehicle should be inspected after being off road to make sure that all the components are in working order and safe to travel on the highway. All fasteners should be checked so that they are at the correct torque specifications as the vibration and stresses from off roading may cause critical fasteners to work loose. Extra care should be taken to inspect the critical components, steering, and brake systems. During each oil change components such as arms, tie rod ends, etc should be greased and checked for excessive wear. Any worn components should be replaced. When returning to the pavement always set or restore tire air pressure to the factory recommendation and connect or engage any disabled sway bar mechanisms. Because of the higher center of gravity and larger tires, this vehicle handles and reacts differently than many passenger cars, both on and off road. You must drive it safely! Extreme care should be taken to prevent vehicle rollover or loss of control, which can result in serious injury or death. Avoid sudden sharp turns or abrupt maneuvers. Generally, braking performance and capabilities are decreased when significantly larger/heavier tires are used, especially when used in combination with transfer case low-range reduction kits. Take this into consideration while driving. Do not add, alter or fabricate any factory or aftermarket parts to increase vehicle height over the intended height of the TeraFlex product purchased. Mixing component brand is not recommended. TeraFlex Inc. will not be responsible for any altered product or any improper installation or use of our products. We will be happy to answer any questions concerning the design, function, and correct use of our products. It is ultimately the buyer's responsibility to have all bolts/nuts checked for tightness after the first 100 miles and then every 3000 miles. Wheel alignment, steering system, suspension and drive line systems must be inspected by a qualified professional mechanic at least every 3000 miles.

TERAFLEX PRODUCT WARRANTY:

TeraFlex Inc. warrants TeraFlex Suspension products to the original retail purchaser to be free of defects in material and workmanship for as long as the original purchaser owns the vehicle on which products were originally installed.

Failure to complete regular maintenance (grease every 3000 miles) on TeraFlex FlexArms will void this warranty. All other conditions of the standard TeraFlex product warranty apply.

All TeraLow products are covered by the TeraFlex two (2) year warranty to be free of defects in material and workmanship for two years from date purchased.

TeraFlex axles are covered by a 12-month warranty to be free of defects in materials and workmanship.

This warranty does not cover or include product finish, improperly installed or applied products, improperly maintained products, products or components used for racing or competition or damage due to abuse or neglect, products that fail due to the use of larger tire and wheel combinations.

All returns must be accompanied by an original invoice. It is the customer's responsibility to remove the product from the vehicle. Shipping charges are the responsibility of the customer. TeraFlex Inc. will pay the return freight if the product meets the terms of warranty.

This warranty is for the replacement or repair of defective TeraFlex products only and does not include freight charges, labor charges for removal of or installation of TeraFlex or related products or components, costs incurred due to down time of the vehicle, or lost profits due to vehicle down time.

A returned goods authorization number (RGA#) must accompany any returned products. For more information please contact a TeraFlex customer service representative.

COPYRIGHT

©Copyright 2014. All rights reserved, TeraFlex Inc. Reproduction of this catalog and/or any of its contents without written permission is strictly prohibited.

TeraFlex® is a registered trademark of TeraFlex Inc. All trade names and logos including but not limited to TeraFlex, FlexArms, RockGuard, Monster, and LCG are protected by law and duplication of trade names and/or logos are strictly prohibited.

TeraFlex Inc. reserves the right to update, discontinue, redesign, modify finish, part number or component build parts if deemed necessary without written notice.

TeraFlex Inc., and any associated dealers are not responsible for misprints or typographical errors that may have inadvertently been made within this instruction sheet.

Jeep® and the Jeep® grill are registered trademarks of Fiat Chrysler Automobiles N.V., and have no affiliation with TeraFlex Inc.

TERAFLEX, Inc.
5680 West Dannon Way
West Jordan, Utah 84081
Phone/801.713.3314
Fax/801.713.2313
www.teraflex.com