



INSTALLATION INSTRUCTIONS

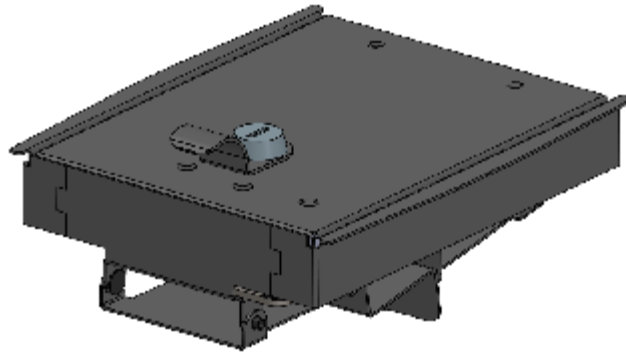
Console Safe #423-01

2025 Toyota Tacoma Console Safe w/ keyed lock

See tuffyprompts.com for Fitment Guide

Please read and fill out the enclosed warranty registration card or register online at <https://tuffyprompts.com/help/warranty-information/warranty-registration/> to activate your warranty.

PARTS CHECKLIST



423 CONSOLE SAFE

TOOLS CHECKLIST

- 10mm Socket

PLEASE READ ALL INSTRUCTIONS THOROUGHLY BEFORE STARTING INSTALLATION.

1. Remove all contents from the shipping box and confirm that you have all the components listed above.
2. Using 10mm Socket, remove the (4) factory OEM screws from the floor of the console.
3. Partially unfold the legs and lower your 423 Console Safe into to the console, with the back end first into the console.
4. Open the lid and open the legs completely.

VEHICLE
FRONT

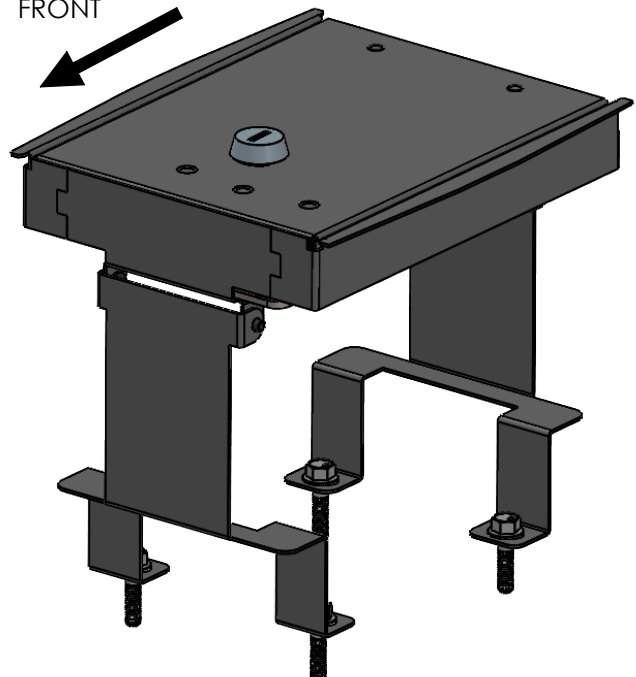


FIGURE 1

5. Insert the (4) factory OEM screws into the holes in the floor of the console and tighten them down so the feet are flat with the floor of the console. As seen in **Figure 1**.

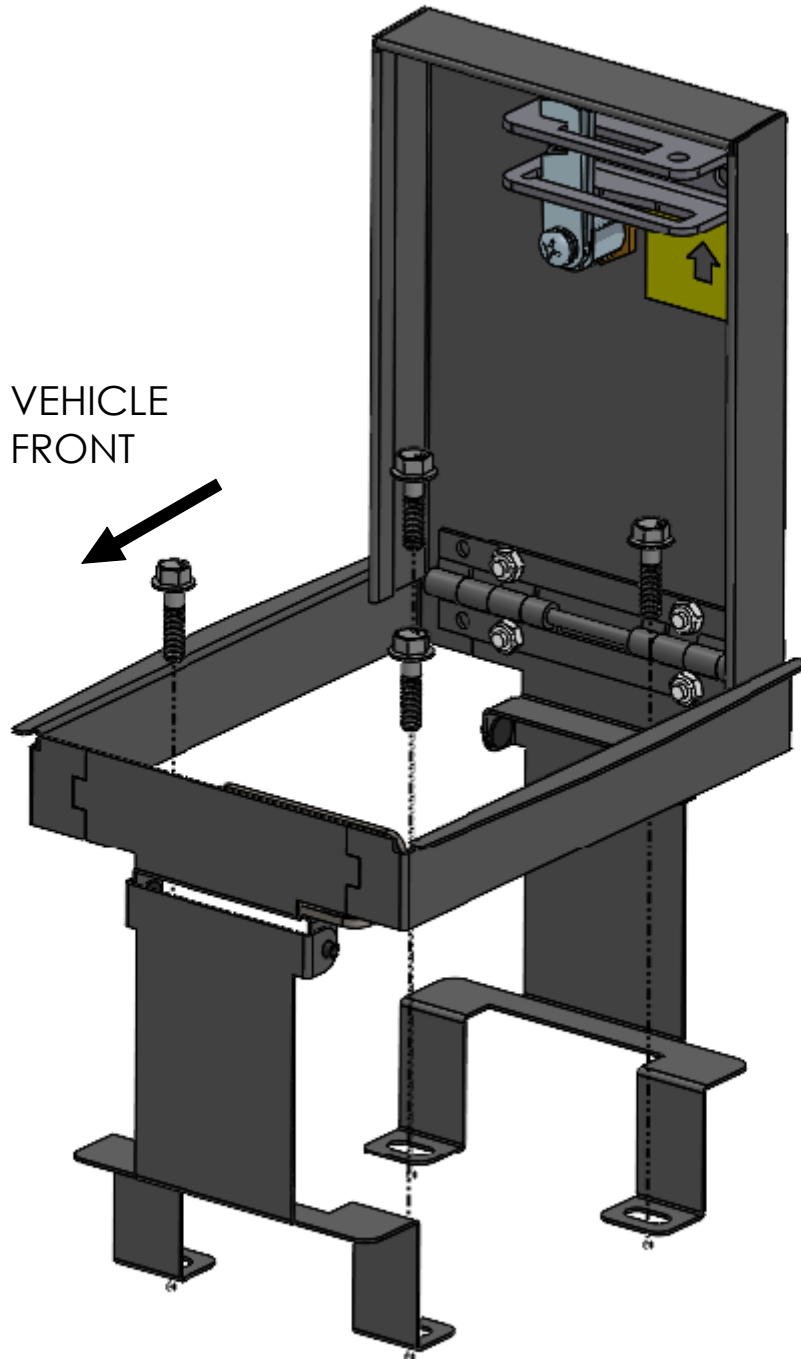


FIGURE 2

7. You have successfully installed your console safe.