

Warn Industries, Inc.

12900 S.E. Capps Road

Clackamas, OR USA 97015-8903

1-503-722-1200 FAX: 1-503-722-3000

www.warn.com

Customer Service / Service Clients: 1-800-543-9276

© 2017 Warn Industries, Inc.
WARN®, the WARN logo are registered trademarks of Warn Industries, Inc.
WARN® et le logo WARN sont des marques déposées de Warn Industries, Inc.



Winch Operator's Manual



IMPORTANT SAFETY INSTRUCTIONS AND PRODUCT WARNINGS. Before installing and/or using this product, read ALL instructions, guides, operating instructions and safety information provided.

WICHTIGE SICHERHEITSHINWEISE UND WARNUNGEN. Vor der Installation und/oder Verwendung dieses Produkts, lesen Sie alle Anweisungen, Handbücher, Bedienungsanleitungen und Sicherheitshinweise.

VIKTIGA SÄKERHETSANVISNINGAR OCH VARNINGAR. Innan du installerar och/eller använda produkten, läs alla instruktioner, guider, bruksanvisning och information om säkerhet.

IMPORTANTI ISTRUZIONI DI SICUREZZA E AVVISI SUL PRODOTTO. Prima di installare e/o l'utilizzo di questo prodotto, leggere TUTTE le istruzioni, guide, istruzioni per l'uso e la sicurezza delle informazioni fornite.

TÄRKEITÄ TURVALLISUUSOHJEITA SEKÄ tuotevaroitukset. Ennen kuin asennat ja/tai laitteen käytön kanssa, lue kaikki ohjeet, oppaat, käyttöohjeet sekä turvallisuuteen tiedottaminen.

BELANGRIJKE VEILIGHEIDSINSTRUCTIES EN WAARSCHUWINGEN. Voor de montage en/of het gebruik van dit product, lees ALLE instructies, handleidingen, gebruiksaanwijzingen en veiligheidsinformatie.

IMPORTANTE AS INSTRUÇÕES DE SEGURANÇA E AVISOS REFERENTES AO PRODUTO. Antes de instalar e/ou utilizar este produto, leia todas as instruções, manuais, instruções de operação e segurança as informações fornecidas.

English.....	1
Français.....	8
Español.....	15
Deutsch.....	22
Svenska.....	29
Italiano.....	36
Português.....	43
Suomi.....	50
Nederlands.....	57

Winch Operator's Manual

This manual provides important safety information and instructions on how to operate your winch. It is important to read **ALL** instructions and safety information **BEFORE** installing and operating your winch.

As you read these instructions, you will see **WARNINGS**, **CAUTIONS**, **NOTICES** and **NOTES**. Failure to observe these instructions could lead to serious injury or death. **WARNINGS** are safety messages that indicate a potentially hazardous situation which, if not avoided, could result in serious injury or death. **CAUTIONS** are safety messages that indicate a potentially hazardous situation which, if not avoided, could result in minor or moderate injury. **CAUTIONS** and **WARNINGS** identify the hazard, indicate how to avoid the hazard, and advise of the probable consequence of not avoiding the hazard. **NOTICES** are messages to avoid property damage. **NOTES** are additional information to help you complete a procedure. **PLEASE WORK SAFELY!**

SAVE THIS MANUAL and other product literature for future reference and review frequently for continuing safe operation.

Instruct all users of this product to review this manual before operating this product.

Additional Product Literature Available Online:

- **Install Guide (extended languages)**
 - Provides winch installation instructions.
- **Basic Guide to Winching Techniques**
 - Provides a basic understanding of the winch and teaches basics of proper winching techniques. It is a valuable resource to help winch safely and efficiently.
- **Product Specification and Performance Data**
 - Provides product specifications, performance data and replacement parts information.
- **Other product literature specific to some products**

Go to <https://www.warn.com/manuals/index.jsp> for additional or replacement product literature available to view/download.



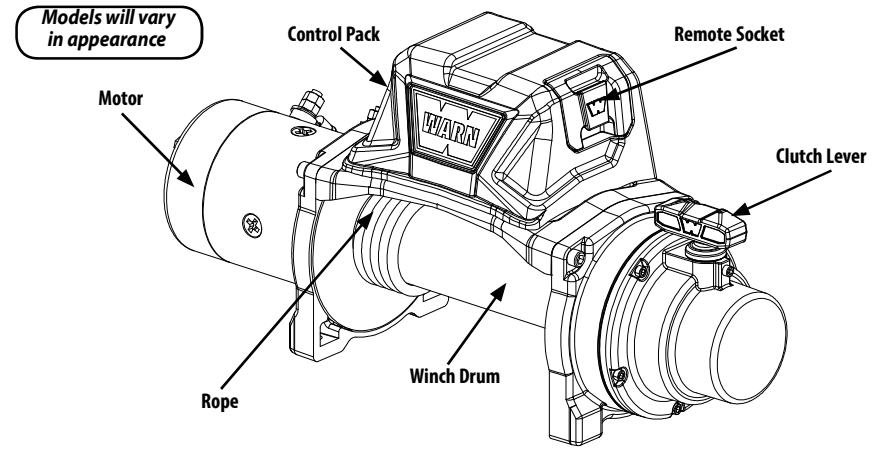
TABLE OF CONTENTS:

INSTRUCTIONS

Know Your Winch.....2
 First Time Operation Instructions.....3-6
 Final Analysis and Maintenance7

KNOW YOUR WINCH

Before you begin, you should familiarize yourself with your WARN® winch and each of its components:



Motor: The winch motor is powered by the vehicle's battery. The motor provides power to the gear mechanism, which turns the winch drum and winds the winch rope.

Winch Drum: The winch drum is the cylinder onto which the winch rope feeds. The drum is driven by the motor and drive train. Its direction can be changed using the Advanced Wireless Remote Control.

Winch Rope: The winch rope's diameter and length are determined by the winch's load capacity and design. Wrapped around the winch drum and fed through the fairlead, the winch rope is looped at the end to accept the hook's clevis pin.

For synthetic rope models, see your WARN® Synthetic Rope Installation Instruction Manual for detailed synthetic rope installation instructions.

Clutch Lever*: The clutch allows the operator to manually disengage the spooling drum from the gear train, enabling the drum to rotate freely (known as "freespooling"). Engaging the clutch "locks" the winch drum back onto the gear train.

Control Pack: Using electrical power from the vehicle's battery, the control pack's contactor switches power to the motor, enabling the operator to change the direction of the winch drum rotation.

For specific applications, the optional Control Pack Relocation Kit details can be found at your WARN® Authorized Dealer or www.warn.com.

Remote Socket*: The remote socket is where the operator plugs in the wired remote control or optional wireless remote receiver, in order to control the winch.

** Specific to certain models.*



BEFORE YOU BEGIN, take time to fully read all instructions and safety information before installing and operating your winch.

Step 1: Install Your Winch

WARNING Always choose a mounting location that is sufficiently strong to withstand the maximum pulling capacity of your winch.

Refer to your product specific installation guide for mounting and wiring instructions.

Step 2: System Check

Perform system check:

1. Check fasteners and make sure they are tight and to proper torque.
2. Verify all electrical wiring to all components is correct and be certain that all connections are tight.
3. Verify there is no exposed/bare wiring, terminals or cable insulation damage.
4. Read The Basic Guide to Winching Techniques completely before operating your winch (<https://www.warn.com/manuals/index.jsp>).

Once you have performed a system check, you are ready to perform "First Time Operating Instructions".

Step 3: First Time Operating Instructions

In this section, we'll show you the first time operating instructions for effective basic winching. For complete winch operation and techniques read the Basic Guide to Winching Techniques found online at <https://www.warn.com/manuals/index.jsp>.

WARNING Never use winch as a hoist or to suspend a load.



WARNING Never use winch to lift or move persons.



Remote Control:

WARNING Always keep wired remote control lead and power cord clear of the drum, rope, and rigging. Inspect for cracks, pinches, frayed wires or loose connections. Damaged components must be replaced before operation.

WARNING Never leave remote control where it can be unintentionally activated.

WARNING Never leave the winch remote control plugged in when installing, freespooling, rigging, servicing or when the winch is not being used.

The remote control provides control of the power-out (forward) or power-in (reverse) rotation of the spooling drum.

Do not leave the remote plugged into the winch when not in use. Leaving the remote plugged in, may result in accidental activation and/or battery drain.

Clutch Operation:

WARNING Never engage or disengage clutch if winch is under load, winch rope is in tension or drum is moving.

NOTICE Always ensure the clutch is fully engaged or disengaged when operating winch.

When the clutch is engaged, the gear train is coupled to the winch drum and power can be transferred from the winch motor.

When the clutch is disengaged the drum is in the freespool position and the gear train and winch rope drum are uncoupled allowing the drum to rotate freely.

The clutch lever (*specific to certain models*), is typically located on the winch housing opposite the motor and controls the clutch position. To prevent damage, always fully engage or fully disengage the clutch lever.

Spooling Out

WARNING Never operate winch with less than 5 wraps of wire rope or 10 wraps of synthetic rope around the drum. Rope could come loose from the drum.

WARNING Always keep hands clear of winch rope, hook loop, hook and fairlead opening during installation, operation, and when spooling in or out.



WARNING Always wear heavy leather gloves when handling winch rope.

Freespooling is generally the quickest and easiest way to spool out winch rope. Before freespooling winch rope out from the winch, power-out enough rope to remove any tension the winch rope might be under. Disengage the clutch. Then freespool by manually spooling out enough winch rope for the winching operation. See The Basic Guide to Winching Techniques for more information, found online at: <https://www.warn.com/manuals/index.jsp>.

NOTICE Do NOT power out more than 30ft without allowing the winch to cool for 20 minutes before powering rope back in. Instead, place the clutch in freespool and pull the rope out by hand.

WARNING Always use supplied hook strap whenever spooling winch rope in or out.



Spooling In Under Load

WARNING Never exceed winch or winch rope rated capacity.

Power-in the winch rope evenly and tightly on the drum. This prevents the outer winch wraps from sinking into the inner wraps, binding, and damaging the winch rope.

Avoid shock loads when spooling, by pulsing the control switch to take up winch rope slack. Shock loads can momentarily far exceed the winch and rope ratings.

Spooling In Under No Load

WARNING Never touch winch rope or hook while someone else is at the control switch, when winch rope is under load or during winching operation.

Spooling with an Assistant: Have the assistant hold the hook strap putting as much constant tension on the winch rope as possible. While keeping tension, the assistant should walk toward the winch while you operate the control switch spooling in the winch rope. Release the switch when the hook is a minimum of 6 ft. (2m) from the fairlead opening.

Spool in the remainder for storage as directed below.

Spooling Alone: Arrange the winch rope to be spooled so it will not kink or tangle when spooled. Be sure any winch rope on the drum is tightly and evenly layered. Spool enough winch rope to complete the next full layer on the drum. Tighten and straighten the layer. Repeat process until the hook is a minimum of 6 ft. (2 m) from the fairlead opening.

Spooling Remainder for Storage

When the hook is within 6 ft. (2 m) of the fairlead, disconnect the hook from the anchor or load. Hold onto the supplied hook strap and hold tension on the winch rope. Slowly power-in the winch by "pulsing" the power-in switch on the remote control until the hook is within 3 ft. (1 m) of the fairlead.

Stop winching in and attach the hook to a suitable anchor point on the vehicle.

NOTICE Do not power the hook into the fairlead. This could cause damage to the fairlead.

Once the hook is suitably attached to the vehicle, power-in the remaining slack in the winch rope by "pulsing" the power-in switch on the remote control until there is minimal slack in the winch rope.

Overloading/Overheating

WARNING Always be aware of possible hot surfaces at winch motor, drum or rope during or after winch use.

This winch is rated for intermittent duty. When the motor approaches stall speed, very rapid heat buildup occurs which may cause motor damage.

Double-line rigging (see The Basic Guide to Winching Techniques) will reduce the amperage draw, and reduce heat buildup in the motor. This allows longer continual use.

Ti Motor Temperature Indicator (For Ti Models)

Ti model winches are equipped with a motor-mounted thermal sensor which relays temperature information to the winch operator by way of an LED light indicator on the hand-held remote control.

FIRST TIME OPERATING INSTRUCTIONS

The LED in the remote will blink before the winch motor reaches a temperature that could result in damage. Stop winch operation as soon as it is safe to do so and allow the motor to cool.

STRETCHING WINCH ROPE

WARNING Always prestretch rope and respool under load before use.

WARNING Always inspect winch rope, hook, and slings before operating winch. Frayed, kinked or damaged winch rope must be replaced immediately. Damaged components must be replaced before operation. Protect parts from damage.

Stretching (tensioning) the winch rope is critical to ensure a long product life. Tensioning the winch rope will prevent outer layers of winch rope from pinching and deforming the inner layers.

During its first use, a new winch rope must be spooled onto its drum under a load of at least 1000 lbs. (454 kgs).

Use the following instructions to properly stretch the winch rope onto the winch drum.

WARNING Always wear heavy gloves when handling winch rope.



1. Choose a **FLAT AND LEVEL** location that is large enough to run out almost the entire length of winch rope.
2. Disengage clutch.

WARNING Always keep hands clear of winch rope, hook loop, hook and fairlead opening during installation, operation, and when spooling in or out.

3. Grasp hook strap and spool out the winch rope to the last 5 wraps on the drum (10 wraps if synthetic rope).
4. Be sure to check that the winch rope is winding off of the bottom of the drum or the automatic load holding brake will not function properly. **NOTE: If the winch rope is winding off the top of the drum, you have powered the winch "out" instead of "in". Be sure you are powering in.**

WARNING Always wind the winch rope on bottom (mountside) of drum.



NOTICE For proper function of the winch brake, the winch rope must be spooled onto the drum in the specified direction. *See drum rotation label located on winch.

5. Once the winch rope is spooled out, engage clutch.

WARNING Always ensure hook latch is closed.

WARNING Always apply load only to the center of hook.



WARNING Never apply load to hook tip or use hook that is bent or twisted.

6. Attach the hook end of the rope to a suitable anchor point.

WARNING Always remove any obstacle that may interfere with safe operation of the winch.

WARNING Never wrap winch rope back onto itself. Use a chain or strap on the anchor.



WARNING Always be certain the anchor you select will withstand the load and the strap or chain will not slip.

7. Return to your vehicle.
8. Back the vehicle away from the anchor point until there is very little slack in the winch rope.
9. Set the parking brake, place the vehicle in gear or park and turn the vehicle off.

WARNING Always stand clear of winch rope and load and keep others away while winching.

10. Exit vehicle. **WARNING! Never exit the vehicle with a load on the winch rope.** While standing approximately 8 ft. (2.44 m) away from the winch, power-in the winch until all of the slack is wound onto the winch drum.

WARNING Never touch winch rope or hook while someone else is at the control switch, when winch rope is under load or during winching operation.

WARNING Never let winch rope slip through your hands.

11. With gloves on, hold tension on the winch rope with one hand; carefully push the winch rope to the side of the drum the winch rope is attached to so there are no gaps between each coil on the drum.
12. The following steps should be done using two people for proper safety. If you attempt

FIRST TIME OPERATING INSTRUCTIONS

to tension your winch rope alone be sure to always set the parking brake, place the transmission in gear or park and turn the vehicle off **every time** you exit the vehicle to inspect the winch rope. **NOTICE** Use care to evenly wrap each layer to prevent damage to the rope.

WARNING Never use remote when vehicle is not in line of sight of operator.

13. The driver of the vehicle should operate the winch.
14. Instruct your assistant to stand to the side of the vehicle and away from the winch rope. **NOTE: Your assistant should signal you if the winch rope is winding correctly or incorrectly by watching it move across the fairlead as the winch rope is powered in.**
15. Start the vehicle and place the transmission in neutral. Then release the parking brake while applying moderate brake pedal pressure.
16. Power-in the winch rope to start winching in.
17. After winching in for approximately 6 ft. (2m), stop winching.
18. Slowly let up off of the brake pedal and then apply the parking brake. This will ensure that there is no load on the winch rope.
19. Place the transmission in park or in gear and turn the vehicle off.
20. Exit the vehicle and inspect the winch to make sure that the winch rope is being evenly wound onto the winch drum and not sinking into the lower layer. If the winch rope is sinking, power-out the winch rope by pushing the power-out button on the remote control and repeat this step from the beginning with more brake pedal pressure.
21. When you are convinced the winch rope is winding onto the winch drum properly, repeat steps until the vehicle is within 6 ft. (2 m) of the winch anchor. Once within 6 ft. (2 m), slowly let up off of the brake pedal and then apply the parking brake. This will ensure that there is no load on the winch

rope. Then place the transmission in park or in gear and turn the vehicle off.

22. Exit the vehicle. Disconnect the hook from the anchor.
23. While holding onto the supplied hook strap, hold tension on the winch rope and slowly power-in the winch by "pulsing" the power-in button on your remote control until the hook is within 3 ft. (1 m) of the fairlead.
24. Stop winching in and attach the hook to a suitable storage point on the vehicle.
25. Once the hook is suitably attached to the vehicle, power-in the remaining slack in the winch rope by "pulsing" the power-in button on your remote control until there is minimal slack in the winch rope.

NOTICE Do not power the hook into the fairlead. This could cause damage to the fairlead.

Rigging

For complete rigging fundamentals, Read the Basic Guide to Winching Techniques, found online at: <https://www.warn.com/manuals/index.jsp>.

FINAL ANALYSIS AND MAINTENANCE

Check	Before first operation	After each use	Every 90 days
Take time to fully read the Instructions and/or Operations Guide, and/or Basic Guide to Winching Techniques, in order to understand your winch and its operations	X		
Check fasteners and make sure they are tight and to proper torque. Replace damaged fasteners.	X		X
Verify wiring to all components is correct and be certain that all connections are tight.	X		X
Verify there is no exposed/bare wiring, terminals or cable insulation damage (chafing/cutting). Cover any exposures with terminal boots. Repair or replace damaged electrical cable.	X		X
Inspect winch rope, hook, and slings. Frayed, kinked or damaged winch rope must be replaced immediately. Damaged components must be replaced before operation.	X	X	X
Keep winch, rope and switch control free from contaminants. Use a clean rag or towel to remove any dirt and debris.		X	
If winch is submerged in water: Power winch rope out and back in about 30 feet. Follow the "Stretching Winch Rope" procedure, in order to dry out winch.	x	x	

Take time to fully understand your winch and the winching operation by reviewing the Basic Guide to Winching Techniques found online at:

<https://www.warn.com/manuals/index.jsp>.

For further information or any questions contact:

WARN INDUSTRIES, INC.
 12900 S.E. Capps Road, Clackamas
 OR USA 97015-8903, 1-503-722-1200,
 Customer Service: 1-800-543-9276
 Dealer Locator Service: 1-800-910-1122
 Or visit **www.warn.com**.

Manuel de l'utilisateur du treuil

Ce manuel fournit des informations et des consignes de sécurité importantes concernant l'utilisation du treuil. Il est important de lire attentivement **TOUTES** les instructions et informations de sécurité afférentes à votre produit **AVANT** d'installer et d'utiliser le treuil.

Les directives suivantes comprennent des indications, intitulées **AVERTISSEMENT, ATTENTION, AVIS** et **REMARQUE**. Le non-respect des consignes peut entraîner des blessures graves ou la mort. **AVERTISSEMENT** présente des consignes de sécurité soulignant un danger potentiel qui, s'il n'est pas évité, peut entraîner des blessures graves ou la mort. **ATTENTION** comprend des consignes de sécurité signalant un danger potentiel qui, s'il n'est pas évité, peut entraîner des blessures légères ou modérées. **ATTENTION** et **AVERTISSEMENT** identifient un danger, indiquent comment l'éviter et montrent ses conséquences possibles si on l'ignore. **AVIS** présente des consignes visant à éviter les dommages matériels. **REMARQUE** donne des renseignements additionnels qui aident à accomplir une procédure. **TRAVAILLEZ PRUDEMMENT!**

CONSERVEZ CE MANUEL et tous les autres documents relatifs au produit à titre de référence et consultez-les fréquemment pour assurer un fonctionnement continu en toute sécurité.

Demander à tous les utilisateurs de ce produit de lire le présent manuel avant de l'utiliser.

Autres documents relatifs au produit disponibles en ligne :

- **Install Guide (extended languages)**
 - Fournit des instructions d'installation du treuil.
- **Manuel de base des techniques de treuillage**
 - Fournit une compréhension globale du treuil et vous enseigne les techniques de treuillage. Il s'agit d'une ressource utile qui favorise l'utilisation efficace et sûre du treuil.
- **Caractéristiques du produit et données de performance**
 - Fournit les caractéristiques du produit, les données de performance et les renseignements concernant les pièces de rechange.
- **Autres documents relatifs à des produits spécifiques**

Consultez le site <https://www.warn.com/manuals/index.jsp>, pour accéder à d'autres documents ou à des documents sur les produits de remplacement, disponibles en consultation/téléchargement.



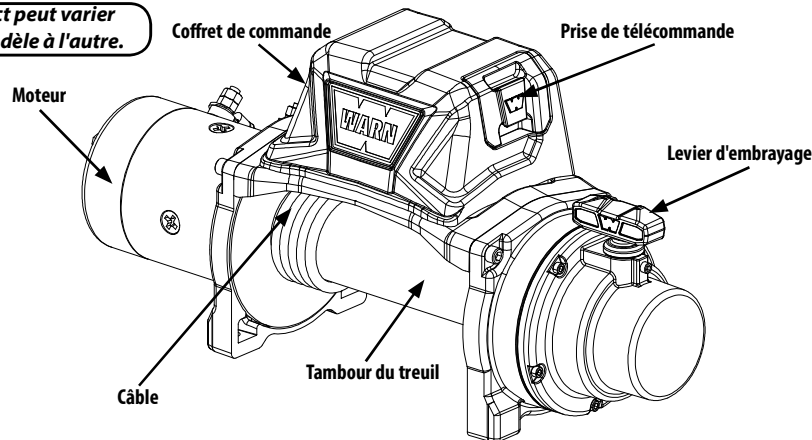
TABLE DES MATIÈRES :

INSTRUCTIONS

Se familiariser avec le treuil	9
Instructions pour la première utilisation	10-13
Dernière analyse et entretien	14

Avant de commencer, vous devez vous familiariser avec votre treuil WARN® et chacun de ses composants.

L'aspect peut varier d'un modèle à l'autre.



Moteur : Le moteur du treuil est alimenté par la batterie du véhicule. Le moteur fournit de la puissance au système de rapports qui fait tourner le tambour et enroule le câble du treuil.

Tambour du treuil : Le tambour du treuil est le cylindre sur lequel s'enroule le câble. Le tambour est entraîné par le moteur et le train d'engrenage. Son sens peut être changé en utilisant la télécommande sans fil avancée.

Câble du treuil : Le diamètre du câble du treuil et sa longueur sont déterminés par la structure et la puissance de traction du treuil. Enroulé autour du tambour du treuil, le câble passe par le guide-câble et se termine par une boucle pour l'axe de chape du crochet.

Pour des modèles avec un câble synthétique, consultez le manuel des Instructions d'installation du câble synthétique WARN®, qui donne des précisions.

Levier d'embrayage* : L'embrayage permet à l'opérateur de dissocier manuellement le tambour du train de rapports, permettant au tambour de tourner librement. L'engagement de l'embrayage rend de nouveau le tambour solidaire du train d'engrenages.

Coffret de commande : En utilisant le courant de la batterie du véhicule, le contacteur du coffret de commande commute l'alimentation vers le moteur, permettant ainsi à l'opérateur de changer le sens de rotation du tambour.

Pour des applications spécifiques, consultez les informations relatives au Kit de repositionnement du coffret de commande en option chez votre concessionnaire agréé WARN® ou sur le site www.warn.com.

Prise de télécommande* : La prise de télécommande permet à l'opérateur de brancher le fil de la commande à distance ou le récepteur sans fil en option, afin de contrôler le treuil.

* Spécifique à certains modèles.



AVANT DE COMMENCER, il est important de lire attentivement toutes les instructions et informations de sécurité afférentes à votre produit avant d'installer et d'utiliser le treuil.

Étape 1 : Installation du treuil

AVERTISSEMENT Toujours choisir une surface de montage suffisamment résistante pour supporter la capacité de traction maximale du treuil.

Reportez-vous au guide d'installation spécifique à votre produit pour les consignes de montage et de câblage.

Étape 2 : Vérifications du système

Réaliser une vérification du système :

1. Vérifier les fixations et s'assurer qu'elles sont bien serrées aux couples de serrage indiqués.
2. Vérifier que tous les câblages électriques de chaque composant sont corrects et que tous les points de connexion sont bien serrés.
3. Vérifier qu'il n'y a pas de fils exposés/nus, de bornes ou de câbles dont l'isolant est endommagé.
4. Lire la totalité du Manuel de base des techniques de treuillage avant d'utiliser le treuil (<https://www.warn.com/manuals/index.jsp>)

Une fois la vérification du système achevée, vous pouvez suivre les « Instructions relatives à une première utilisation ».

Étape 3 : Instructions relatives à une première utilisation

Dans cette section, nous donnons les explications nécessaires pour faire fonctionner efficacement le treuil pour la première fois, dans le cadre d'un treuillage simple. Pour des détails complets sur le fonctionnement du treuil et les techniques de treuillage, consulter le manuel de base des techniques de treuillage sur le site <https://www.warn.com/manuals/index.jsp>.

AVERTISSEMENT Ne jamais utiliser le treuil comme palan ou pour suspendre une charge.

AVERTISSEMENT Ne jamais utiliser le treuil pour soulever ou transporter des personnes.

Télécommande :

AVERTISSEMENT Toujours garder le fil de la télécommande et le cordon d'alimentation à l'écart du tambour, du câble et du câblage. S'assurer qu'il n'y a pas de fissures, de points de pincement, de fils effilochés ou de connexions desserrées. Tous les composants endommagés doivent être remplacés avant d'utiliser le produit.

AVERTISSEMENT Ne jamais laisser la télécommande dans un emplacement où elle peut être activée par inadvertance.

AVERTISSEMENT Ne jamais laisser la télécommande du treuil branchée durant l'installation, le déroulement en roue libre, le câblage, l'entretien ou quand le treuil n'est pas utilisé.

La télécommande permet de commander la rotation de déroulement (marche avant) et d'enroulement (marche arrière) du tambour.

Ne pas laisser la télécommande branchée dans le treuil lorsque celui-ci n'est pas utilisé. Une télécommande qui reste branchée risque de provoquer l'activation accidentelle du treuil et/ou de vider la batterie.

Fonctionnement de l'embrayage :

AVERTISSEMENT Ne jamais embrayer ou débrayer si le treuil est sous charge, si le câble du treuil est en tension ou si le tambour est en train de tourner.

AVIS Toujours s'assurer d'avoir complètement embrayé ou complètement débrayé pendant l'utilisation du treuil.

Lorsque l'embrayage est en prise, le train d'engrenages est couplé au tambour du treuil et l'entraînement peut alors être transféré du moteur du treuil.

Lorsque l'embrayage est débrayé, le tambour est en position de déroulement en roue libre et le train d'engrenages et le tambour du treuil se désaccouplent, ce qui permet au tambour de tourner librement.

Le levier d'embrayage (spécifique à certains modèles) est généralement situé sur le carter du treuil en face du moteur et permet de commander la position de l'embrayage. Pour éviter tout dommage, tourner complètement le levier d'embrayage dans l'une ou l'autre position.

Déroulement du câble

AVERTISSEMENT Ne jamais utiliser le treuil avec moins de 5 spires de câble enroulées autour du tambour ou 10 spires, s'il s'agit d'un câble synthétique. Le câble pourrait se dérouler du tambour.

AVERTISSEMENT Toujours garder les mains



éloignées du câble du treuil, de la boucle du crochet, du crochet et de l'ouverture du guide-câble durant l'installation et l'utilisation de l'appareil et l'enroulement ou le déroulement du câble.



AVERTISSEMENT Toujours porter des gants de cuir épais durant la manipulation du câble du treuil.

Le déroulement en roue libre constitue généralement la façon la plus rapide et la plus facile de dérouler le câble du treuil. Avant de mettre le treuil en roue libre pour dérouler le câble, dérouler au moteur une quantité suffisante de câble pour soulager le câble de toute tension. Débrayer. Dérouler ensuite manuellement une quantité suffisante de câble pour pouvoir travailler avec le treuil. Voir le manuel de base des techniques de treuilage pour de plus amples informations, consultable en ligne sur le site <https://www.warn.com/manuals/index.jsp>.

AVIS Ne PAS dérouler le câble de plus de 9 m sans laisser refroidir le treuil pendant 20 minutes avant de recommencer l'enroulement. Utiliser plutôt l'embrayage en déroulement libre en tirant le câble à la main.

AVERTISSEMENT Toujours utiliser la sangle de crochet fournie pour enrouler ou dérouler le câble du treuil.



Enroulement sous charge

AVERTISSEMENT Ne jamais excéder la capacité nominale du treuil ou du câble de treuil.

Enrouler mécaniquement le câble du treuil sur le tambour de manière uniforme et serrée. Cela empêche les spires extérieures de s'enfoncer dans les spires intérieures, ce qui peut coincer et endommager le câble.

Pour éviter les charges de choc durant l'enroulement du câble, actionner l'interrupteur de commande de manière intermittente afin d'éliminer le mou du câble. Les charges de choc peuvent momentanément dépasser de loin la capacité du treuil et du câble.

Enroulement à vide

AVERTISSEMENT Ne jamais toucher le câble du treuil ou le crochet lorsqu'une autre personne se trouve à l'interrupteur de commande, quand le câble du treuil est sous charge ou durant le fonctionnement du treuil.

Déroulement avec un assistant : demander à un assistant de tenir la sangle de crochet en appliquant une tension aussi constante que possible sur le câble du treuil. Tout en

maintenant la tension, il devra se déplacer en direction du treuil pendant l'actionnement de l'interrupteur de commande pour enrouler le câble. Relâcher l'interrupteur lorsque le crochet parvient à une distance minimum de 2 m de l'ouverture du guide-câble.

Enrouler le reste du câble pour le ranger, de la manière indiquée ci-dessous.

Déroulement tout seul : Arranger le câble à enrouler de manière à ce qu'il ne s'entortille ni ne s'emmêle pendant le rebobinage. Veiller à ce que le câble soit enroulé sur le tambour de manière uniforme et serrée. Enrouler une quantité suffisante de câble pour compléter une couche entière sur le tambour. Serrer et étaler de manière égale la couche de câble. Faire de même jusqu'à ce que le crochet se trouve à au moins 2 m de l'ouverture du guide-câble.

Enroulement du reste du câble pour le ranger

Lorsque le crochet se trouve à moins de 2 m du guide-câble, détacher le crochet du point d'ancrage ou de la charge. En tenant la sangle de crochet fournie, maintenir la tension sur câble du treuil. Enrouler lentement le treuil en appliquant de petites pressions sur la touche « Power in » (enrouler) de la télécommande jusqu'à ce que le crochet soit à moins de 1 m du guide-câble.

Arrêter le treuilage et fixer le crochet sur un point d'ancrage approprié sur le véhicule.

AVIS Ne pas laisser le crochet atteindre le guide-câble. Cela pourrait endommager le guide-câble.

Une fois le crochet fixé correctement au véhicule, enrouler le câble de façon à éliminer le mou restant en appliquant de petites pressions sur la touche « Power in » (enrouler) de la télécommande jusqu'à ce que le mou soit minime sur le câble du treuil.

Surcharge/surchauffe

AVERTISSEMENT Toujours être attentif aux surfaces chaudes au niveau du moteur du treuil, du tambour ou du câble durant ou après l'utilisation du treuil.

Ce treuil est conçu pour un service intermittent. Lorsque le moteur est sur le point de caler, une accumulation rapide de chaleur se produit et peut endommager le moteur.

Le câblage double (voir le manuel de base des techniques de treuilage) permet de réduire le débit en ampères et de réduire ainsi l'accumulation de chaleur dans le moteur. Cela permet une utilisation continue prolongée.

Indicateur de température du moteur Ti (pour les modèles Ti)

Les modèles de treuil Ti sont équipés d'un capteur thermique monté sur le moteur. Il relaye les données de température à l'opérateur du treuil au moyen d'un voyant lumineux LED, qui se trouve sur la télécommande portable.

Le voyant LED de la télécommande clignote avant que le moteur n'atteigne une température pouvant entraîner des dommages. Arrêter le treuil dès que cette opération peut se faire en sécurité et laisser le moteur refroidir.

ÉTIREMENT DU CÂBLE DU TREUIL

AVERTISSEMENT Toujours étirer au préalable le câble et l'enrouler sous charge avant de l'utiliser.

AVERTISSEMENT Toujours inspecter le câble du treuil, le crochet et les élingues avant de faire fonctionner le treuil. Tout câble de treuil effiloché, tordu ou endommagé doit être remplacé immédiatement. Tous les composants endommagés doivent être remplacés avant d'utiliser le produit. Protéger toutes les pièces contre le risque de dommages.

Il est essentiel d'étirer (tendre) le câble pour assurer une longue durée de vie au produit. Tendre le câble empêchera les couches extérieures du câble de pincer et déformer les couches intérieures.

Lors de sa première utilisation, un câble neuf doit être enroulé sur son tambour sous une charge d'au moins 454 kg.

Suivre simplement les directives suivantes pour étirer correctement le câble sur le tambour.

AVERTISSEMENT Toujours porter des gants de cuir épais durant la manipulation du câble du treuil.



1. Choisir un emplacement PLAT ET DE NIVEAU suffisamment grand pour pouvoir dérouler le câble sur pratiquement toute sa longueur.
2. Débrayer.

AVERTISSEMENT Toujours garder les mains éloignées du câble du treuil, de la boucle du crochet, du crochet et de l'ouverture du guide-câble durant l'installation et l'utilisation de l'appareil et l'enroulement ou le déroulement du câble.

3. Saisir le cordon du crochet et dérouler le câble en laissant 5 spires de câble enroulées autour du tambour (10 spires s'il s'agit d'un câble synthétique).

4. S'assurer que le câble du treuil s'enroule sur le bas du tambour, sinon le frein de retenue automatique de la charge ne fonctionnera pas correctement. **REMARQUE** : Si le câble s'enroule sur le haut du tambour, cela signifie que l'on a actionné le treuil en mode de déroulement et non d'enroulement. S'assurer de l'enroulement du câble.

AVERTISSEMENT Toujours enrouler le câble du treuil sur le dessous (côté support) du tambour.

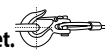


AVIS Afin que le frein du treuil fonctionne correctement, il faut que le câble du treuil s'enroule autour du tambour dans le sens indiqué. *Voir l'étiquette de sens de rotation du tambour apposée sur le treuil.

5. Une fois le câble du treuil déroulé, embrayer.

AVERTISSEMENT Toujours s'assurer que le loquet du crochet est fermé.

AVERTISSEMENT Toujours appliquer la charge uniquement au centre du crochet.



AVERTISSEMENT Ne jamais appliquer la charge sur l'extrémité du crochet ou utiliser un crochet plié ou tordu.

6. Fixer l'extrémité du crochet du câble à un point d'ancrage approprié.

AVERTISSEMENT Toujours s'assurer que tout obstacle pouvant gêner la bonne utilisation du treuil est écarté.

AVERTISSEMENT Ne jamais replier le câble du treuil sur lui-même. Utiliser une chaîne ou une sangle sur le point d'ancrage.



AVERTISSEMENT Toujours s'assurer que le point d'ancrage choisi peut supporter la charge et que la sangle ou la chaîne ne glisse pas.

7. Remonter dans le véhicule.
8. Reculer le véhicule de façon à l'éloigner du point d'ancrage jusqu'à laisser très peu de mou au niveau du câble.
9. Serrer le frein à main et mettre le véhicule en prise ou en position de stationnement, puis couper le moteur.
- AVERTISSEMENT** Toujours se tenir à l'écart du câble du treuil et de la charge durant l'utilisation et ne jamais laisser personne s'approcher.
10. Descendre du véhicule. **AVERTISSEMENT !** Ne jamais quitter le véhicule alors que le câble du treuil porte une charge. Se tenir à environ 2,44 m du treuil et enrouler le câble sur le tambour

INSTRUCTIONS RELATIVES À UNE PREMIÈRE UTILISATION

du treuil jusqu'à éliminer complètement le mou du câble.

⚠️ AVERTISSEMENT Ne jamais toucher le câble du treuil ou le crochet lorsqu'une autre personne se trouve à l'interrupteur de commande, quand le câble du treuil est sous charge ou durant le fonctionnement du treuil.

⚠️ AVERTISSEMENT Ne jamais laisser le câble du treuil glisser dans les mains.

11. Après avoir enfilé des gants, maintenir le câble tendu d'une main ; pousser avec précaution le câble vers le côté du tambour auquel le câble est fixé de façon à ce qu'il n'y ait pas d'espace entre les spires sur le tambour.
12. Par mesure de sécurité, les étapes suivantes devraient être effectuées par deux personnes. Si l'utilisateur tente de tendre le câble tout seul, il doit s'assurer de toujours mettre le frein à main, la transmission en prise ou en position de stationnement et d'éteindre le moteur du véhicule chaque fois qu'il descend du véhicule pour inspecter le câble du treuil. **AVIS** Prendre soin d'enrouler uniformément chaque couche pour éviter d'endommager le câble.

⚠️ AVERTISSEMENT Ne jamais utiliser la télécommande si le véhicule ne se trouve pas dans le champ de vision de l'utilisateur.

13. Le conducteur du véhicule doit actionner le treuil.
14. Demander à l'assistant de s'éloigner du véhicule et du câble. **REMARQUE :** L'assistant doit signaler si le câble du treuil s'enroule correctement en observant son déplacement sur le guide-câble pendant l'enroulement.
15. Démarrer le véhicule et placer la transmission au point mort. Desserrer ensuite le frein à main tout en appuyant modérément sur la pédale de frein.
16. Enrouler le câble du treuil pour commencer le treuillage.
17. Effectuer le treuillage sur environ 2 m, puis arrêter.
18. Relâcher lentement la pédale de frein, puis serrer le frein à main. Cela permet d'assurer qu'il n'y a aucune charge sur le câble.
19. Mettre le levier de vitesse en position de stationnement ou en prise, puis couper le moteur.

20. Descendre du véhicule et inspecter le treuil pour vous assurer que le câble est enroulé uniformément sur le tambour du treuil et qu'il ne creuse pas la couche inférieure. Si c'est le cas, dérouler le câble du treuil en appuyant sur le bouton de déroulement de la télécommande et répéter cette étape à partir du début en appliquant davantage de pression sur la pédale de frein.
21. Après s'être assuré que le câble du treuil s'enroule correctement sur le tambour, répéter la procédure jusqu'à ce que le véhicule soit à moins de 2 m du point d'ancrage. Une fois la distance atteinte, relâcher lentement la pédale de frein puis serrer le frein à main. Cela permet d'assurer qu'il n'y a aucune charge sur le câble. Mettre le levier de vitesse en position de stationnement ou en prise, puis couper le moteur.
22. Descendre du véhicule. Décrocher le crochet du point d'ancrage.
23. Tout en retenant le cordon du crochet fourni, maintenir la tension sur le câble du treuil et enrouler lentement le treuil par de petites pressions sur le bouton d'enroulement de la télécommande jusqu'à ce que le crochet soit à moins de 1 m du guide-câble.
24. Arrêter le treuillage et fixer le crochet sur un point d'ancrage approprié sur le véhicule.
25. Une fois le crochet fixé correctement au véhicule, enrouler le câble du treuil de façon à éliminer le mou restant en appliquant de petites pressions sur le bouton d'enroulement de la télécommande jusqu'à ce que le mou soit minime sur le câble du treuil.

AVIS Ne pas laisser le crochet atteindre le guide-câble. Cela pourrait endommager le guide-câble.

Câblage

Pour des détails complets sur les principes fondamentaux du câblage, consulter le manuel de base des techniques de treuillage sur le site <https://www.warn.com/manuals/index.jsp>.

DERNIÈRE ANALYSE ET ENTRETIEN

Contrôle	Avant la première utilisation	Après chaque utilisation	Tous les 90 jours
Prendre le temps de bien lire le manuel d'utilisation et/ou le manuel de base des techniques de treuillage, afin de comprendre le treuil et son fonctionnement.	X		
Vérifier les fixations et s'assurer qu'elles sont bien serrées aux couples de serrage indiqués. Remplacer toute fixation endommagée.	X		X
Vérifier que chaque composant est correct et que tous les points de connexion sont bien serrés;	X		X
Vérifier qu'il n'y a pas de fils exposés/nus, de bornes ou de câbles dont l'isolant est endommagé (frottement/coupure). Couvrir les parties exposées au moyen de capuchons. Au besoin, réparer ou remplacer les câbles électriques endommagés.	X		X
Inspecter le câble du treuil, le crochet et les élingues. Tout câble de treuil effiloché, tordu ou endommagé doit être remplacé immédiatement. Tous les composants endommagés doivent être remplacés avant d'utiliser le produit.	X	X	X
Garder le treuil, le câble et la télécommande exempts de contaminants. Utiliser un chiffon ou une serviette propre pour enlever les saletés et débris éventuels.		X	
Si le treuil est submergé dans de l'eau : Dérouler le câble du treuil puis enrouler à nouveau d'environ 9 mètres. Suivez la procédure intitulée « Étirement du câble du treuil » afin de sécher le treuil.	X	X	

Prendre le temps de bien se familiariser avec le treuil et son fonctionnement en examinant le Manuel de base des techniques de treuillage qui peut être consulté en ligne sur le site :

<https://www.warn.com/manuals/index.jsp>.

Pour plus d'informations ou pour toute question, contacter :

WARN INDUSTRIES, INC.

12900 S.E. Capps Road,

OR ÉTATS-UNIS 97015-8903, 1-503-722-1200,

Service à la clientèle : 1-800-543-9276

Registre des concessionnaires : 1-800-910-1122

Ou consulter le site www.warn.com.

Manual del usuario para el cabrestante

En este manual se incluye información de seguridad relevante, así como las instrucciones para utilizar el cabrestante. Es importante que lea **TODAS** las instrucciones y la información de seguridad **ANTES** de instalar y utilizar el cabrestante.

Al leer estas instrucciones, verá **ADVERTENCIAS, PRECAUCIONES, AVISOS** y **NOTAS**. Si no se tienen en cuenta estas instrucciones, podrían producirse lesiones graves o incluso la muerte. Las **ADVERTENCIAS** son mensajes de seguridad que indican que está ante una situación potencialmente peligrosa que, si no se evita, puede dar lugar a lesiones graves o la muerte. Las **PRECAUCIONES** son mensajes de seguridad que indican una situación de posible peligro que, si no se evita, puede dar lugar a lesiones menores o de poca gravedad. Las **PRECAUCIONES** y **ADVERTENCIAS** identifican el peligro, indican cómo evitarlo y advierten de las posibles consecuencias si no se evita tal peligro. Los **AVISOS** son mensajes para evitar daños materiales. Las **NOTAS** contienen información adicional que le ayudará a llevar a cabo un proceso. **TRABAJE SIEMPRE DE FORMA SEGURA**

GUARDE ESTE MANUAL y todos los documentos para consultas futuras y acuda a ellos con frecuencia para garantizar la seguridad de la operación en todo momento.

Advierta a todos los usuarios de que deben leer este manual antes de operar el producto.

Información del producto adicional disponible en línea:

- **Guía de instalación (idiomas extendidos)**
 - Proporciona instrucciones de instalación del cabrestante.
- **Guía básica de técnicas para el uso del cabrestante**
 - Proporciona un conocimiento básico del cabrestante y enseña las técnicas fundamentales y apropiadas para su uso. Es una fuente valiosa para ayudar a utilizar el cabrestante de forma segura y eficiente.
- **Especificaciones del producto y datos de rendimiento**
 - Proporciona especificaciones del producto, datos de rendimiento e información sobre piezas de repuesto.
- **Otra documentación del cabrestante específica para algunos productos**

Visite <https://www.warn.com/manuals/index.jsp> a fin de consultar la documentación del producto adicional o de repuesto disponible para su visualización o descarga.

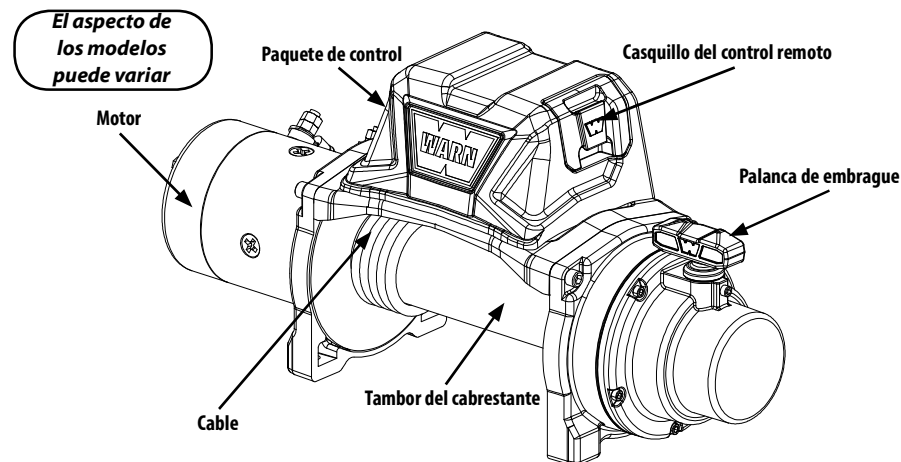


ÍNDICE:

INSTRUCCIONES

Conozca el cabrestante	16
Instrucciones del primer uso.....	17-20
Análisis final y mantenimiento	21

Antes de comenzar, debe familiarizarse con el cabrestante WARN® y con cada uno de sus componentes:



Motor:

El motor del cabrestante funciona con la batería del vehículo. El motor proporciona energía al mecanismo de engranajes, que gira el tambor del cabrestante y enrolla el cable del cabrestante.

Tambor del cabrestante:

El tambor del cabrestante es el cilindro en el cual se enrolla el cable del cabrestante. El motor acciona esta pieza y el tren accionador. Se puede cambiar el sentido de giro utilizando el control remoto inalámbrico avanzado.

Cable del cabrestante:

El diámetro del cable del cabrestante y su longitud se determinan de acuerdo a la capacidad de carga del cabrestante y al diseño del mismo. Enrollado alrededor del tambor del cabrestante y a través de la guía, el cable del cabrestante se enlaza al final para aceptar el perno del enganche.

Para modelos con cable sintético, consulte la Guía de instalación del cable sintético de WARN® para obtener instrucciones detalladas de instalación del cable sintético.

Palanca de embrague*:

El embrague permite al usuario desactivar el tambor de enrollado desde el sistema de engranajes, lo que permite al tambor girar libremente (llamado "enrollado manual"). Al embragar se vuelve a «bloquear» el tambor del cabrestante en el tren de engranajes.

Paquete de control:

Los contactores del paquete de control transmiten corriente al motor utilizando la energía eléctrica de la batería del vehículo. Esto permite que el usuario cambie la dirección de la rotación del tambor del cabrestante.

Para aplicaciones específicas, puede encontrar los detalles del Kit de reubicación del paquete de control opcional en su distribuidor autorizado de WARN® o en www.warn.com.

Casquillo del control remoto*:

El casquillo del control remoto es donde el operador enchufa el control remoto con cable o el receptor del control remoto sin cables opcional para controlar el cabrestante.

* Solo disponible en algunos modelos.



ANTES DE COMENZAR, dedique un tiempo a leer todas las instrucciones y la información de seguridad antes de instalar y utilizar el cabrestante.

Paso 1: Instalación del cabrestante

ATENCIÓN Elija siempre una ubicación de montaje que sea lo suficientemente sólida para soportar la capacidad de carga máxima del cabrestante.

Consulte la guía de instalación específica del producto para ver las instrucciones de montaje y cableado.

Paso 2: Comprobación del sistema

Comprobación del sistema de funcionamiento:

1. Compruebe las sujeciones y asegúrese de que están bien apretadas y que el torque es el apropiado.
2. Verifique que todo el cableado eléctrico de todos los componentes es correcto y que todas las conexiones están bien apretadas.
3. Verifique que no hay cableado ni terminales expuestos/al aire o daños en el aislante.
4. Lea toda la Guía básica de técnicas para el uso del cabrestante antes de utilizar el cabrestante (<https://www.warn.com/manuals/index.jsp>)

Una vez realizada la comprobación del sistema, es posible proceder a las «Instrucciones del primer funcionamiento».

Paso 3: Instrucciones del primer funcionamiento

En esta sección le mostraremos las instrucciones del primer funcionamiento para un uso del cabrestante básico efectivo. Para consultar toda la operación y las técnicas de uso del cabrestante, consulte la Guía básica de técnicas para el uso del cabrestante, que puede encontrar en línea en <https://www.warn.com/manuals/index.jsp>. **ATENCIÓN** No use nunca el cabrestante como grúa o para suspender una carga.

ATENCIÓN No utilice nunca el cabrestante para levantar o desplazar personas.



Control remoto:

ATENCIÓN Mantenga siempre el cable del control remoto y el cable de alimentación alejados del tambor, del cable y del cordaje. Inspeccione el aparato para comprobar la posible existencia de grietas, pellizcos, cables pelados o conexiones sueltas. Los componentes dañados deberán reemplazarse antes de la operación.

ATENCIÓN No deje nunca el control remoto donde pueda activarse de forma accidental.

ATENCIÓN No deje nunca el control remoto del cabrestante conectado cuando se esté instalando o haciendo enrollado libre, maniobras o mantenimiento ni cuando no se esté utilizando el cabrestante.

El control remoto posibilita el control de la rotación hacia delante (desenrollado) y hacia atrás (enrollado) del tambor de enrollado.

No deje el control remoto conectado al cabrestante cuando no se esté utilizando. Si se deja el control remoto conectado, puede producirse una activación accidental o gastarse la batería.

Accionamiento del embrague:

ATENCIÓN Nunca embrague ni desembrague si el cabrestante está soportando una carga, si el cable está en tensión o si el tambor está en movimiento.

AVISO Compruebe siempre que se ha embragado o desembragado completamente al utilizar el cabrestante.

Cuando el embrague está activado, el sistema de engranajes se acopla al tambor del cabrestante y, en estas condiciones, puede transferirse movimiento desde el motor del cabrestante.

Cuando el embrague está desembragado el tambor se encuentra en posición de enrollado manual y el sistema de engranajes y el tambor del cable del cabrestante están desengranados, lo que permite que el tambor gire libremente.

La palanca del embrague (*solo disponible en algunos modelos*) está ubicada en la cubierta del cabrestante, enfrente del motor y controla la posición del embrague. Para evitar daños, engrane y desengrane siempre completamente la palanca del embrague.

Desenrollado

ATENCIÓN No accione nunca el cabrestante si no hay, al menos, 5 vueltas de cable metálico o 10 vueltas de cable sintético alrededor del tambor. El cable podría salirse.

ATENCIÓN Mantenga siempre las manos alejadas del cable del cabrestante, del bucle del gancho, del gancho y de

la abertura de la guía durante la instalación, el funcionamiento y en el enrollado y desenrollado.



ATENCIÓN Siempre lleve puestos guantes gruesos de cuero para manipular el cable del cabrestante.

Generalmente, el desenrollado manual es la forma más rápida y sencilla de sacar el cable del cabrestante. Antes de proceder al desenrollado manual, saque suficiente cable del cabrestante a fin de eliminar cualquier tensión a la que pueda estar sometido el mismo. Quite el embrague. A continuación, proceda al desenrollado manual, sacando manualmente suficiente cable del cabrestante para la operación. Consulte la Guía básica de técnicas para el uso del cabrestante para obtener más información, que puede encontrar en línea en: <https://www.warn.com/manuals/index.jsp>.

AVISO NO desenrolle el cable más de 9 metros (30 pies) sin dejar que el cabrestante se enfríe durante 20 minutos antes de volver a enrollar el cable. En su lugar, coloque el embrague en posición de enrollado libre y tire del cable a mano.

ATENCIÓN Utilice siempre la correa del gancho suministrada cuando vaya a enrollar o desenrollar el cable del cabrestante.



Enrollado con carga

ATENCIÓN No exceda nunca la capacidad nominal del cabrestante ni del cable del cabrestante.

Enrolle el cable del cabrestante uniformemente y bien tensado alrededor del tambor. Esto evita que las vueltas más externas del cable del cabrestante se hundan en las vueltas internas; asimismo, evita atascamientos y daños al cable del cabrestante.

Evite las sacudidas de la carga cuando esté enrollando; para ello, pulse el interruptor de control a fin de tensar y hacer entrar las porciones del cable del cabrestante que puedan quedar flojas. Las sacudidas de la carga pueden hacer sobrepasar momentáneamente la capacidad nominal del cabrestante y del cable.

Enrollado sin carga

ATENCIÓN Nunca toque el cable del cabrestante ni el gancho si hay alguien cerca del interruptor de control, cuando el cable del cabrestante tenga carga o si el cabrestante está en funcionamiento.

Enrollado o desenrollado con un ayudante: Pida al ayudante que sujete la correa del gancho tensando el cable del cabrestante de forma constante y tanto como sea posible. Mientras mantiene la tensión, el ayudante debe caminar

hacia el cabrestante mientras usted acciona el interruptor de control para enrollar el cable del cabrestante. Suelte el interruptor cuando el gancho esté a una distancia mínima de 2 m (6 pies) de la abertura de la guía.

Luego, enrolle la parte final del cable para almacenarlo tal como se indica a continuación.

Enrollado o desenrollado solo: Disponga el cable del cabrestante de forma que no se doble ni se trabe al enrollarlo. Asegúrese de que el cable del cabrestante ya enrollado alrededor del tambor esté bien tenso y dispuesto en capas uniformes. Enrolle suficiente cable del cabrestante como para formar la siguiente capa completa en el tambor. Tense y enderece la capa. Repita este proceso hasta que el gancho quede a una distancia mínima de 2 m (6 pies) de la abertura de la guía.

Enrollado del resto del cable para el almacenamiento

Cuando el gancho se encuentre a 2 m (6 pies) de la guía, desconéctelo del punto de anclaje o carga. Sostenga la correa del gancho (incluida con el producto) y mantenga la tensión en el cable del cabrestante. Enrolle el cabrestante lentamente pulsando el botón de enrollado en el control remoto hasta que el gancho se encuentre a 1 metro (3 pies) de la guía.

Pare de enrollarlo y enganche el gancho al punto de anclaje apropiado en el vehículo.

AVISO No permita que el gancho toque la guía. Esto podría causar daños a la guía.

Una vez que el gancho esté bien acoplado al vehículo, enrolle el resto del cable suelto pulsando el interruptor de enrollado en el control remoto hasta que haya una holgura mínima en el cable.

Sobrecarga/sobrecalentamiento

ATENCIÓN Tenga siempre en cuenta que las superficies del motor, del tambor o del cable del cabrestante pueden estar calientes durante o después del uso del mismo.

El cabrestante está indicado para un servicio intermitente. Cuando el motor se aproxima a la velocidad crítica, se genera calor muy rápidamente, lo que puede ocasionar daños al motor.

El maniobrado con línea de doble cable (consulte la Guía básica de técnicas para el uso del cabrestante) reduce el amperaje de consumo y el recalentamiento del motor. Esto permite un uso continuo más prolongado.

Indicador De Temperatura Del Motor Ti (Para modelos Ti)

Los cabrestantes del modelo Ti están equipados con un sensor térmico montado en el motor que proporciona información sobre la temperatura al usuario del cabrestante a través de un indicador de luz LED situado en el control remoto de mano.

La luz del control remoto parpadea antes de que el motor del cabrestante alcance una temperatura que pueda dañarlo. Detenga el funcionamiento del cabrestante en cuanto sea seguro hacerlo y espere a que se enfríe el motor.

ESTIRAMIENTO DEL CABLE DEL CABRESTANTE

ATENCIÓN Realice siempre un estiramiento previo del cable y vuelva a enrollarlo con carga antes de usarlo.

ATENCIÓN Inspeccione siempre el cable del cabrestante, el gancho y las eslingas antes de poner el cabrestante en funcionamiento. Si el cable del cabrestante está pelado, retorcido o dañado, deberá reemplazarse de inmediato. Los componentes dañados deberán reemplazarse antes de la operación. Evite que las piezas resulten dañadas.

Estirar (tensar) el cable del cabrestante es fundamental para garantizar una larga vida útil del mismo. Al tensarse el cable del cabrestante se evitará que sus capas exteriores pellizquen o deformen las capas interiores.

Durante su primer uso, un cable del cabrestante nuevo debe enrollarse en el tambor bajo una carga de, por lo menos, 454 kg (1000 libras).

Siga las siguientes instrucciones para tensar el cable del cabrestante correctamente en el tambor del cabrestante.

ATENCIÓN Lleve siempre puestos guantes resistentes al manipular el cable del cabrestante.



1. Escoja una superficie PLANA Y PAREJA que sea lo suficientemente amplia como para poder extender casi todo el cable del cabrestante.
2. Desembrague.

ATENCIÓN Mantenga siempre las manos alejadas del cable del cabrestante, del bucle del gancho, del gancho y de la abertura de la guía durante la instalación, el funcionamiento y en el enrollado y desenrollado.

3. Sujete la correa del gancho y desenrolle el

cable del cabrestante del tambor hasta las últimas 5 vueltas (10 vueltas si es un cable sintético).

4. Verifique que el cable del cabrestante se enrolle en la parte inferior del tambor, ya que, en caso contrario, el freno de carga automático no funcionará correctamente. **NOTA:** Si el cable del cabrestante se enrolla en la parte superior del tambor, habrá desenrollado el cabrestante en lugar de enrollarlo. Asegúrese de que lo está enrollando.

ATENCIÓN Siempre enrolle el cable del cabrestante en la parte inferior (lado de montaje) del tambor.



AVISO Para un funcionamiento adecuado del freno del cabrestante, el cable de este debe estar enrollado en el tambor en la dirección especificada. *Consulte la etiqueta de rotación del tambor situada en el cabrestante.

5. Una vez desenrollado el cable del cabrestante, active el embrague.

ATENCIÓN Verifique siempre que el seguro del gancho está cerrado.



ATENCIÓN Aplique la carga únicamente en el centro del gancho.

ATENCIÓN No aplique nunca una carga en la punta del gancho ni utilice un gancho que esté doblado o torcido.

6. Acople el extremo del cable con gancho a un punto de anclaje apropiado.

ATENCIÓN Retire siempre cualquier obstáculo que pueda interferir en la seguridad de la operación del cabrestante.

ATENCIÓN No enrolle nunca el cable del cabrestante sobre sí mismo. Utilice una cadena o correa en el anclaje.



ATENCIÓN Verifique siempre que el andaje seleccionado soportará la carga y que la correa o la cadena no se deslizará.

7. Vuelva al vehículo.
8. Aleje el vehículo del punto de anclaje hasta que quede muy poco cable del cabrestante suelto.
9. Ponga el freno de mano, deje una velocidad puesta o en modo aparcado (vehículos automáticos) y apague el vehículo.

ATENCIÓN Manténgase siempre alejado del cable del cabrestante y de la carga, y no deje que otros se acerquen cuando el cabrestante esté en funcionamiento.

10. Salga del vehículo. **ADVERTENCIA.** No salga nunca del vehículo con una carga aplicada al cable. Dejando una distancia de aproximadamente 2,44 metros (8 pies) del cabrestante, enrolle el cable hasta que se halla enrollado todo el cable suelto en el tambor del cabrestante.

ATENCIÓN Nunca toque el cable del cabrestante ni el gancho si hay alguien cerca del interruptor de control, cuando el cable del cabrestante tenga carga o si el cabrestante está en funcionamiento.

ATENCIÓN Nunca deje que el cable del cabrestante se deslice por sus manos.

11. Usando guantes, mantenga la tensión en el cable del cabrestante con una mano; empuje cuidadosamente el cable del cabrestante hacia el lado del tambor al que esté enganchado, de forma que no haya espacios libres en el tambor entre cada vuelta.

12. Para una mayor seguridad, dos personas deberán realizar los pasos siguientes. Si trata de tensar el cable del cabrestante usted solo, verifique siempre que el freno de mano esté puesto, deje una velocidad puesta o estacione y apague el vehículo cada vez que lo abandone para inspeccionar el cable del cabrestante. **AVISO** Procure enrollar cada vuelta parejamente para evitar daños en el cable.

ATENCIÓN No utilice nunca el control remoto cuando el vehículo no está a la vista del operador.

13. El conductor del vehículo debe operar el cabrestante.

14. Pida a su ayudante que se ubique en la parte lateral del vehículo, alejado del cable del cabrestante. **NOTA:** Su ayudante deberá indicarle si el cable del cabrestante se está enrollando correctamente a medida que observa cómo se desplaza por la guía mientras se enrolla el cable del cabrestante.

15. Arranque el vehículo y ponga la transmisión en punto muerto. A continuación, suelte el freno de mano mientras presiona moderadamente el pedal del freno.

16. Conecte el cable del cabrestante para empezar a enrollarlo.

17. Después de enrollar aproximadamente 2 m (6 pies) de cable, pare el enrollado.

18. Lentamente, deje de presionar el pedal del freno para aplicar el freno de mano. Esto garantizará que no haya carga en el cable del cabrestante.

19. Ponga la transmisión en modo aparcado (vehículos automáticos) o ponga una velocidad con la palanca de cambios y apague el vehículo.

20. Salga del vehículo y asegúrese de que el cable del cabrestante esté enrollándose de forma pareja en el tambor del cabrestante y no hundiéndose en la capa inferior. Si el cable del cabrestante se está hundiendo, desenróllelo pulsando el botón de desenrollado en el control remoto y repita este paso desde el principio con más presión en el pedal del freno.

21. Cuando esté convencido de que el cable del cabrestante está enrollándose correctamente en el tambor, repita los pasos hasta que el vehículo se encuentre a 2 metros (6 pies) del anclaje del cabrestante. Una vez que esté a 2 m (6 pies), deje de presionar el pedal del freno lentamente para utilizar el freno de mano. Esto garantizará que no haya carga en el cable del cabrestante. A continuación, ponga la transmisión en aparcado (vehículos automáticos) o ponga una velocidad con la palanca de cambios y apague el vehículo.

22. Salga del vehículo. Desenganche el gancho del punto de anclaje.

23. Mientras que sostiene la correa del gancho (incluida en el producto), mantenga la tensión en el cable del cabrestante y enróllelo lentamente «pulsando» el botón de enrollado en el control remoto hasta que el gancho se encuentre a 1 m (3 pies) de la guía.

24. Pare de enrollarlo y enganche el gancho al punto de almacenamiento apropiado en el vehículo.

25. Una vez que el gancho esté bien acoplado al vehículo, enrolle el resto del cable suelto «pulsando» el botón de enrollado en el control remoto hasta que haya una holgura mínima en el cable.

AVISO No permita que el gancho toque la guía. Esto podría causar daños a la guía.

Maniobrado

Para ver los fundamentos del maniobrado, consulte la Guía básica de técnicas para el uso del cabrestante, que puede encontrar en línea en <https://www.warn.com/manuals/index.jsp>.

Comprobar	Antes del primer uso	Después de cada uso	Cada 90 días
Lea detenidamente las Instrucciones, la Guía de operación o la Guía básica de técnicas del cabrestante para comprender el funcionamiento y la manipulación del cabrestante.	X		
Compruebe las sujeciones y asegúrese de que están bien apretadas y que el torque es el apropiado. Sustituya todos los elementos de fijación que estén dañados.	X		X
Verifique que el cableado de todos los componentes es correcto y que todas las conexiones están bien apretadas.	X		X
Verifique que no hay cableado ni terminales expuestos/al aire o daños en el aislante (desgaste/corte). Cubra las exposiciones con fundas para terminales. Repare o sustituya los cables eléctricos dañados.	X		X
Inspeccione el cable del cabrestante, el gancho y las eslingas. Si el cable del cabrestante está pelado, retorcido o dañado, deberá reemplazarse de inmediato. Los componentes dañados deberán reemplazarse antes de la operación.	X	X	X
Mantenga libres de contaminantes el cabrestante, el cable y el control de conmutación. Utilice un paño limpio o una toalla para quitar la suciedad y los restos.		X	
Si el cabrestante se ha sumergido en agua: Desenrolle el cable del cabrestante y vuelva a enrollar aproximadamente 9 m (30 pies). Siga el procedimiento recogido en «Estiramiento del cable del cabrestante» para secar completamente el cabrestante.	X	X	

Tómese su tiempo para comprender completamente el cabrestante y su funcionamiento revisando la Guía básica de técnicas de uso del cabrestante que puede encontrar en línea aquí:

<https://www.warn.com/manuals/index.jsp>.

Para más información o preguntas póngase en contacto con:

WARN INDUSTRIES, INC.

12900 S.E. Capps Road, Clackamas

OR (EE. UU.) 97015-8903, 1-503-722-1200,

Servicio de atención al cliente: 1-800-543-9276

Servicio localizador de distribuidor: 1-800-910-1122

O visite www.warn.com.

Windenbedienungsanleitung

Die vorliegende Anleitung enthält wichtige Sicherheitsinformationen und Anweisungen zur Installation und zum Betrieb Ihrer Winde. Es ist wichtig, **SÄMTLICHE** Anweisungen und Sicherheitsinformationen zu lesen, **BEVOR** Sie Ihre Winde installieren und bedienen.

In diesem Handbuch befinden sich mit ACHTUNG gekennzeichnete **WARNHINWEISE**, **VORSICHTSMASSNAHMEN**, **WICHTIGE ANMERKUNGEN** und **HINWEISE**. Die Missachtung dieser Anweisungen kann zu schweren oder tödlichen Verletzungen führen. **WARNHINWEISE** sind Sicherheitshinweise, die auf eine möglicherweise gefährliche Situation hinweisen, die zu schweren oder tödlichen Verletzungen führen kann, wenn sie nicht vermieden wird. **VORSICHTSMASSNAHMEN** sind Sicherheitshinweise, die auf eine möglicherweise gefährliche Situation hinweisen, die zu leichten oder mäßigen Verletzungen führen kann, wenn sie nicht vermieden wird. **VORSICHTSMASSNAHMEN** und **WARNHINWEISE** kennzeichnen die Gefahr, weisen auf Möglichkeiten zur Vermeidung der Gefahr hin, und geben Aufschluss über die möglichen Folgen, wenn diese Gefahr nicht vermieden wird. Das Signalwort **WICHTIG** weist auf Anmerkungen mit Vorgehensweisen zur Vermeidung von Sachschäden hin. **HINWEISE** liefern zusätzliche Informationen, die Ihnen helfen, ein bestimmtes Verfahren durchzuführen. **BITTE UNBEDINGT ALLE SICHERHEITSMASSNAHMEN BEACHTEN!**

HEBEN SIE DIESES HANDBUCH und sonstige Produktdokumentation auf, um künftig darin nachlesen zu können und einen dauerhaft sicheren Betrieb zu gewährleisten.

Weisen Sie alle Benutzer dieses Produkts darauf hin, dass dieses Handbuch vor dem Betrieb des Produkts zu lesen ist.

Zusätzliche online verfügbare Produktdokumentation:

• Installationsanleitung (erweiterte Sprachen)

- Bietet Winde Installationsanweisungen.

• Grundlegende Richtlinien zur Windentechnik

- Vermitteln ein grundlegendes Verständnis der Funktionsweise Ihrer Winde und ordnungsgemäßer Windentechnik. Dies ist eine wertvolle Ressource für sicheren und effizienten Windenbetrieb.

• Produktspezifikationen und Leistungsdaten

- Liefern Produktspezifikationen, Leistungsdaten und Ersatzteilinformationen.

• Sonstiges produktspezifisches Dokumentationsmaterial

Rufen Sie zum Anzeigen/Herunterladen von zusätzlichem Informationsmaterial über Produkte oder Ersatzteile [https://](https://www.warn.com/manuals/index.jsp)

www.warn.com/manuals/index.jsp auf.

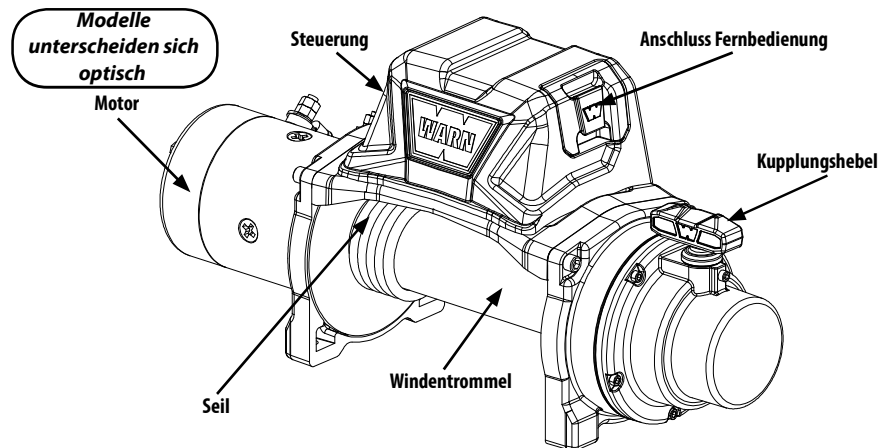


INHALTSVERZEICHNIS:

ANLEITUNG

Kennenlernen der Winde.....	23
Anleitung für den erstmaligen Betrieb.....	24-27
Abschließende Prüfung und Wartung	28

Bevor Sie beginnen müssen Sie sich mit der WARN®-Winde und ihren Komponenten vertraut machen.



Motor: Der Motor der Winde wird mit der Batterie des Fahrzeugs betrieben. Der Motor überträgt die Kraft an das Getriebe, welches die Windentrommel dreht und das Windenseil betätigt.

Windentrommel: Die Windentrommel ist der Zylinder, auf den sich das Windenseil aufrollt. Die Trommel wird vom Motor und Antriebsstrang bewegt. Die Laufrichtung kann über die moderne kabellose Fernbedienung geändert werden.

Windenseil: Durchmesser des Windenseils und Länge werden von Bauart und Last, auf welche die Winde ausgelegt ist, bestimmt. Das Windenseil wird um die Trommel gewickelt und tritt durch die Seilführung aus. Am Seilende befindet sich eine Schlaufe für den Lastösenbolzen des Windenhakens.

Für Modelle mit Synthetikseil bitte die detaillierte WARN® Synthetikseil-Installationsanleitung vollständig lesen.

Kupplungshebel*: Die Kupplung ermöglicht es dem Bediener, die Windentrommel manuell vom Getriebe zu entkoppeln. Die Trommel kann sich dann frei drehen (auch als „Leerlauf“ bezeichnet). Durch Einkuppeln wird die Windentrommel wieder fest mit dem Getriebe verbunden.

Steuerung: Der über die Fahrzeugbatterie gespeiste Schaltschütz in der Steuerung überträgt Strom an den Motor, um die Änderung der Trommeldrehrichtung zu bewirken.

Einzelheiten zum optionalen Control Pack Relocation Kit für die Versetzung der Steuerung erhalten Sie bei Ihrem autorisierten WARN®-Händler oder unter www.warn.com.

Anschluss Fernbedienung*: Mit dem Anschluss der Fernbedienung werden die Stecker der Kabelfernbedienung (oder der optionalen kabellosen Fernbedienung) verbunden, um die Winde zu steuern.

* Je nach Modell.



BEVOR SIE BEGINNEN: Lesen Sie sämtliche Anweisungen und Sicherheitsinformationen, bevor Sie Ihre Winde installieren und bedienen.

Schritt 1: Winde installieren

ACHTUNG Immer eine Befestigungsstelle wählen, die fest genug ist, um der maximalen Nennleistung der Winde standhalten zu können.

Beachten Sie bei Montage und Verkabelung die produktspezifische Installationsanleitung.

Schritt 2: Systemprüfung

Vorgehensweise bei der Systemprüfung:

1. Prüfen Sie die Befestigungselemente und vergewissern Sie sich, dass sie fest und mit dem richtigen Drehmoment angezogen sind.
2. Vergewissern Sie sich, dass die Elektroverkabelung aller Komponenten korrekt ist, und stellen Sie sicher, dass alle Anschlusspunkte fest sitzen.
3. Vergewissern Sie sich, dass es keine offenen/ nicht isolierten Kabel, Anschlussstecker oder Schäden an der Kabelisolierung gibt.
4. Lesen Sie die grundlegenden Richtlinien zur Windentechnik vollständig, bevor Sie Ihre Winde in Betrieb nehmen (<https://www.warn.com/manuals/index.jsp>)

Sobald Sie die Systemprüfung durchgeführt haben, können Sie sich der „Anleitung für den erstmaligen Betrieb“ zuwenden.

Schritt 3: Anleitung für den erstmaligen Betrieb

In diesem Abschnitt erhalten Sie eine Anleitung für den erstmaligen, grundlegenden effektiven Windenbetrieb. Für umfassendere Informationen über Windenbetrieb und -techniken lesen Sie bitte die „Grundlegenden Richtlinien zur Windentechnik“, die Sie online unter <http://https://www.warn.com/manuals/index.jsp> finden.

ACHTUNG Winde niemals als Hebevorrichtung oder zum Anheben von Lasten verwenden.



ACHTUNG Winde niemals als Lift oder zur Beförderung von Personen verwenden.



Fernbedienung:

ACHTUNG Fernsteuerungs- und Stromversorgungskabel immer von der Trommel, dem Seil und den Befestigungsvorrichtungen fernhalten. Auf rissige, geknickte oder ausgefranste Drähte oder lockere Anschlüsse achten. Beschädigte Komponenten sind vor der Inbetriebnahme auszuwechseln.

ACHTUNG Fernsteuerung immer entfernen, damit sie nicht versehentlich aktiviert werden kann.

ACHTUNG Fernsteuerung beim Installieren, Freilauf, Abspannen, bei Wartungs-/Reparaturarbeiten oder bei Nichtgebrauch der Winde niemals angeschlossen lassen.

Mit der Fernbedienung kann die Drehrichtung der Seiltrommel auf „abspulen“ (vorwärts) oder „aufspulen“ (rückwärts) eingestellt werden.

Trennen Sie die Fernbedienung von der Winde, wenn diese nicht verwendet wird. Bleibt die Fernbedienung eingesteckt, so könnte sie versehentlich aktiviert werden. Außerdem führt dies zu Batterieverbrauch.

Kupplungsbetrieb:

ACHTUNG Niemals die Kupplung bei belasteter Winde, gespanntem Windenseil oder sich bewegender Seiltrommel ein- oder ausrasten lassen.

ZU BEACHTEN Immer darauf achten, dass die Kupplung vollständig ein- oder ausgerastet ist, wenn die Winde in Betrieb ist.

Bei eingerasteter Kupplung ist das Getriebe mit der Windentrommel verbunden, und es kann Kraft vom Windenmotor übertragen werden.

Wenn die Kupplung ausgekuppelt ist befindet sich die Trommel im Leerlauf (Seilfreilauf), und es besteht keine Verbindung zwischen dem Getriebe und der Windentrommel. Die Trommel dreht sich somit ungehindert.

Der Kupplungshebel (je nach Modell) befindet sich üblicherweise auf dem Windengehäuse auf der anderen Seite des Motors und steuert die Kupplungstätigkeit. Um Schäden zu vermeiden muss mit dem Hebel stets vollständig ein- oder ausgekuppelt werden.

Abspulen

ACHTUNG Niemals die Winde mit weniger als 5 Seilwicklungen (oder 10 Windungen bei einem synthetischen Seil) um die Trommel betreiben. Das Seil könnte sich von der Trommel lösen.

ACHTUNG Immer Kontakt mit dem Windenseil, der Öse, dem Haken und der Seilführung während der Installation, des Betriebs und beim Ab- und Aufspulen vermeiden.



ACHTUNG Bei der Handhabung des Windenseils immer schwere Lederhandschuhe tragen.

Beim Freilauf handelt es sich generell um die schnellste und einfachste Methode, das Windenseil abzuspuhlen. Bevor das Windenseil im Freilauf von der Winde gespult wird, sollte so viel Seil abgerollt werden, dass jegliche Spannung entfernt wird. Kupplung lösen. Dann per Hand genug Seil für den Windenbetrieb abspulen. Weitere Informationen entnehmen Sie bitte den „Grundlegenden Richtlinien zur Windentechnik“ online unter: <https://www.warn.com/manuals/index.jsp>.

ZU BEACHTEN Spulen Sie NICHT mehr als 10 m Seil ab, ohne die Winde 20 Minuten abkühlen zu lassen, bevor Sie das Seil wieder aufspulen. Schalten Sie stattdessen die Kupplung in den Freilauf und ziehen Sie das Seil manuell ab.

ACHTUNG Beim Auf- und Abspulen des Windenseils immer den mitgelieferten Hakengurt verwenden.



Aufspulen unter Last

ACHTUNG Niemals die Nennkapazität der Winde bzw. des Windenseils überschreiten.

Das Windenseil gleichmäßig einziehen und fest um die Trommel legen. Dadurch wird verhindert, dass die äußeren Wickelschichten die darunter liegenden Schichten und Wicklungen und somit das Windenseil beschädigen.

Vermeiden Sie Stoßbelastungen beim Spulen, indem Sie regelmäßig den Steuerschalter verwenden, um lockere Seilabschnitte einzuziehen. Stoßbelastungen können die Nennwerte der Winde und des Seils kurzzeitig weit überschreiten.

Aufspulen ohne Last

ACHTUNG Niemals während des Windenbetriebs, wenn jemand anders die Steuerung der Winde übernommen hat oder wenn das Windenseil belastet ist, Windenseil oder Haken berühren.

Spulen mit Hilfspersonal: Lassen Sie das Hilfspersonal den Hakengurt halten, wobei diese Person das Windenseil ohne Unterbrechung und möglichst stark spannt. Unter Aufrechterhaltung der Spannung sollte diese Person nun auf die Winde zugehen, während Sie das Seil unter Verwendung des Steuerschalters aufspulen. Schalter loslassen, wenn der Haken mindestens 2 m von der Führungsöffnung entfernt ist.

Das restliche Seil nun zu Lagerzwecken wie folgt aufspulen.

Alleine spulen: Legen Sie das Windenseil so, dass es beim Aufspulen weder geknickt wird oder hängen bleiben kann. Vergewissern Sie sich, dass die Seillagen um die Trommel fest und gleichmäßig angeordnet sind. So viel Seil aufspulen, bis die nächste Lage um die Trommel voll ist. Seillage festziehen und gerade ausrichten. Wiederholen Sie diesen Vorgang, bis der Haken mindestens 2 m vom Seilfenster entfernt ist.

Aufspulen des Restseils zu Lagerzwecken

Den Haken vom Anker oder der Last lösen, wenn er sich 2 m von der Führung entfernt befindet. Den mitgelieferten Hakengurt festhalten und sicherstellen, dass das Windenseil weiterhin unter Spannung steht. Wickeln Sie das Seil langsam durch mehrfaches kurzes Einschalten der Wickelfunktion an der Fernsteuerung so weit auf, dass der Haken weniger als 1 m von der Seilführung entfernt ist.

Windenvorgang beenden und den Haken an einem geeigneten Ankerpunkt am Fahrzeug befestigen.

ZU BEACHTEN Nicht den Haken in die Seilführung ziehen. Dadurch könnte die Seilführung beschädigt werden.

Sobald der Haken an einer geeigneten Stelle am Fahrzeug befestigt ist, wickeln Sie das Windenseil durch mehrfaches kurzes Einschalten der Winde an der Fernsteuerung weiter auf, bis das Seil fast gespannt ist.

Überlastung/Überhitzung

ACHTUNG Während des Betriebs und nach Verwendung der Winde immer auf möglicherweise heiße Flächen in der Nähe des Motors, der Trommel oder des Seils achten.

Die Winde ist für den Aussetzbetrieb vorgesehen. Sinkt die Drehzahl, sodass die Gefahr besteht, dass der Motor bald stehen bleibt, kann sich die Winde sehr schnell erhitzen und den Motor beschädigen.

Bei Verwendung einer Umlenkrolle (siehe Richtlinien zur Windentechnik) werden die Stromaufnahme und die Hitzebildung im Motor reduziert. Dadurch verlängert sich die mögliche Einsatzzeit der Winde.

Ti-Motor-Temperaturanzeige (bei Ti-Modellen)

Winden des Ti-Modells sind mit einem am Motor montierten Wärmesensor ausgestattet, der Temperaturinformationen mit Hilfe einer LED-Anzeige an der Fernbedienung an den Bediener der Winde weitergibt.

Die LED-Anzeige an der Fernbedienung blinkt, bevor der Windenmotor eine zu hohe Temperatur erreicht. Stoppen Sie den Windenbetrieb, sobald dies auf sichere Weise möglich ist, und lassen Sie den Motor abkühlen.

SPANNEN DES WINDENSEILS

ACHTUNG Immer vor Inbetriebnahme das Seil spannen und unter Last neu aufspulen.

ACHTUNG Windenseil, Haken und Schlingen vor Inbetriebnahme der Winde immer prüfen. Ausgefranste, geknickte oder beschädigte Windenseile müssen umgehend ausgetauscht werden. Beschädigte Komponenten sind vor der Inbetriebnahme auszutauschen. Alle Einzelteile sind vor Schäden zu schützen.

Das korrekte Spannen (Straffen) des Windenseils trägt entscheidend dazu bei, dass es lange nutzbar bleibt. Durch das Anspannen des Windenseils wird verhindert, dass die inneren Lagen des Windenseils durch die äußeren Wicklungen eingeklemmt und verformt werden.

Beim ersten Gebrauch muss ein neues Windenseil mit einer Last von mindestens 454 kg auf die Trommel gespult werden.

Folgende Anweisungen beachten, damit das Windenseil korrekt auf die Windentrommel aufgespult wird.

ACHTUNG Immer schwere Handschuhe bei der Handhabung des Windenseils tragen.



1. Wählen Sie einen FLACHEN UND EBENEN Standort mit ausreichend Platz, um das Windenseil fast in ganzer Länge auszulegen.
2. Kuppeln Sie aus.

ACHTUNG Immer Kontakt mit dem Windenseil, der Ose, dem Haken und der Seilführung während der Installation, des Betriebs und beim Ab- und Aufspulen vermeiden.

3. Windenseil am Hakengurt bis auf 5 Trommelumwindungen abspulen (10 Umwindungen bei synthetischen Seilen).
4. Vergewissern Sie sich, dass das Windenseil auf der Unterseite der Trommel abläuft. Anderenfalls kann die automatische Lastbremse nicht ordnungsgemäß funktionieren. **HINWEIS:** Wenn das Windenseil auf der Oberseite abläuft, wurde der Spulvorgang der Winde in die falsche Richtung aktiviert. Vergewissern Sie sich, dass die Richtung korrekt eingestellt ist.

ACHTUNG Das Seil immer über die Unterseite (Montageseite) der Trommel führen.



ZU BEACHTEN Damit die Windenbremse richtig funktioniert, muss das Windenseil in die angegebene Richtung auf die Trommel gespult werden. *Beachten Sie den Aufkleber zur Trommeldrehung an der Winde.

5. Kupplung einlegen, wenn Windenseil abgespult ist.

ACHTUNG Immer sicherstellen, dass der Riegel geschlossen ist.

ACHTUNG Immer nur die Hakenmitte belasten.



ACHTUNG Hakenspitze niemals belasten. Niemals einen verbogenen oder verdrehten Haken verwenden.

6. Das Hakenende des Seils an einem geeigneten Verankerungspunkt befestigen.

ACHTUNG Hindernisse, die einen sicheren Betrieb der Winde beeinträchtigen könnten, sind immer zu entfernen.

ACHTUNG Niemals das Windenseil übereinander aufspulen. Verwenden Sie eine Kette oder einen Riemen am Anker.



ACHTUNG Sicherstellen, dass der gewählte Anker der Last standhalten kann, und dass weder der Riemen noch die Kette verrutschen können.

7. Kehren Sie zu Ihrem Fahrzeug zurück.
8. Fahren Sie das Fahrzeug weg vom Verankerungspunkt, bis das Windenseil ganz wenig durchhängt.
9. Feststellbremse anziehen, einen Gang einlegen bzw. bei Automatikgetriebe die Parkstellung wählen und den Motor abstellen.

ACHTUNG Immer Abstand zum Windenseil und zur Last einhalten und andere Personen während des Windenbetriebs fernhalten.

10. Aus dem Fahrzeug aussteigen. **ACHTUNG!** Steigen Sie niemals aus dem Fahrzeug aus, während das Seil unter Belastung steht. Halten Sie ungefähr 2,44 m Abstand von der Winde und spulen Sie das Seil auf die Winde auf, bis es gespannt ist.

ACHTUNG Niemals während des Windenbetriebs, wenn jemand anders die Steuerung der Winde übernommen hat oder wenn das Windenseil belastet ist, Windenseil oder Haken berühren.

ANLEITUNG FÜR DEN ERSTBETRIEB

ACHTUNG Windenseil niemals durch die Hände gleiten lassen.

11. Handschuhe tragen und Windenseil mit einer Hand unter Spannung halten. Windenseil vorsichtig in Richtung der Trommelseite drücken, an der es befestigt ist, damit zwischen den einzelnen Wicklungen keine Abstände bleiben.
12. Aus Sicherheitsgründen sollten die folgenden Schritte immer von zwei Personen ausgeführt werden. Falls Sie beabsichtigen, das Windenseil ohne die Unterstützung einer weiteren Person unter Spannung zu setzen, müssen Sie unbedingt darauf achten, dass die Feststellbremse angezogen ist, ein Gang eingelegt oder das Getriebe in die Parkposition gestellt ist und der Fahrzeugmotor abgeschaltet ist, wann immer Sie zum Überprüfen des Windenseils aus dem Fahrzeug steigen.

ZU BEACHTEN Achten Sie darauf, dass jede Lage sauber aufgewickelt wird, um eine Beschädigung des Seils zu verhindern.

ACHTUNG Verwenden Sie nie die Fernsteuerung, wenn das Fahrzeug nicht in Sichtweite des Betreibers ist.

13. Der Fahrer muss die Winde betätigen.
14. Weisen Sie Ihren Helfer an, sich neben das Fahrzeug zu stellen und Abstand zum Seil zu halten. **HINWEIS:** Ihr Helfer sollte das Windenseil beobachten und Ihnen durch Signale mitteilen, dass es korrekt über die Seilführung aufgewickelt wird.
15. Fahrzeug starten und Gang herausnehmen. Dann Feststellbremse lösen und dabei mitmäßigem Druck auf die Bremse treten.
16. Strom der Seilwinde einschalten und mit dem Aufwinden beginnen.
17. Wickelvorgang nach ungefähr 2 m stoppen.
18. Nehmen Sie langsam den Fuß von der Bremse und ziehen Sie dann die Feststellbremse an. Dadurch wird sichergestellt, dass das Windenseil nicht unter Belastung steht.
19. Dann das Getriebe wieder in die Parkposition schalten oder einen Gang einlegen und den Fahrzeugmotor abschalten.
20. Aus dem Fahrzeug aussteigen und überprüfen, ob das Windenseil gleichmäßig auf die Windentrommel aufgewickelt und nicht in einer darunter liegenden Lage eingeklemmt wird. Wenn das Windenseil

sich zu verklemmen droht, wieder mit der Strom-Taste auf der Fernbedienung abspulen und den Vorgang wiederholen. Diesmal jedoch etwas fester auf die Bremse treten.

21. Wenn Sie sich davon überzeugt haben, dass das Windenseil korrekt auf die Windentrommel aufgewickelt wird, Schritte so lange wiederholen, bis sich das Fahrzeug nur noch weniger als 2 m vom Windenankerpunkt entfernt befindet. Wenn der Abstand weniger als 2 m beträgt, nehmen Sie langsam den Fuß von der Bremse und ziehen dann die Feststellbremse an. Dadurch wird sichergestellt, dass das Windenseil nicht unter Belastung steht. Das Getriebe dann wieder in die Parkposition schalten oder einen Gang einlegen und den Fahrzeugmotor abschalten.
22. Aus dem Fahrzeug aussteigen. Den Haken vom Ankerpunkt lösen.
23. Halten Sie den mitgelieferten Hakenurt fest und stellen Sie sicher, dass das Windenseil weiterhin unter Spannung steht. Wickeln Sie das Seil langsam durch mehrfaches kurzes Einschalten der Wickelfunktion an der Fernbedienung so weit auf, dass der Haken weniger als 1 m von der Seilführung entfernt ist.
24. Windenvorgang beenden und den Haken an einem geeigneten Haltepunkt am Fahrzeug befestigen.
25. Sobald der Haken an einer geeigneten Stelle am Fahrzeug befestigt ist, wickeln Sie das Windenseil durch mehrfaches kurzes Einschalten der Winde an der Fernbedienung weiter auf, bis das Seil fast gespannt ist.

ZU BEACHTEN Nicht den Haken in die Seilführung ziehen. Dadurch könnte die Seilführung beschädigt werden.

Abspannen

Für umfassende Grundlagen des Abspannens lesen Sie bitte die „Grundlegenden Richtlinien zur Windentechnik“, die Sie online unter <https://www.warn.com/manuals/index.jsp> finden.

SCHLUSSANALYSE UND WARTUNG

Prüfung	Vor dem ersten Betrieb	Nach jedem Einsatz	Alle 90 Tage
Nehmen Sie sich Zeit, um die Anleitung und/oder Bedienungsanleitung und/oder „Grundlegenden Richtlinien zur Windentechnik“ zu lesen, um sich mit der Winde und deren Bedienung vertraut zu machen.	X		
Prüfen Sie die Befestigungselemente und vergewissern Sie sich, dass sie fest und mit dem richtigen Drehmoment angezogen sind. Beschädigte Befestigungselemente ersetzen.	X		X
Vergewissern Sie sich, dass die Verkabelung aller Komponenten korrekt ist, und stellen Sie sicher, dass alle Anschlusspunkte fest sitzen.	X		X
Vergewissern Sie sich, dass keine freiliegenden/blanken Drähte oder Anschlüsse oder schadhafte Kabelisolierungen (Abrieb/Schnitte) vorhanden sind. Alle freiliegenden Stellen mit Schutzmanschetten abdecken. Schadhafte Stromkabel reparieren oder erneuern.	X		X
Windenseil, Haken und Schlingen prüfen. Ausgefranzte, geknickte oder beschädigte Windenseile müssen umgehend ausgetauscht werden. Beschädigte Komponenten sind vor der Inbetriebnahme auszuwechseln.	X	X	X
Halten Sie Winde, Seil und Schalter schmutzfrei. Entfernen Sie Schmutz und Rückstände mit einem sauberen Tuch.		X	
Wenn die Winde in Wasser getaucht wird: Windenseil ausziehen und etwa 10 Meter aufrollen. Zum Trocknen der Winde die Anweisungen unter „Spannen des Windenseils“ befolgen.	x	x	

Nehmen Sie sich die Zeit, um sich anhand der „Grundlegenden Richtlinien zur Windentechnik“ mit der Funktionsweise und der Bedienung Ihrer Winde vollständig vertraut zu machen. Verfügbar online unter:

<https://www.warn.com/manuals/index.jsp>

Für weitere Informationen oder bei Fragen wenden Sie sich bitte an:

WARN INDUSTRIES, INC.

12900 S.E. Capps Road, Clackamas

OR USA 97015-8903, 1-503-722-1200,

Kundendienst: +1-800-543-9276

Händlersuchdienst: 1-800-910-1122

Oder besuchen Sie www.warn.com.

Bruksanvisning för vinsch

Denna bruksanvisning ger viktig säkerhetsinformation och anvisningar på hur du använder din vinsch. Det är viktigt att läsa **ALLA** anvisningar och säkerhetsinformation **INNAN** du installerar och använder din vinsch.

När du läser dessa anvisningar kommer du att se **VARNINGAR, FÖRSIKTIGHET, MEDDELANDEN** och **ANMÄRKNINGAR**. Risk för allvarlig skada eller dödsfall om dessa anvisningar inte följs. **VARNINGAR** är säkerhetsmeddelanden som indikerar en potentiellt farlig situation som, om man inte undviker den, kan resultera i allvarlig skada eller dödsfall. **FÖRSIKTIGHET** är säkerhetsmeddelanden som indikerar en potentiellt farlig situation som, om man inte undviker den, kan resultera i lindrig eller måttlig skada. **FÖRSIKTIGHET** och **VARNINGAR** identifierar fara, indikerar hur man ska undvika faran och ger råd om möjliga konsekvenser om du inte undviker faran. **MEDELANDEN** är meddelanden för att undvika skada på egendom. **ANMÄRKNINGAR** är ytterligare information för att hjälpa dig att genomföra proceduren. **ARBETA PÅ ETT SÄKERT SÄTT!**

SPARA DENNA BRUKSANVISNING och annan produktlitteratur för framtida hänvisning och återgå till den regelbundet för fortsatt säker drift.

Beordra alla som ska använda produkten att de läser manualen innan de använder denna produkt.

Ytterligare produktlitteratur finns tillgänglig online:

- **Installera Guide (utökade språk)**
 - Innehåller instruktioner vinsch installation.
- **Grundläggande guide till vinschtekniker**
 - Ger dig en grundläggande förståelse för vinschen och lär dig grunderna i rätt vinschteknik. Den är en värdefull resurs för säker och effektiv användning av vinschen.
- **Produktspecifikation och prestandauppgifter**
 - Tillhandahåller specifikationer och prestandauppgifter om produkten och information om reservdelar.
- **Annan produktlitteratur specifik till några produkter**

Gå till <https://www.warn.com/manuals/index.jsp> för extra eller ersättande litteratur som finns tillgänglig för visning/nedladdning.



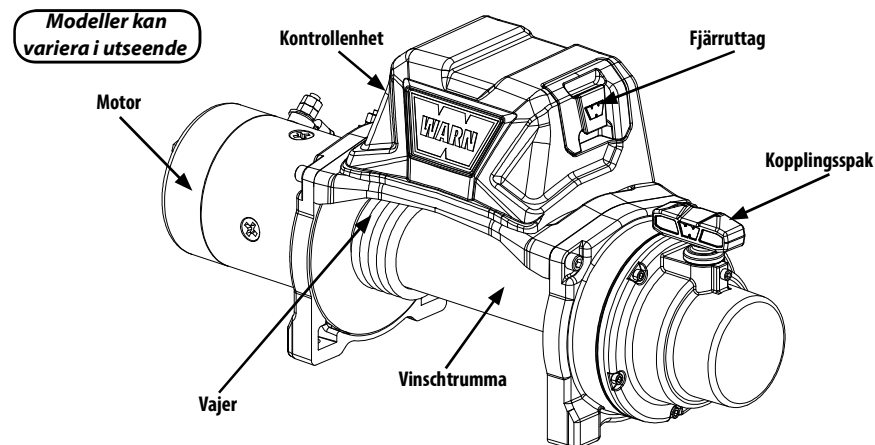
INNEHÅLLSFÖRTECKNING:

INSTRUKTIONER

Lär känna din vinsch.....	30
Driftinstruktioner inför uppstart.....	31-34
Slutlig analys och underhåll	35

LÄR KÄNNA DIN VINSCH

Innan du börjar måste du bekanta dig med din WARN® vinsch och alla dess delar:



Motor: Vinschmotorn drivs med fordonets batteri. Motorn förser kugghjulsmekanismen med kraft, som rullar vinschtrumman och lindar vinschrepet.

Vinschtrumma: Vinschtrumman är cylindern som vinschlinan matas upp på. Trumman drivs av elmotorn och kraftöverföringen. Dess riktning kan ändras med fjärrkontrollen.

Vinschlina: Vinschlinans diameter och längd bestäms av vinschens lastningskapacitet och utformning. Lindad runt vinsch-trumman och matad genom linrullen, är vinschlinan slingad i slutet för att acceptera krokens gaffelbult.

För syntetiska vajermodeller, se installationsanvisningen till din WARN® Synthetic Rope för detaljerade anvisningar om hur du installerar den syntetiska vajern.

Kopplingsspak*: Kopplingen tillåter operatören att manuellt koppla ifrån spoltrumman från kugghjulsoverföringen, så att trumman kan rotera fritt (känd som "frispolning"). Koppla in kopplingen "läser" vinschtrumman tillbaka till kugghjulsoverföringen.

Kontrollenhet: När du använder elkraft från fordonets batteri växlar kontrollenhetens kontakter kraft till motorn vilket tillåter att operatören ändrar vinschtrummans rotationsriktning.

För särskilda tillämpningar hittar du den valfria informationen om kontrollenhetens omplaceringssats hos din auktoriserade WARN®-försäljare eller på www.warn.com.

Fjärruttag*: Operatören stoppar in fjärruttaget i den trådbundna fjärrkontrollen eller valfri trådlös fjärrmottagare, i syfte att styra vinschen.

* Specific för vissa modeller.



INNAN DU BÖRJAR, ta dig tid att läsa igenom alla anvisningar och säkerhetsinformation innan du installerar och använder din vinsch.

Steg 1: Installera din vinsch

⚠ VARNING Använd alltid en monteringsplats som är tillräckligt stark att motså vinschens maximala dragkraft.

Se den produktspecifika installationsguiden för monterings- och kopplingsanvisningar.

Steg 2: Systemkontroll

Kontrollera systemet:

1. Kontrollera fästdon och försäkra dig om att de har dragits åt till rätt vridmoment.
2. Bekräfta att alla ledningar till alla komponenter är korrekta och se till så att alla anslutningar är täta.
3. Bekräfta att det inte finns några exponerade/oskyddade vajrar, terminaler eller skador på kabelisoleringar.
4. Läs noga igenom hela basguiden innan du använder din vinsch (<https://www.warn.com/manuals/index.jsp>)

När du har utfört en systemkontroll är du redo att fortsätta till "Driftinstruktioner inför uppstart".

Steg 3: Driftsanvisningar inför uppstart Anvisningar

I detta avsnitt visar vi driftinstruktionerna inför uppstarten för effektiv, grundläggande vinschning. För fullständig information om vinschens drift och tekniker, läs noga igenom basguiden som finns online på <https://www.warn.com/manuals/index.jsp>.

⚠ VARNING Använd aldrig en vinsch som en lyftkran eller för att hänga upp en last.



⚠ VARNING Använd aldrig vinschen till att lyfta eller flytta personer.



Fjärrkontroll:

⚠ VARNING Se alltid till så att du håller den trådbundna fjärrkontrollen och elsladden borta från trumman, vajern och riggen. Inspektera att det inte finns några sprickor, nötta vajrar eller lösa anslutningar. Skadade komponenter måste ersättas innan användning.

⚠ VARNING Lämna aldrig fjärrkontrollen där den kan aktiveras av misstag.

⚠ VARNING Lämna aldrig vinschens fjärrkontroll inkopplad under installation, frispolning, riggning, underhåll eller när vinschen inte används.

Fjärrkontrollen styr spolningstrummans rotation vid utvinschning (framåt) eller invinschning (bakåt).

Lämna inte fjärrkontrollen inkopplad i vinschen när den inte används. Genom att lämna fjärrkontrollen inkopplad kan det resultera i oavsiktlig aktivering och/eller att batteriet laddas ur.

Använda kopplingen:

⚠ VARNING Aktivera eller inaktivera aldrig kopplingen om vinschen är belastad, vinschlinan är spänd eller om trumman rör sig.

MEDELLENDE Se alltid till så att kopplingen är fullständigt aktiverad eller inaktiverad när du använder vinschen.

När kopplingen har aktiverats är kugghjulet kopplat till vinschtrumman och kraften kan överföras från vinschens motor.

När kopplingen är inaktiverad är trumman i frispolningsläge och kugghjulet och vinschens lintrumma är fränkopplade vilket gör så att trumman kan rotera fritt.

Kopplingsspaken (*specifik för vissa modeller*), är normalt placerad på vinschens hölje mitt emot motorn och kontrollerar kopplingens position. För att undvika skada ska kopplingsspaken alltid vara fullständigt aktiverad eller inaktiverad.

Utspolning

⚠ VARNING Använd aldrig vinschen med mindre än 5 varv vinschlina eller/10 varv syntetisk vajer runt trumman. Vajern kan lossna från trumman.

⚠ VARNING Håll alltid händerna borta från vinschlina, krokögla, ögla och linledaröppning under installation, användning samt vid in- och utspolning.



⚠ VARNING Ha alltid kraftiga läderhandskar på dig när du hanterar en vinschlina.

Frispolning är oftast det snabbaste och enklaste sättet att spola ut vinschlinan på. Innan du frispolar ut vinschlinan från vinschen, mata ut tillräckligt med vajer för att ta bort eventuell spänning som vinschlinan kan vara under. Koppla ur kopplingen. Då kan friläget manuellt spola ut tillräcklig vinschlina för vinschningen. Se basguiden för vinschningstekniker för mer information, den hittas online på: <https://www.warn.com/manuals/index.jsp>.

MEDELLENDE Vinscha INTE ut mer än 9 meter utan att låta vischen kylas ner i 20 minuter innan du matar in vajern igen. Placera i stället kopplingen i friläge och dra ut vajern för hand.

⚠ VARNING Använd alltid medföljande krokstropp när du spolar vinschlinan ut eller in.



Inspolning under belastning.

⚠ VARNING Överskrid aldrig vinschens eller vinschlinans kapacitet.

Drag in vinschlinan jämnt och tätt på trumman. Detta förhindrar att vinschens yttre lindningarna sjunker in i de inre lindningarna, fastnar och skadar vinschlinan.

Undvik chockbelastning vid spolning genom att pulsa kontrollens kontakt för att ta upp den slaka vinschlinan. Chockbelastning kan tillfälligt vida överskrida vinschens och vajerns kapacitet.

Inspolning utan belastning.

⚠ VARNING Rör aldrig vinschlinan eller kroken medan någon annan befinner sig vid strömbrytaren, när vinschlinan är belastad eller under vinschning.

Spolning med medhjälpare: Låt en medhjälpare hålla krokstroppen med så mycket konstant spänning på vinschlinan som möjligt. Med bibehållen spänning skall medhjälparen sedan gå mot vinschen medan du använder reglaget för att spola in vinschlinan. Frigör reglaget när kroken är minst 2 m från linledarens öppning.

Spola in resten för förvaring enligt anvisningarna nedan.

Spolning ensam: Arrangera vinschlinan som ska spolas på ett sådant sätt att den inte knäcks eller trasslar till sig under inspolningen. Se till så att vinschlinan på trumman är fördelad i täta och jämna lager. Spola in tillräckligt med vinschlina för att fullborda nästa fullständiga lager på trumman. Spänn och räta ut lagret. Upprepa processen tills kroken är minst 2 m från linledarens öppning.

Spola in resten för förvaring

När kroken är inom 2 m från linledaren, lossa kroken från förankringsstället eller lasten. Håll i medföljande krokstropp och håll spänningen på vinschlinan. Vinscha långsamt in vinschen genom att "pulsa" drag-in-kontakten på fjärrkontrollen tills kroken är inom 1 m från linledaren.

Sluta vinscha in och fäst kroken på ett lämpligt förankringsställe på fordonet.

MEDELLENDE Kör inte in kroken i linledaren. Detta kan skada linledaren.

När kroken är lämpligt fäst på fordonet kör du in återstående slack i vinschlinan genom att "pulsa" in resten med "drag in"-kontakten på fjärrkontrollen tills det är minimalt slack kvar i vinschlinan.

Överbelastning/överhettning

⚠ VARNING Var alltid medveten om att det finns varma ytor vid vinschmotorn, trumman eller vajern under tiden som vinschlinan används eller efter den har använts.

Denna vinsch är klassad för intermittent arbete. När motorn närmar sig en hastighet då den stannar sker en mycket snabb värmeuppbyggnad som kan skada motorn.

Riggning med dubbel vajer (se basguide för vinschtekniker) minskar strömstyrkan och minskar värmeutvecklingen i motorn. Detta medger längre kontinuerlig användning.

Ti Motor Temperaturindikator (För Ti-modeller)

Ti-modellvinschar är utrustade med motormonterad värmesensor som vidarebefodrar information om temperaturer till vinschens

operatör genom en LED-indikator på den handhållna fjärrkontrollen.

LED-dioden i fjärrkontrollen kommer att blinka innan vinschmotorn når en temperatur som kan skada. Stoppa vinschens drift så fort som det är säkert att göra det och låt motorn att kallna.

STRÄCKNING AV VINSCHLINAN.

⚠ VARNING Dra alltid ut vajern och spola upp den under belastning innan användning.

⚠ VARNING Inspektera alltid vinschlinan, kroken och remmarna innan användning. Fransad, knäckt eller skadad vinschlinan måste omedelbart ersättas. Skadade komponenter måste ersättas innan användning. Skydda alla delar från skada.

Sträckning (spänning) av vinschlinan är nödvändigt för att den ska hålla länge. Genom att spänna vinschlinan förhindrar du att yttre vinschlagar kommer i kläm och förstör de inre lagren.

När den används för första gången, måste en ny vinschlinan spolas upp på trumman under en belastning av minst 454 kg.

Följ nedanstående instruktioner för att sträcka vinschlinan på vinschtrumman på rätt sätt.

⚠ VARNING Ha alltid på dig kraftiga handskar när du hanterar vinschlinan.



1. Välj en PLAN OCH ICKE LUTANDE plats som är tillräckligt stor för att dra ut hela vinschlinan.

2. Inaktivera kopplingsspaken.

⚠ VARNING Håll alltid händerna borta från vinschlinan, kroköglan, öglan och linledaröppningen under installation, användning och vid in- och utspolning.

3. Ta tag i krokremmen och spola ut vinschlinan till de sista 5 varven på trumman (10 varv för syntetisk vajer).

4. Kontrollera att vinschlinan spolas från trummans undersida, annars fungerar inte den automatiska belastningsbromsen ordentligt. **OBSERVERA:** Om vinschlinan spolas av från ovansidan av trumman, har du valt "out" stället för "in". Säkerställ att du matar in.

⚠ VARNING Linda alltid in vinschlinan på botten (monteringsidan) av trumman.



MEDELANDE För att vinschbromsen ska fungera korrekt måste vinschlinan spolas upp på trumman i en särskild riktning. *Se trumrotationsetiketten på vinschen.

5. Aktivera kopplingen när vinschlinan har spolats ut.

⚠ VARNING Säkerställ alltid att krokens spärr är låst.

⚠ VARNING Belasta alltid bara krokens mittpunkt.



⚠ VARNING Belasta aldrig krokspetsen eller använd en krok som är böjd eller vriden.

6. Fäst vajerns krokände på ett lämpligt förankringsställe.

⚠ VARNING Ta alltid bort element som kan hindra att vinschen används på ett säkert sätt.

⚠ VARNING Linda aldrig tillbaka vinschlinan runt sig själv. Använd en kedja eller rem på förankringsstället.



⚠ VARNING Se alltid till så att förankringsstället du väljer klarar belastningen och att remmen eller kedjan inte glider.

7. Återvänd till ditt fordon.

8. Backa fordonet från förankringsstället tills vinschlinan inte är så slak.

9. Dra åt handbromsen, lägg i en växel eller fordonet i parkeringsläge och stäng av motorn.

⚠ VARNING Stå alltid en bit från vinschlinan och last och håll andra borta under vinschningen.

10. Kliv ur fordonet. **VARNING! Gå aldrig ur fordonet med last på vinschlinan.** Stå cirka 2.5 m från vinschen och mata in vinschen tills all nedbuktning är upplindad på vinschtrumman.

⚠ VARNING Rör aldrig vinschlinan eller kroken medan någon annan befinner sig vid strömbrytaren, när vinschlinan är belastad eller under vinschningen.

⚠ VARNING Låt aldrig vinschlinan glida genom dina händer.

11. Använd handskar, håll spänningen i vinschlinan med en hand; skjut försiktigt på vinschlinan till sidan av trumman där vinschlinan är fäst för att se att det inte finns några glapp mellan varje spole på trumman.

12. Följande steg ska utföras av två personer för ordentlig säkerhet. Om du försöker spänna vinschlinan ensam, så försäkra att du alltid drar åt handbromsen, lägger transmissionen i en växel eller i parkeringsläge och stänger av motorn varje gång du går ur fordonet för att inspektera vinschlinan. **MEDELANDE** Var noga med att varje lager är jämnt fördelat för att förhindra att vajern skadas.

⚠ VARNING Använd aldrig fjärrkontrollen när operatören inte har fri sikt över fordonet.

13. Fordonsföraren bör använda vinschen.

14. Instruera din medhjälpare att stå vid sidan av fordonet och hålla sig borta från vinschlinan. **OBSERVERA: Din medhjälpare bör signalera till dig om vinschlinan lindas ordentligt eller inte genom att titta på hur den förflyttar sig över ledrollen när vinschlinan matas in.**

15. Starta fordonet och placera transmissionen i neutralt läge. Frigör sedan handbromsen medan du trycker ner bromspedalen med måttlig kraft.

16. Mata in vinschlinan för att påbörja invinschningen.

17. Stoppa vinschning när du har vinschat in ca 2 m.

18. Lätta sakta på bromspedalen och dra åt handbromsen. Detta förfarande gör att det inte är någon belastning på vinschlinan.

19. Placera transmissionen i växel eller i parkeringsläge och stäng av motorn.

20. Gå ur fordonet och kontrollera att vinschen lindas jämnt på vinschtrumman och inte sjunker in i de undre lagren. Om vinschlinan sjunker in, matar du ut vinschlinan genom att trycka på "drag ut"-knappen på fjärrkontrollen och upprepar det här steget från början med högre tryck på bromspedalen.

21. När du är övertygad om att vinschlinan lindas upp på trumman ordentligt, upprepa stegen tills fordonet är inom 2 m från vinschens förankringsställe.

När du väl är inom 2 m släpper du sakta på bromspedalen och drar sedan åt handbromsen. Detta förfarande gör att det inte är någon belastning på vinschlinan. Lägg sedan in en växel eller parkeringsläget och stäng av motorn.

22. Gå ur fordonet. Ta bort kroken från förankringsstället.

23. Medan du håller i den medföljande krokremmen, håll spänningen i vinschlinan och mata sakta in vinschen genom att "pulsera" mata in-knappen på din fjärrkontroll tills kroken är inom 1 m från linledaren.

24. Sluta invinschningen och fäst kroken på en passende förankringsplats på fordonet.

25. När kroken har fästs på en passende plats på fordonet, mata in resten av den slaka vinschlinan genom att "pulsera" mata in-knappen på din fjärrkontroll tills det finns minimalt med slack kvar i vinschlinan.

MEDELANDE Kör inte in kroken i linledaren. Detta kan skada linledaren.

Rigging

För fullständiga riggningsgrunder, läs basguiden för vinchningstekniker, som finns online på: <https://www.warn.com/manuals/index.jsp>.

Kontrollera	Innan första användning	Efter varje användning	Var 90:e dag
Tag dig tid att läsa igenom anvisningarna och/eller bruksanvisningen och/eller basguiden för vinschteknik så att du förstår din vinsch och hur den fungerar	X		
Kontrollera fästdon och se till så att de är åtdragna till rätt vridmoment. Byt ut skadade fästdon.	X		X
Kontrollera att ledningarna till alla komponenter är korrekta och se till så att alla anslutningar sitter ordentligt.	X		X
Kontrollera att det inte finns några exponerade/oskyddade vajrar, poler eller skador på kabelisoleringar (nötskador/skär). Täck exponerade sladdar med kabelskor. Reparera eller byt ut skadade elektriska sladdar.	X		X
Inspektera vinschlina, krok och remmar. Fransig, trasslig eller skadad vinschlina måste omedelbart bytas ut. Skadade komponenter måste bytas ut innan vinschen används.	X	X	X
Håll vinsch, vajer och manöverkontakt rena. Använd en ren trasa eller handduk för att avlägsna smuts och skräp.		X	
Om vinschen sänks i vatten: Mata ut vinschlinan ut och mata sedan in den igen in i ca 9 m. Följ "sträck vinschlina"proceduren för att torka vinschen.	x	x	

Ta tid på dig att helt och fullt förstå hur vinschen och dess hantering fungerar genom att läsa igenom basguiden för vinschteknik som finns online på:

<https://www.warn.com/manuals/index.jsp>.

För ytterligare information eller frågor, kontakta:

WARN INDUSTRIES, INC.

12900 S.E. Capps Road, Clackamas

ELLER USA 97015-8903, 1-503-722-1200,

Kundtjänst: 1-800-543-9276

Information om återförsäljare: +1 800 910-1122

Eller besök www.warn.com.

Guida per l'operatore di verricelli

Questo manuale fornisce importanti istruzioni e informazioni di sicurezza sull'installazione e l'utilizzo del verricello. È importante leggere attentamente **TUTTE** le istruzioni e le informazioni sulla sicurezza **PRIMA** di installare e utilizzare il verricello.

Leggendo queste istruzioni si noteranno **AVVERTENZE**, **indicazioni di ATTENZIONE**, **AVVISI** e **NOTE**. La mancata osservanza delle presenti istruzioni può causare lesioni gravi o fatali. Le **AVVERTENZE** sono messaggi di sicurezza che indicano situazioni potenzialmente pericolose che, se non vengono evitate, possono causare lesioni gravi o fatali. Le indicazioni di **ATTENZIONE** sono messaggi di sicurezza che indicano situazioni potenzialmente pericolose che, se non vengono evitate, possono causare lesioni di leggera o moderata entità. Le indicazioni di **ATTENZIONE** e **AVVERTENZA** identificano il pericolo, indicano come evitarlo e informano sulle possibili conseguenze nel caso in cui questo non venga evitato. Gli **AVVISI** sono messaggi che indicano come evitare danni alle apparecchiature. Le **NOTE** contengono informazioni supplementari utili per completare le procedure. **PRESTARE SEMPRE LA MASSIMA ATTENZIONE ALLA SICUREZZA!**

CONSERVARE IL MANUALE e la documentazione integrativa per riferimento futuro ed esaminarli frequentemente per garantire un utilizzo sempre sicuro.

Chiedere a tutti gli utilizzatori di questo prodotto di esaminare il manuale prima di procedere al suo utilizzo.

Documentazione integrativa disponibile online:

- **Installare Guida (lingue estesi)**
 - Fornisce istruzioni per l'installazione del verricello.
- **Guida di base per le tecniche di sollevamento con verricello**
 - Contiene una serie di nozioni di base sul verricello e offre le informazioni essenziali sulle corrette tecniche di sollevamento. È una risorsa preziosa per imparare a utilizzare il verricello in modo efficiente e in tutta sicurezza.
- **Specifiche di prodotto e dati sulle prestazioni**
 - Contiene specifiche di prodotto, dati sulle prestazioni e informazioni sui pezzi di ricambio.
- **Documentazione integrativa specifica per alcuni prodotti**

All'indirizzo <https://www.warn.com/manuals/index.jsp> è possibile scaricare o consultare altra documentazione integrativa o sostitutiva.

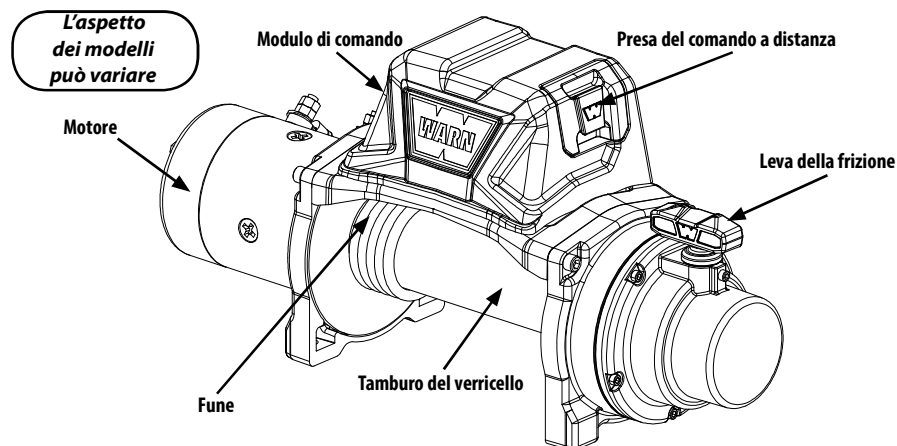


INDICE:

ISTRUZIONI

Familiarizzare con il verricello.....	37
Istruzioni per il primo utilizzo	38-41
Manutenzione e analisi finale	42

Prima di iniziare, è necessario familiarizzare con il verricello WARN® e ciascuno dei suoi componenti:



Motore: Il motore del verricello è alimentato dalla batteria del veicolo. Il motore fornisce l'alimentazione al meccanismo dell'ingranaggio, che gira il tamburo del verricello e avvolge la fune.

Tamburo del verricello: Il tamburo del verricello è il cilindro su cui viene avvolta la fune. Il tamburo è azionato dal motore e dall'apparato propulsore. La sua direzione può essere modificata mediante il comando a distanza wireless avanzato.

Fune del verricello: Il diametro della fune e la sua lunghezza sono determinati dalla capacità di carico del verricello e dalla sua progettazione. La fune metallica, avvolta intorno al tamburo del verricello e fatta passare attraverso la guida, forma un cappio all'estremità per l'inserimento del perno di chiusura del gancio.

Se si utilizzano funi sintetiche, leggere con attenzione la Guida all'installazione della fune sintetica WARN per istruzioni dettagliate sull'installazione della fune sintetica.

Leva della frizione*: La frizione consente all'operatore di disinnestare manualmente il tamburo di avvolgimento dall'ingranaggio, consentendo al tamburo di ruotare liberamente (detta anche "svolgimento libero"). L'innesto della frizione "blocca" nuovamente il tamburo del verricello all'ingranaggio.

Modulo di comando: Usando la potenza elettrica generata dalla batteria del veicolo, gli interruttori del modulo di comando forniscono l'alimentazione al motore, consentendo all'operatore di cambiare la direzione di rotazione del tamburo del verricello.

Per applicazioni specifiche, è possibile trovare i dettagli del kit di riposizionamento del modulo di comando presso il proprio rivenditore WARN o visitare www.warn.com.

Presenza del comando a distanza*: La presa del comando a distanza serve all'operatore per collegare il cavo del comando a distanza o un ricevitore opzionale del comando a distanza wireless per controllare il verricello.

* Specifico per alcuni modelli.



PRIMA DI INIZIARE, leggere attentamente tutte le istruzioni e le informazioni sulla sicurezza prima di installare e utilizzare il verricello.

Fase 1: Installare il verricello

AVVERTENZA Scegliere sempre una posizione di installazione sufficientemente resistente da sostenere la capacità massima di trazione del verricello.

Consultare la guida di installazione del proprio prodotto per istruzioni sul montaggio e il cablaggio.

Fase 2: Controllo del sistema

Eseguire il controllo del sistema:

1. Controllare i dispositivi di fissaggio e verificare che siano stretti al valore di coppia (serraggio) corretto.
2. Verificare che il cablaggio elettrico di tutti i componenti sia corretto e che tutte le connessioni siano ben serrate.
3. Verificare che non siano presenti cavi esposti, isolamenti o terminali danneggiati.
4. Leggere completamente la Guida di base per le tecniche di sollevamento con verricello prima di utilizzare il verricello (<https://www.warn.com/manuals/index.jsp>)

Dopo il controllo del sistema, è possibile procedere con le Istruzioni per l'uso al primo utilizzo.

Fase 3: Istruzioni per l'uso al primo utilizzo

In questa sezione, forniremo le istruzioni per il primo utilizzo del verricello per un funzionamento di base efficiente. Per il funzionamento completo del verricello e le relative tecniche, consultare la Guida di base per le tecniche di sollevamento con verricello, disponibile online all'indirizzo <https://www.warn.com/manuals/index.jsp>.

AVVERTENZA Non usare mai il verricello come paranco o per sospendere un carico.



AVVERTENZA Non usare mai per sollevare o trasportare persone.



Comando a distanza:

AVVERTENZA Tenere sempre il cavo del comando a distanza e il cavo di alimentazione lontani dal tamburo, dalla fune e dall'allestimento della fune. Verificare che non ci siano conduttori tagliati, pinzati o sfregiati o connessioni allentate. Sostituire i componenti danneggiati prima dell'uso.

AVVERTENZA Non lasciare mai il comando a distanza in una posizione in cui possa essere attivato accidentalmente.

AVVERTENZA Non lasciare mai il comando a distanza del verricello inserito durante l'installazione, lo svolgimento libero, l'allestimento della fune, la manutenzione o quando il verricello non è in uso.

Il comando a distanza permette il controllo della rotazione per svolgimento (in avanti) e avvolgimento (indietro) del tamburo di avvolgimento.

Non lasciare il comando a distanza inserito nel verricello quando questo non è in uso. Il comando a distanza inserito potrebbe dare origine ad attivazione accidentale e/o esaurimento della batteria.

Funzionamento della frizione:

AVVERTENZA Non innestare o disinnestare mai la frizione quando il verricello è sotto carico, la fune è in tensione o il tamburo è in movimento.

AVVISO Accertarsi sempre che la frizione sia completamente innestata o disinnestata durante l'uso del verricello.

Quando la frizione è innestata, l'ingranaggio è accoppiato con il tamburo del verricello ed è possibile trasferire potenza dal motore del verricello.

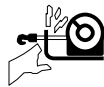
Quando la frizione è disinnestata si trova in posizione di avvolgimento libero; l'ingranaggio e il tamburo della fune metallica non sono accoppiati, e il tamburo può ruotare liberamente.

La manopola della frizione (specifica per determinati modelli), situata sull'alloggiamento del verricello di fronte al motore, consente di controllare la posizione della frizione. Per evitare danni, è sempre necessario innestare o disinnestare completamente la leva della frizione.

Svolgimento

AVVERTENZA Non azionare mai il verricello con meno di 5 giri di fune o 10 giri di fune sintetica sul tamburo. La fune potrebbe allentarsi dal tamburo.

AVVERTENZA Tenere sempre le mani lontano dalla fune, dall'anello di aggancio, dal gancio e dall'apertura della guida, durante l'installazione e l'utilizzo e in fase di svolgimento o avvolgimento della fune.



AVVERTENZA Quando si maneggia la fune, indossare sempre guanti di pelle robusti.

Lo svolgimento libero è in genere il modo più rapido e più facile per svolgere la fune del verricello. Prima di svolgere liberamente la fune dal verricello, svolgere a motore la fune quanto basta a eliminare eventuali tensioni presenti nella fune stessa. Disinnestare la frizione. A questo punto, svolgere liberamente a mano la fune necessaria per l'operazione di sollevamento con il verricello. Per ulteriori informazioni, consultare la Guida di base per le tecniche di sollevamento con verricello all'indirizzo: <https://www.warn.com/manuals/index.jsp>.

AVVISO Se si svolge una fune a motore per più di 9 metri (30 piedi), far raffreddare il verricello per 20 minuti prima di avvolgerla di nuovo. In alternativa, mettere la frizione in posizione di svolgimento libero e svolgere la fune a mano.

AVVERTENZA Durante lo svolgimento e l'avvolgimento utilizzare sempre la cinghia del gancio in dotazione.



Avvolgimento sotto carico

AVVERTENZA Non superare mai la capacità nominale del verricello o della corda.

Azionare la fune del verricello avvolgendola sul tamburo in modo uniforme e serrato. Ciò impedisce agli strati più esterni di fune avvolta di esercitare una tensione su quelli più interni, piegando e danneggiando la fune del verricello.

Evitare carichi a strappo durante lo svolgimento, accendendo e spegnendo a intermittenza l'interruttore di comando per eliminare eventuali allentamenti della fune del verricello. I carichi a strappo possono eccedere di molto i valori nominali del verricello e della fune metallica.

Avvolgimento senza carico

AVVERTENZA Non toccare mai la fune o il gancio mentre qualcun altro aziona l'interruttore di comando, se la corda del verricello è sotto carico o durante l'utilizzo del verricello.

Avvolgimento con un assistente: chiedere alla persona che assiste di tenere la cinghia del gancio applicando la tensione più uniforme possibile sulla fune del verricello. Mantenendo la tensione, la persona che assiste deve

avvicinarsi al verricello mentre l'operatore aziona l'interruttore di comando per avvolgere la fune. Rilasciare l'interruttore quando il gancio si trova a un minimo di 2 m (6 piedi) dall'apertura della guida.

Avvolgere il resto della fune per il rimessaggio come descritto di seguito.

Avvolgimento da soli: disporre la fune che deve essere avvolta in modo che essa non si attorcigli o aggrovigli durante l'avvolgimento. Accertarsi che la fune sul tamburo sia ben serrata e disposta a strati uniformi. Avvolgere una lunghezza di fune sufficiente a completare tutto lo strato successivo sul tamburo. Stringere e spianare lo strato. Ripetere il procedimento finché il gancio non si trova a un minimo di 2 m (6 piedi) dall'apertura della guida.

Avvolgimento del resto della fune per il rimessaggio

Quando il gancio è entro 2 m (6 piedi) dalla guida, scollegare il gancio dall'ancoraggio o dal carico. Tenere la cinghia del gancio in dotazione e mantenere la tensione sulla fune. Avvolgere lentamente accendendo e spegnendo a intermittenza il comando a distanza finché il gancio non sarà a 1 m (3 piedi) dalla guida.

Interrompere l'avvolgimento e fissare il gancio in un punto di ancoraggio adatto sul veicolo.

AVVISO Non avvolgere fino al punto in cui il gancio entra nella guida. In questo modo si rischia di danneggiare la guida.

Quando il gancio è agganciato in modo opportuno sul veicolo, avvolgere il tratto di fune rimanente azionando il comando a distanza a intermittenza finché non rimane un minimo di lasco sulla fune del verricello.

Sovraccarico/surriscaldamento

AVVERTENZA Essere sempre consapevoli della possibilità che ci siano superfici bollenti sul motore del verricello, sul tamburo o sulla fune, durante o dopo l'uso del verricello.

Questo verricello è classificato per servizio intermittente. Quando il motore si avvicina alla velocità di stallo, si verifica un accumulo di calore molto rapido che può danneggiare il motore.

L'allestimento a doppia linea (vedere la Guida di base per le tecniche di sollevamento con verricello) riduce l'assorbimento di

corrente e l'accumulo di calore nel motore. Ciò consente un uso continuativo prolungato.

Indicatore di temperatura del motore Ti (per i modelli Ti)

I verricelli della serie Ti sono dotati di sensore termico montato sul motore che trasmette le informazioni di temperatura all'operatore del verricello tramite spia LED sul comando a distanza portatile.

L'LED del comando a distanza lampeggia quando il motore raggiunge una temperatura che potrebbe provocare danni. Interrompere il funzionamento del verricello non appena vi siano le condizioni di sicurezza per farlo e lasciare raffreddare il motore.

STIRAMENTO DELLA FUNE DEL VERRICELLO

AVVERTENZA Stirare sempre la fune e riavvolgerla sotto carico prima dell'uso.

AVVERTENZA Ispezionare sempre la fune del verricello, il gancio e le imbragature prima di usare il verricello. Una fune sfrangiata, piegata o danneggiata deve essere sostituita immediatamente. Sostituire i componenti danneggiati prima dell'uso. Proteggere le parti da eventuali danneggiamenti.

Lo stiramento (messa in tensione) della fune è essenziale per la lunga durata del prodotto. La messa in tensione della fune evita che gli strati più esterni della fune del verricello schiaccino e deformino quelli più interni.

La prima volta che la fune viene usata, deve essere avvolta sul tamburo con un carico minimo di 454 kg.

Per tendere correttamente la fune sul tamburo del verricello, seguire le istruzioni.

AVVERTENZA Indossare sempre robusti guanti da lavoro quando si maneggia la fune del verricello.



1. Scegliere una zona **PIANEGGIANTE** che sia abbastanza grande da consentire lo svolgimento della fune per quasi tutta la sua lunghezza.

2. Disinnestare la frizione.

AVVERTENZA Tenere sempre le mani lontano dalla fune, dall'anello di aggancio, dal gancio e dall'apertura della guida durante l'installazione e l'utilizzo e in fase di svolgimento o avvolgimento della fune.

3. Afferrare la cinghia del gancio e svolgere la fune del verricello finché non rimangono 5

giri di fune sul tamburo (10 giri in caso di fune sintetica).

4. Verificare sempre che la fune si avvolga dalla base del tamburo, altrimenti il freno automatico di tenuta del carico non funzionerà correttamente. **NOTA: Se la fune si avvolge dall'alto del tamburo, è stata selezionata la funzione di svolgimento e non quella di avvolgimento. Verificare che la fune sia in avvolgimento.**

AVVERTENZA Avvolgere sempre la fune del verricello alla base (dal lato di fissaggio) del tamburo.



AVVISO Per garantire il funzionamento corretto del freno del verricello, la fune del verricello deve essere avvolta sul tamburo nella direzione specificata. *Vedere decalcomania di rotazione del tamburo presente sul verricello.

5. Dopo aver svolto la fune, innestare la frizione.

AVVERTENZA Accertarsi sempre che l'elemento di chiusura sia impegnato.

AVVERTENZA Applicare sempre il carico solo sulla parte centrale del gancio.



AVVERTENZA Non porre mai il carico sulla punta del gancio e non utilizzare un gancio piegato o torto.

6. Fissare l'estremità con gancio della fune a un punto di ancoraggio adatto.

AVVERTENZA Rimuovere sempre eventuali ostacoli che potrebbero interferire con l'uso del verricello in condizioni di sicurezza.

AVVERTENZA Non avvolgere mai la fune del verricello su se stessa. Utilizzare una catena di aggancio o una cinghia sull'ancoraggio.



AVVERTENZA Accertarsi sempre che il punto di ancoraggio scelto sia in grado di sopportare il carico e che la cinghia o la catena usate non scivolino.

7. Tornare al veicolo.

8. Spostare indietro il veicolo allontanandosi dal punto di ancoraggio finché la fune abbia pochissimo lasco.

9. Innestare il freno di stazionamento e mettere il cambio in marcia o in posizione di parcheggio e spegnere il motore.

AVVERTENZA Quando si usa il verricello, tenersi sempre distanti dalla fune e dal carico, e assicurarsi che anche gli altri stiano lontani.

10. Uscire dal veicolo. **AVVERTENZA! Non uscire mai dal veicolo con la fune del verricello sotto carico.**

ISTRUZIONI PER L'USO AL PRIMO UTILIZZO

Tenendosi a circa 2,44 m (8 piedi) di distanza dal verricello, azionare il verricello finché il lasco della fune non si sia avvolto sul tamburo.

AVVERTENZA Non toccare mai la fune o il gancio mentre qualcun altro aziona l'interruttore di comando, se la corda del verricello è sotto carico o durante l'utilizzo del verricello.

AVVERTENZA Non fare mai scivolare la fune tra le mani.

11. Indossando i guanti, tenere in tensione la fune con una mano e, facendo attenzione, spostare la fune sul lato del tamburo a cui è collegata in modo che non ci siano spazi tra i giri di fune sul tamburo.

12. Per ragioni di sicurezza, i passaggi seguenti dovrebbero essere eseguiti da due persone. Se si cerca di mettere in tensione la fune da soli, verificare sempre che sia stato innestato il freno di stazionamento, che il cambio sia in marcia o in posizione di parcheggio e che il motore sia spento ogni volta che si esce dal veicolo per ispezionare la fune. **AVVISO** Per evitare danni alla fune metallica verificare che ciascuno strato si avvolga in modo uniforme.

AVVERTENZA Non utilizzare mai il comando a distanza quando il veicolo non si trova nella visuale dell'operatore.

13. Il verricello deve essere azionato dal conducente del veicolo.

14. Chiedere al proprio assistente di tenersi a lato del veicolo e lontano dalla fune del verricello. **NOTA: L'assistente dovrebbe segnalare all'operatore se la fune del verricello si sta avvolgendo correttamente o meno controllandola, mentre passa attraverso la guida, mano a mano che viene avvolta.**

15. Avviare il veicolo e posizionare il cambio in folle. Quindi, disinnestare il freno di stazionamento e premere leggermente il pedale del freno.

16. Azionare la fune del verricello avviando l'operazione di avvolgimento.

17. Fermarsi dopo aver avvolto circa 2 m (6 piedi) di fune.

18. Rilasciare lentamente la pressione sul pedale del freno e innestare il freno di stazionamento. In questo modo, la fune del verricello non sarà sotto carico.

19. Mettere il cambio in posizione di parcheggio o in marcia e spegnere il motore.

20. Uscire dal veicolo e ispezionare il verricello per verificare che la fune si avvolga sul tamburo in modo uniforme e che non si trovi nello strato inferiore. Se la fune si trova nello strato inferiore, svolgere premendo il pulsante di svolgimento sul comando a distanza e ripetere le operazioni precedenti dall'inizio applicando una maggiore pressione sul pedale del freno.

21. Quando si è sicuri che la fune si sta avvolgendo correttamente sul tamburo, ripetere la procedura sino a quando il veicolo non sarà almeno a 2 m (6 piedi) dal punto di ancoraggio del verricello. Quando si arriva a una distanza di 2 m (6 piedi), rilasciare lentamente la pressione sul pedale del freno e innestare il freno di stazionamento. In questo modo, la fune del verricello non sarà sotto carico. Quindi, mettere il cambio in posizione di parcheggio o in marcia e spegnere il motore.

22. Uscire dal veicolo. Staccare il gancio dal punto di ancoraggio.

23. Tenendo in mano la cinghia del gancio, mantenere la tensione sulla fune del verricello e avvolgere lentamente azionando a intermittenza il pulsante di avvolgimento sul comando a distanza, finché il gancio non sarà a 1 m (3 piedi) dalla guida.

24. Interrompere l'avvolgimento e fissare il gancio in un punto di ancoraggio adatto sul veicolo.

25. Quando il gancio è opportunamente fissato sul veicolo, avvolgere il tratto di fune rimanente azionando a intermittenza il pulsante di avvolgimento sul comando a distanza finché non rimane un minimo di lasco sulla fune del verricello.

AVVISO Non avvolgere fino al punto in cui il gancio entra nella guida. In questo modo si rischia di danneggiare la guida.

Allestimento della fune

Per le informazioni di base complete sull'allestimento della fune, consultare la Guida di base per le tecniche di sollevamento con verricello, disponibile online all'indirizzo <https://www.warn.com/manuals/index.jsp>.

MANUTENZIONE E ANALISI FINALE

Controllo	Prima del primo utilizzo	Dopo ogni uso	Ogni 90 giorni
Per comprendere il verricello e il suo funzionamento, dedicare il tempo necessario alla lettura del Manuale operativo e/o delle Istruzioni e/o della Guida di base per le tecniche di sollevamento con verricello.	X		
Controllare i dispositivi di fissaggio e verificare che siano stretti al valore di coppia corretto. Sostituire i dispositivi di fissaggio danneggiati.	X		X
Verificare i conduttori di tutti i componenti e accertarsi che tutte le connessioni siano serrate.	X		X
Verificare che non siano presenti cavi esposti, isolamenti di cavi o terminali danneggiati (sfregamento/usura). Coprire le parti esposte con protezioni da terminali. Riparare o sostituire i cavi elettrici danneggiati.	X		X
La fune del verricello, il gancio e le imbragature. Una fune sfrangiata, piegata o danneggiata deve essere sostituita immediatamente. Sostituire i componenti danneggiati prima dell'uso.	X	X	X
Mantenere il verricello, la fune e il comando dell'interruttore privi di contaminanti. Usare uno straccio o un asciugamano pulito per rimuovere qualsiasi traccia di sporco e detriti.		X	
Se il verricello viene immerso in acqua: Svolgere e avvolgere la fune del verricello per circa 9 m (30 piedi). Per asciugare il verricello seguire la procedura "Stiramento della fune del verricello".	X	X	

Dedicare il tempo necessario per conoscere a fondo il verricello e il suo funzionamento studiando la Guida di base alle tecniche di sollevamento con verricello, disponibile online all'indirizzo:

<https://www.warn.com/manuals/index.jsp>.

Per ulteriori informazioni o per eventuali domande contattare:

WARN INDUSTRIES, INC.

12900 S.E. Capps Road, Clackamas

OR USA 97015-8903, 1-503-722-1200,

Servizio assistenza clienti: 1-800-543-9276

Servizio di ricerca rivenditori locali: 1-800-910-1122

O visitare www.warn.com.

Manual do operador do guincho

Este material fornece importantes informações e instruções de segurança sobre como operar o guincho. É importante ler **TODAS** as instruções e informações de segurança **ANTES** de instalar e operar o seu guincho.

Durante a leitura destas instruções, irá visualizar **ADVERTÊNCIAS, CUIDADOS, AVISOS e OBSERVAÇÕES**. O não cumprimento destas instruções pode causar ferimentos graves ou morte. **ADVERTÊNCIAS** são mensagens de segurança que indicam uma situação possivelmente perigosa que, se não for evitada, pode causar ferimentos graves ou morte. **CUIDADOS** são mensagens de segurança que indicam uma situação possivelmente perigosa que, se não for evitada, pode causar ferimentos leves ou moderados. **CUIDADOS e ADVERTÊNCIAS** identificam o tipo de risco, como evitar esse risco e informam sobre as possíveis consequências se o risco não for evitado. **AVISOS** são mensagens para evitar danos patrimoniais. **OBSERVAÇÕES** são informações adicionais para ajudar a concluir um procedimento. **TRABALHE DE MANEIRA SEGURA!**

GUARDE ESTE MANUAL e outros materiais de consulta do produto para referência futura e analise-os frequentemente

para continuar a operação segura.

Orientar todos os usuários deste produto a analisar este manual antes de operá-lo.

Materiais de consulta do produto adicionais disponíveis online:

- **Guia de Instalação (idiomas expandidos)**
 - Fornece instruções de instalação do guincho.
- **Manual básico sobre técnicas de uso de guinchos**
 - Proporciona uma compreensão básica do guincho e ensina os conceitos básicos das técnicas adequadas do seu uso. É uma ferramenta valiosa para ajudar a usar o guincho de maneira segura e eficiente.
- **Especificações e dados de desempenho do produto**
 - Fornece especificações, dados de desempenho e peças de reposição do produto.
- **Outros materiais de consulta específicos referentes a alguns produtos**

Visite <https://www.warn.com/manuals/index.jsp> para visualizar/descarregar materiais de consulta adicionais ou de substituição disponíveis sobre o produto.



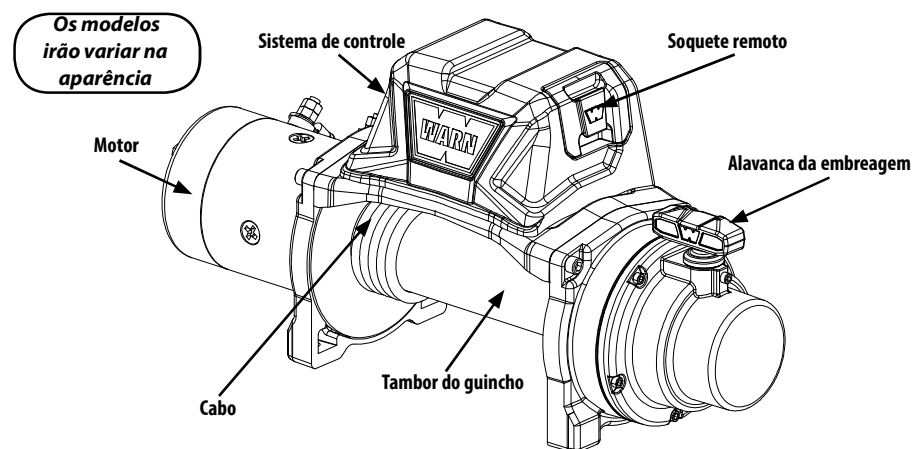
SUMÁRIO:

INSTRUÇÕES

Conheça o guincho que está a usar	44
Instruções para a primeira operação.....	45-48
Análise final e manutenção	49

CONHEÇA O GUINCHO QUE ESTÁ USANDO

Para começar, familiarize-se com o guincho WARN® e com cada um dos seus componentes:



Motor: O motor do guincho é acionado pela bateria do veículo. O motor fornece energia para o mecanismo da engrenagem que gira o tambor do guincho e enrola o cabo do guincho.

Tambor do guincho: O tambor do guincho é o cilindro no qual os cabos de aço são colocados. O tambor é acionado pelo motor e pelo sistema de direção. Sua direção pode ser alterada usando o Controle Remoto Sem Fios Avançado.

Cabo do guincho: O diâmetro e o comprimento do cabo de aço são determinados pelo design e pela capacidade de carga do guincho. Enrolado em volta do tambor do guincho e alimentado através do cabo-guia, o cabo é enrolado na extremidade para aceitar o pino da forquilha do gancho.

Para os modelos com cabo sintético, consulte seu Manual de Instruções de Instalação do Cabo Sintético WARN® para obter instruções detalhas sobre a instalação do cabo sintético.

Alavanca da embreagem*: A embreagem permite ao operador desengatar manualmente o tambor de enrolamento do trem de engrenagens, fazendo com que o tambor gire livremente (conhecido como “livre movimentação”). Engatar a embreagem “trava” o tambor do guincho novamente no trem de engrenagens.

Sistema de controle: Usando a energia elétrica da bateria do veículo, as chaves do contactor do sistema de controle aciona o motor, permitindo ao operador mudar a direção da rotação do tambor do guincho.

Para aplicações específicas, os detalhes opcionais do Kit de Relocação do Sistema de Controle pode ser obtido com seu Revendedor WARN® Autorizado, ou em www.warn.com.

Soquete remoto*: O soquete remoto é onde o operador liga o controle remoto com fio ou o receptor do controle remoto sem fio (opcional), para controlar o guincho.

* Específico para determinados modelos.



ANTES DE COMEÇAR, reserve um momento para ler completamente todas as instruções e informações de segurança antes de instalar e operar o seu guincho.

Etapa 1: Instalar o guincho

ADVERTÊNCIA Sempre escolha um local de montagem suficientemente resistente para suportar a capacidade máxima de tração do guincho.

Consulte o guia de instalação específico do seu produto para obter instruções de montagem e fiação.

Etapa 2: Verificação do sistema

Faça a verificação do sistema:

1. Verifique os fixadores para que estejam firmes e com o aperto correto.
2. Verifique se toda a fiação elétrica de todos os componentes está correta e se as conexões estão firmes.
3. Verifique se há fios expostos/descascados, terminais ou isolamento de cabos danificados.
4. Leia todo o Manual básico sobre técnicas de uso de guinchos antes de operar o guincho (<https://www.warn.com/manuals/index.jsp>)

Depois de fazer uma verificação do sistema, você estará pronto para realizar as “Instruções para a primeira operação”.

Etapa 3: Instruções para a primeira operação

Nesta seção, mostraremos a você as instruções para a primeira operação de uso básico eficiente do guincho. Para obter informações completas sobre operação e técnicas de uso do guincho, leia o Manual básico sobre técnicas de uso de guinchos, encontrado online em <https://www.warn.com/manuals/index.jsp>.

ADVERTÊNCIA Nunca use o guincho como uma grua ou para suspender uma carga.



ADVERTÊNCIA Nunca use o guincho para elevar ou transportar pessoas.



Controle remoto:

ADVERTÊNCIA Sempre mantenha o cabo do controle remoto conectado e o cabo de alimentação afastado do tambor, do cabo e da amarração. Verifique se há rachaduras, perfurações, fios corroídos ou conexões soltas. Os componentes danificados devem ser substituídos antes da operação.

ADVERTÊNCIA Nunca deixe o controle remoto onde possa ser ativado involuntariamente.

ADVERTÊNCIA Nunca deixe o controle remoto do guincho conectado durante a instalação, movimentação livre, ajustagem, manutenção ou quando o guincho não estiver em uso.

O controle remoto proporciona controle da rotação power-out (avanço) e power-in (reversão) do tambor de enrolamento.

Não deixe o controle remoto conectado ao guincho quando não estiver em uso. Se o controle remoto permanecer conectado, poderá causar uma ativação acidental e/ou o descarregamento da bateria.

Operação da embreagem:

ADVERTÊNCIA Nunca engate ou desengate a embreagem se o guincho estiver sob carga, o cabo de aço estiver tensionado ou o tambor do cabo de aço estiver em movimento.

AVISO Sempre garanta que a embreagem esteja totalmente engatada ou desengatada ao operar o guincho.

Quando a embreagem estiver engatada, o trem de engrenagens é acoplado ao tambor do guincho e a energia pode ser transferida do motor do guincho.

Quando a embreagem é desengatada o tambor fica na posição de movimentação livre e o trem de engrenagens e o tambor do cabo de aço são desacoplados permitindo que o tambor gire livremente.

A alavanca da embreagem (específica para determinados modelos) normalmente está localizada no alojamento do guincho, no lado oposto do motor, e controla a posição da embreagem. Para evitar danos, sempre engate ou desengate totalmente a alavanca da embreagem.

Desenrolamento

ADVERTÊNCIA Nunca opere o guincho com menos de 5 voltas do cabo do fio, ou 10 voltas se for cabo sintético, ao redor do tambor. O cabo pode se soltar.

ADVERTÊNCIA Sempre mantenha as mãos longe do cabo do guincho, da alça do gancho, do gancho e da abertura do cabo guia durante a instalação, a operação e o enrolamento/desenrolamento do cabo.



ADVERTÊNCIA Sempre use luvas grossas de couro ao manusear o cabo do guincho.

Movimentação livre é geralmente a maneira mais rápida e fácil de se desenrolar cabos de aço. Antes de desenrolar os cabos do guincho com a movimentação livre, recolha a quantidade de cabo suficiente para remover toda tensão exercida no cabo. Desengate a embreagem. Em seguida, execute a movimentação livre desenrolando manualmente suficiente cabo do guincho para a operação do guincho. Consulte O Guia Básico de Técnicas de Operação de Guincho para mais informações, encontrado online em: <https://www.warn.com/manuals/index.jsp>.

AVISO NÃO desenrole com o motor com mais de 30 pés de cabo sem deixar o guincho esfriar por 20 minutos antes de enrolar o cabo novamente. Em vez disso, coloque a embreagem em livre movimentação e puxe o cabo para fora manualmente.

ADVERTÊNCIA Sempre use a correia do gancho fornecida ao enrolar ou desenrolar o cabo do guincho.



Enrolamento sob carga

ADVERTÊNCIA Nunca exceda a capacidade nominal do guincho ou do cabo de aço.

Enrole o cabo do guincho de maneira uniforme e firme no tambor. Isso impede que as voltas externas do cabo do guincho se prendam nas voltas internas, emperrando e danificando o cabo de aço.

Evite cargas repentinas ao enrolar, pulsando o botão de controle para remover a folga do cabo de aço. As cargas repentinas podem exceder momentaneamente as capacidades do guincho e do cabo de aço.

Enrolamento em condição sem carga

ADVERTÊNCIA Nunca toque no cabo do guincho ou no gancho quando outra pessoa estiver utilizando o painel de comandos, quando o cabo do guincho estiver com carga ou durante a operação do guincho.

Enrolamento com um assistente: peça ao assistente que segure a correia do gancho aplicando o máximo possível de tensão constante no cabo do guincho. Mantendo

a tensão, o assistente deve caminhar em direção ao guincho enquanto você opera o enrolamento do botão de controle no cabo. Libere o botão quando o gancho estiver a no mínimo 2 m (6 pés) da abertura do cabo guia.

Enrole o restante para armazenamento conforme orientado abaixo.

Enrolamento independente: posicione o cabo de forma que ele não fique dobrado ou emaranhado quando for enrolado. Verifique se todo o cabo do guincho no tambor está distribuído em camadas de maneira uniforme e firme. Enrole uma quantidade de cabo do guincho suficiente para preencher a próxima camada completa no tambor. Aperte e alinhe a camada. Repita o processo até que o gancho esteja a no mínimo 2 m (6 pés) da abertura do cabo guia.

Enrolamento do restante para armazenamento

Quando o gancho estiver a 2 m (6 pés) do cabo guia, desconecte o gancho da fixação ou da carga. Segure a correia do gancho fornecido e mantenha a tensão no cabo do guincho. Lentamente, acione o guincho “pulsando” o botão de acionamento no controle remoto até que o gancho esteja a 1 m (3 pés) do cabo guia.

Pare a operação do guincho e acople o gancho a um ponto de fixação adequado no veículo.

AVISO Não deixe o gancho entrar no cabo guia. Isso pode causar danos ao cabo guia.

Depois que o gancho estiver acoplado corretamente ao veículo, acione a folga remanescente no cabo do guincho “pulsando” o botão de acionamento no controle remoto até que haja uma folga mínima no cabo do guincho.

Sobrecarga/superaquecimento

ADVERTÊNCIA Sempre esteja atento a possíveis superfícies quentes no motor, tambor ou cabo do guincho durante ou após o uso do guincho.

Este guincho foi classificado para trabalho intermitente. Quando o motor se aproxima da rotação de parada o calor aumenta bruscamente, o que pode causar danos ao motor.

A armação com linha dupla (consulte O Guia Básico de Técnicas de Operação de Guincho) reduz o nível de amperagem e o acúmulo de calor no motor. Isso permite um uso contínuo mais prolongado.

Indicador de temperatura do motor Ti (para modelos Ti)

Os guinchos do modelo Ti são equipados com um sensor térmico montado no motor que transmite informações sobre temperatura para o operador do guincho por meio de um indicador luminoso LED no controle remoto portátil.

O LED no controle remoto irá piscar antes de o motor do guincho atingir uma temperatura que possa resultar em danos. Pare a operação do guincho assim que seja seguro fazê-lo e deixe o motor esfriar.

PARA ESTICAR O CABO DO GUINCHO

ADVERTÊNCIA Sempre estique o cabo de aço previamente e enrole novamente sob carga antes do uso.

ADVERTÊNCIA Sempre inspecione o cabo do guincho, o gancho e as lingas antes de operar o guincho. Se o cabo do guincho estiver corroído, torcido ou danificado, ele deve ser substituído imediatamente. Os componentes danificados devem ser substituídos antes da operação. Proteja as peças contra danos.

O alongamento (tensionamento) do cabo do guincho é importante para garantir uma vida longa do produto. O tensionamento do cabo do guincho impedirá que as camadas externas do cabo do guincho sejam comprimidas e deformem as camadas internas.

Durante o primeiro uso, um novo cabo do guincho deve ser enrolado no seu tambor sob uma carga de pelo menos 454 kg (1000 lbs.).

Siga as instruções abaixo para esticar corretamente o cabo no tambor do guincho.

ADVERTÊNCIA Sempre use luvas grossas ao manusear o cabo do guincho.



1. Escolha um local **PLANO E NIVELADO** que seja grande o bastante para passar toda a extensão do cabo do guincho.

2. Desengate a embreagem.

ADVERTÊNCIA Sempre mantenha as mãos longe do cabo do guincho, da alça do gancho, do gancho e da abertura do cabo guia durante a instalação, a operação e o enrolamento/desenrolamento do cabo.

3. Segure a correia do guincho e enrole o cabo do guincho até as últimas 5 voltas do tambor (10 voltas se for cabo sintético).

4. Verifique se o cabo está desenrolado na parte inferior do tambor, não na parte superior, ou o freio automático de retenção de carga não funcionará corretamente.

NOTA: Se o cabo do guincho estiver desenrolando na parte superior, você colocou o guincho na posição “desativada” em vez de “ativada”. Certifique-se que esteja ligado.

ADVERTÊNCIA Enrole sempre o cabo na parte inferior (lado de montagem) do tambor.



AVISO Para um funcionamento adequado do freio do guincho, o cabo do guincho deve enrolado no tambor na direção especificada. *Consulte a etiqueta de rotação do tambor localizada no guincho.

5. Uma vez que o cabo do guincho estiver enrolado, engate a embreagem.

ADVERTÊNCIA Sempre verifique se o engate do gancho está fechado.

ADVERTÊNCIA Sempre aplique carga somente no centro do gancho.



ADVERTÊNCIA Nunca aplique carga na ponta do gancho ou use um gancho que esteja torcido ou torto.

6. Conecte a extremidade do gancho no cabo para uma ponto de fixação adequado.

ADVERTÊNCIA Sempre remova todos os elementos ou obstáculos que possam interferir na operação segura do guincho.

ADVERTÊNCIA Nunca prenda o cabo do guincho nele mesmo. Use uma corrente ou correia na fixação.



ADVERTÊNCIA Sempre tenha certeza de que a fixação que você selecionou irá suportar a carga e que a correia ou a corrente não deslizará.

7. Retorne ao veículo.

8. Afaste o veículo para longe do ponto de fixação até que haja uma pequena frouxidão no cabo do guincho.

9. Acione o freio de estacionamento, coloque o veículo em ponto morto ou estacionamento e desligue-o.

ADVERTÊNCIA Sempre mantenha-se afastado do cabo do guincho e da carga, e mantenha as pessoas afastadas durante a operação do guincho.

10. Saia do veículo. **ADVERTÊNCIA!** Nunca saia do veículo com carga no cabo do guincho. Parado a aproximadamente 2,44 m (8 pés) do guincho, acione o guincho até que toda a folga seja enrolada no tambor do guincho.

ADVERTÊNCIA Nunca toque no cabo do guincho ou no gancho quando outra pessoa estiver utilizando o painel de comandos, quando o cabo do guincho estiver com carga ou durante a operação do guincho.

ADVERTÊNCIA Nunca deixe o cabo do guincho deslizar por suas mãos.

11. Usando luvas mantenha a tensão no cabo do guincho com uma mão; pressione cuidadosamente o cabo do guincho na lateral do tambor. O cabo do guincho é acoplado para que não haja folgas entre cada volta no tambor.

12. Para uma segurança adequada, as etapas a seguir devem ser executadas por duas pessoas. Se você tentar aplicar tensão no cabo do guincho sozinho, sempre acione o freio de estacionamento, coloque a transmissão em ponto morto e desligue o veículo toda vez que sair para inspecionar o cabo do guincho. **AVISO** Tome cuidado para enrolar uniformemente cada camada com o intuito de evitar danos ao cabo.

ADVERTÊNCIA Nunca use o controle remoto quando o veículo não estiver na linha de visão do operador.

13. O condutor do veículo deve operar o guincho.

14. Oriente seu assistente para ficar ao lado do veículo e afastado do cabo do guincho. **NOTA:** Seu assistente deve avisar se o cabo está enrolando corretamente, observando para isso o movimento pelo cabo guia conforme o cabo é enrolado.

15. Dê partida no veículo e coloque a transmissão em neutro. Libere o freio de estacionamento enquanto aplica pressão moderada no pedal do freio.

16. Enrole o cabo do guincho para iniciar a ação do guincho.

17. Depois de operar o guincho por aproximadamente 2 m (6 pés), interrompa a operação.

18. Lentamente, solte o pedal do freio e, em seguida, pressione o freio de estacionamento. Isso garante que não haja nenhuma carga no cabo do guincho.

19. Coloque a transmissão em estacionamento ou engatada e desligue o veículo.

20. Saia do veículo e inspecione o guincho para ter certeza de que o cabo do guincho está sendo enrolado uniformemente no tambor do guincho e não está se encaixando na camada mais baixa. Se o cabo do guincho estiver caindo, desenrole-o e repita esta etapa desde o início com mais pressão no pedal do freio.

21. Quando você estiver convencido de que o cabo de aço está em rolando corretamente no tambor do guincho, repita as etapas anteriores até o veículo estar a 2 m (6 pés) da fixação do guincho. Quando estiver a 2 m (6 pés), lentamente solte o pedal do freio e, em seguida, acione o freio de estacionamento. Isso garante que não haja nenhuma carga no cabo do guincho. Depois, coloque a transmissão em estacionamento ou engatada e desligue o veículo.

22. Saia do veículo. Desconecte o gancho da fixação.

23. Enquanto segura a correia do gancho fornecida, mantenha a tensão no cabo do guincho e lentamente acione o guincho, “pulsando” o botão de acionamento no controle remoto até que o gancho esteja a 1 m (3 pés) do cabo guia.

24. Pare a operação do guincho e acople o gancho a um ponto de armazenamento adequado no veículo.

25. Depois que o gancho estiver acoplado corretamente ao veículo, acione a folga remanescente no cabo do guincho “pulsando” o botão de acionamento no controle remoto até que haja uma folga mínima no cabo do guincho.

AVISO Não deixe o gancho entrar no cabo guia. Isso pode causar danos ao cabo guia.

Armação

Para obter informações completas sobre os fundamentos de armação, leia o Manual básico sobre técnicas de uso de guinchos, encontrado online em <https://www.warn.com/manuals/index.jsp>.

MANUTENÇÃO E ANÁLISE FINAL

Verificar	Antes da primeira operação	Após cada uso	A cada 90 dias
Leia com cuidado o Guia de Instruções e/ou Guia do Operador, e/ou o Guia Básico de Técnicas de Operação de Guincho, para entender o guincho e suas operações.	X		
Verifique os fixadores para que estejam firmes e com o aperto correto. Substitua os fixadores danificados.	X		X
Verifique se a fiação de todos os componentes está correta e se as conexões estão firmes.	X		X
Verifique se há fios expostos/descascados, terminais ou isolamento de cabos danificados (por atrito/cortes). Cubra as áreas expostas com capas de terminais. Conserte ou substitua cabos elétricos danificados.	X		X
Inspecione o cabo do guincho, o gancho e as lingas. Se o cabo do guincho estiver corroido, torcido ou danificado, ele deve ser substituído imediatamente. Os componentes danificados devem ser substituídos antes da operação.	X	X	X
Mantenha o guincho, o cabo e o controle do interruptor livre de contaminantes. Use um pano limpo ou toalha para remover toda sujeira e detritos.		X	
Caso o guincho esteja submerso na água: Desenrole e enrole de volta o cabo do gincho em cerca de 30 pés. Siga o procedimento de "Alongamento do cabo do guincho", a fim de secar o guincho.	x	x	

Dedique um tempo para se familiarizar totalmente com o guincho e suas operações, revisando o Guia Básico de Técnicas de Operação de Guincho, encontrado online em:

<https://www.warn.com/manuals/index.jsp>.

Para obter mais informações, ou se tiver alguma pergunta, entre em contato com:

WARN INDUSTRIES, INC.

12900 S.E. Capps Road, Clackamas

OR USA 97015-8903, 1-503-722-1200,

Atendimento ao cliente: 1-800-543-9276

Serviço de Localização de Distribuidores Autorizados: 1-800-910-1122

Ou visite www.warn.com.

Vinssin käyttöohje

Nämä ohjeet sisältävät tärkeitä turvallisuustietoja ja käyttötapaohjeita. Lue huolellisesti läpi **KAIKKI** ohjeet ja turvallisuuteen liittyvät tiedot **ENNEN** vinssin asennusta ja käyttöä.

Lukiessasi näitä ohjeita näet **VAROITUKSIA**, **VARO-ILMOITUKSIA**, **HUOMAUTUKSIA** ja **ILMOITUKSIA**. Näiden ohjeiden laiminlyönti voi aiheuttaa vakavan vamman tai kuoleman. **VAROITUKSET** ovat turvallisuuden viestejä, jotka ilmaisevat että mahdollinen vaaratilanne, mikäli sitä ei vältetä, voi aiheuttaa vakavan vamman tai hengenmenetyksen. **VARO**-ilmoitukset ilmoittavat mahdollisesti vaarallisesta tilanteesta, joka voi aiheuttaa lievän tai kohtalaisen vamman, jos sitä ei vältetä. **VARO** ja **VAROITUS**-ilmoitukset yksilöivät vaaran, kertovat kuinka se voidaan välttää, ja mikä on mahdollinen seuraus, jos vaaraa ei vältetä. **HUOMIO**-ilmoitukset on tarkoitettu omaisuusvahinkojen välttämiseen. **HUOMAUTUKSET** ovat lisätietoja, jotka auttavat toimenpiteen suorittamisessa. **TYÖSKENTELE TURVALLISESTI!**

SÄILYTÄ TÄMÄ OHJEKIRJA ja muut mukana tulevat oppaat tulevaa tarvetta varten, ja lue niitä ajoittain jatkuvan turvallisen käytön takaamiseksi.

Ohjeista kaikkia tuotteen käyttäjiä lukemaan ohjekirja ennen laitteen käyttöä.

Lisää tuotekirjallisuutta verkossa:

- **Asennusopas (laajennettu kielet)**

- Tarjoaa vinssi asennusohjeet.

- **Vinssausmenetelmien perusopas**

- Antaa sinulle vinssin perustiedot ja opettaa oikeiden vinssausmenetelmien perusteet. Tämä on arvokas apu vinssin turvallista ja tehokasta käyttöä varten.

- **Tuotteen tekniset tiedot ja suorituskykytiedot**

- Sisältää tuotteen tekniset tiedot, suorituskykyä koskevat tiedot sekä varaosatiedot.

- **Muu tuotekirjallisuus tiettyjen tuotteiden osalta**

Katso/lataa saatavana olevat lisätuoteoppaat tai vaihtotuoteoppaat verkkosivustolta <https://www.warn.com/manuals/index.jsp>.

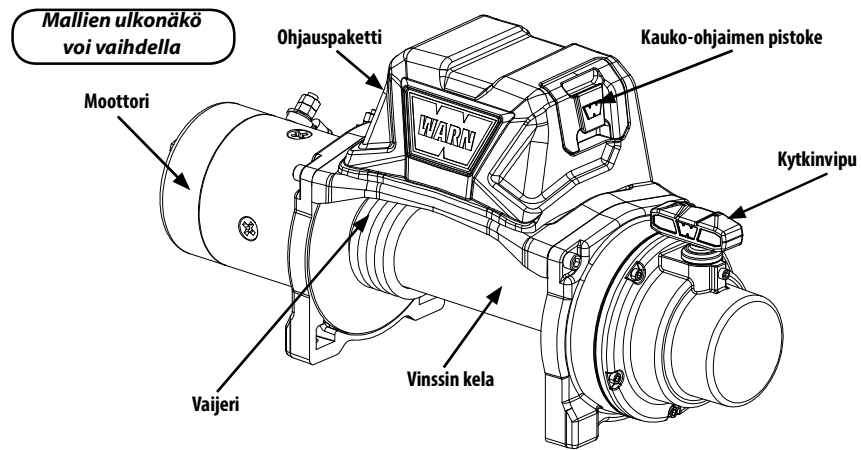


SISÄLLYSLUETTELO:

OHJEET

Tunne vinssisi.....	51
Ensimmäisen käyttökerran käyttöohjeet.....	52-55
Lopullinen analyysi ja huolto	56

Ennen kuin aloitat työskentelyn sinun on tutustuttava WARN®-vinssiin ja kaikkiin sen osiin.



- Moottori:** Vinssin moottorin tehonlähteenä on ajoneuvon akku. Moottori antaa voiman hammaspyörämekanismissa, joka kääntää vinsin rumpua ja kelaat vinsin vaijeria.
- Vinsin kela:** Vinsin kela on rumpu, jolle vinsin vaijeri syötetään. Kela toimii moottorilla ja ajolaitteella. Sen suuntaa voidaan muuttaa kauko-ohjaimen avulla.
- Vinsin vaijeri:** Vinsin vaijerin läpimitta ja pituus määräytyvät vinsin kuormituskyvyn ja rakenteen perusteella. Vinsin vaijeri on kierretty kelalle, ja sitä syötetään ohjaimen läpi. Sen päähän tehdään lenkki, johon kiinnitetään koukun sokkapultti.
- Synteettisellä köydellä varustetun mallin tapauksessa muista lukea WARN® synteettisen köyden asennusopas, jossa on tarkat asennusohjeet.**
- Kytkinvipu*:** Kytkimen avulla käyttäjä voi kytkeä kelan manuaalisesti irti hammaspyörästä, jolloin kela voi pyöriä vapaasti (vapaalle kytkentä). Kytkimen kytkeminen lukitsee kelan takaisin hammaspyörästä.
- Ohjauspaketti:** Ohjainyksikön solenoidit käyttävät ajoneuvon akun virtaa ja kytkevät virran moottoriin, minkä avulla käyttäjä voi muuttaa vinsin kelan pyörimissuuntaa.
- Määrätyille sovelluksille saatavana olevan valinnaisen ohjauksikön asennussarjan tiedot saat valtuutetulta WARN®-jälleenmyyjältä tai osoitteesta www.warn.com.**
- Kauko-ohjaimen pistoke*:** Kauko-ohjaimen pistoke on se kokonaisuus, johon käyttäjä liittää langallisen kaukosäätimen tai lisävarusteena toimitettavan langattoman kaukovastaanottimen, vinsin ohjaamista varten.

* Vain tietyissä malleissa.



ENNEN ALOITTAMISTA: lue huolellisesti läpi kaikki ohjeet ja turvallisuuteen liittyvät tiedot ennen vinsin asennusta ja käyttöä.

Vaihe 1: Vinsin asennus

VAROITUS Valitse aina kiinnityspaikka, joka on tarpeeksi vahva kestämään vinsin maksimivetokapasiteetin.

Ks. kiinnityksen ja johdotuksen ohjeet tuotekohtaisesta asennusoppaasta.

Vaihe 2: Järjestelmän tarkistus

Suorita järjestelmän tarkistus:

1. Tarkista kiristimet ja varmista, että ne ovat tiukalla ja kiristetty oikeaan vääntömomenttiin.
2. Varmista, että kaikki sähköjohdotukset kaikkiin komponentteihin ovat oikein ja varmista, että kaikki liittännät ovat tiukalla.
3. Tarkista ettei kytkennöissä ole peittämättömiä/paljaita johtoja, päätteitä tai kaapelieristysvikoja.
4. Lue Vinssaustekniikoiden perusopas läpi kokonaisuudessaan ennen vinsin käyttöä (<https://www.warn.com/manuals/index.jsp>)

Suoritettuasi järjestelmän tarkistuksen olet valmis käymään läpi "Ensimmäisen käyttökerran ohjeet".

Vaihe 3: Ensimmäisen käyttökerran ohjeet

Tässä osiossa kerrotaan ensimmäisen käyttökerran käyttöohjeet, jotka takaavat tehokkaan perusvinsauksen. Vinsin täysimittaisen käytön ja tekniikoiden osalta lue läpi Vinssaustekniikoiden perusopas, joka on saatavana verkossa osoitteesta <https://www.warn.com/manuals/index.jsp>. **VAROITUS** Älä koskaan käytä vinssiä nosturina pään yläpuolella tai kuorman ripustamiseen.

VAROITUS Älä koskaan käytä vinssiä nostamaan tai siirtämään henkilöitä.

Kaukosäädin:
VAROITUS Pidä johdotettu kauko-



ohjain ja virtajohto aina erossa rummusta, vaijerista ja kiinnityksestä. Tarkista laite murtumien, puristumien, johtojen kulumisen ja liittäntöjen löystymisen varalta. Vaurioituneet osat on vaihdettava uusiin ennen käyttöä.

VAROITUS Älä milloinkaan jätä kauko-ohjainta paikkaan, jossa se voi tulla tahattomasti aktivoituksi.

VAROITUS Älä koskaan jätä kauko-ohjainta liitettyksi vinssiin, kun teet asennusta, kelaat kytkin vapaalla, kiinnität vaijeria, teet huoltotoimia, tai kun vinssi ei ole käytössä.

Kauko-ohjaimella ohjataan kelan pyörimistä eteenpäin ja taaksepäin.

Irrota kauko-ohjain vinsistä käytön loppuksi. Kauko-ohjaimen jättäminen kiinni voi aiheuttaa tahattoman aktivoinnin ja/tai akun tyhjenemisen.

Kytkimen käyttö:

VAROITUS Älä koskaan kytke kytkintä päälle tai irti, jos vinssi on kuormitettu, vaijeri on jännitetty tai kela liikkuu.

ILMOITUS Varmista aina, että kytkin on kytketty täysin päälle tai täysin irti, kun vinssiä käytetään.

Kun kytkin on kytkettynä, hammaspyörästä on kytketty vinsin kelaan ja vinsin moottoria voidaan käyttää vetämiseen.

Kun kytkin on vapaalla, kela on vapaalla, hammaspyörästä ja vaijerikela eivät ole kytkettyneet, jolloin kela pystyy pyörimään vapaasti.

Kytkinvipu (tietyissä malleissa) sijaitsee tyypillisesti vinsin kotelossa moottoria vastapäätä ja ohjaa kytkimen asentoa.

Vaurioiden välttämiseksi on tärkeää, että kytkinvipu on joko täysin päälle kytkettyssä tai täysin irti kytketyssä asennossa.

Kelaus ulos

VAROITUS Älä koskaan käytä vinssiä, jos kelalla ei ole vähintään 5 kierrosta vaijeria, tai 10 kierrosta synteettistä köyttä rummun ympärillä. Vaijeri voi irtautua rummusta.

VAROITUS Pidä aina kätesi poissa vaijerista, koukun silmukasta ja koukun ja ohjaimen aukosta asennuksen ja käytön aikana sekä kelatessasi vaijeria sisään tai ulos.

VAROITUS Käytä aina paksuja nahkakäsineitä vaijeria käsitellessäsi.



Kelaus rummun ollessa kytkettynä vapaalle on yleensä nopein ja helpoin tapa kelata vinssin vaijeri ulos. Ennen kuin alat kelata

vinssin vaijeria ulos vinnssistä, poista vaijerista mahdollinen jännite kelaamalla sitä moottorin avulla hieman ulos. Kytke kytkin irti. Tämän jälkeen voit kelata käsin tarpeeksi vinssin vaijeria ulos vinnssausta varten kelalla ollessa kytkettynä vapaalle. Katso Vinnsaustekniikan perusoppaasta lisätietoja. Teos on löydettävissä verkossa, osoitteessa: <https://www.warn.com/manuals/index.jsp>.

ILMOITUS Älä kelaa vaijeria ulos enempää kuin 10 metriä, ellei anna vinssin jäähtyä 20 minuuttia ennen kuin kelaat vaijerin takaisin sisään. Aseta sen sijaan kytkin vapaalle, ja vedä vaijeri ulos käsin.

VAROITUS Käytä aina toimitettua koukkuhinaa kelatessasi vaijeria sisään tai ulos.

Sisäänkelaus kuormitettuna

VAROITUS Älä koskaan ylitä vinssin tai vaijerin nimellistä kapasiteettia.



Kelaa vinssin vaijeri moottorilla tasaisesti ja tiukasti kelalle. Tämä estää ulompia vaijerikerroksia painumasta sisempien kerrosten sisään, tarttumasta kiinni ja vioittamasta vinssin vaijeria.

Vältä äkkikuormitusta kelaamisen aikana kelaamalla löysällä oleva vinssin vaijeri ohjauskytkimellä sykäyksittäin. Äkkikuormitus voi ylittää hetkellisesti vinssin ja vaijerin nimelliskapasiteetin.

Sisäänkelaus kuormittamattomana

VAROITUS Älä koskaan koske vaijeriin tai koukkuun toisen henkilön käyttäessä ohjauskytkintä, vinnsausvaijerin ollessa kuormitettuna tai vinnsausauksen aikana.

Kelaus avustajan kanssa: Pyydä avustajaa pitämään koukkuja ja kohdistamaan vinssin vaijeriin mahdollisimman suuri tasainen jännitys. Avustajan tulee pitää vinssin vaijeri kireällä ja kävellä vinssiä kohti samalla, kun itse kelaat vaijeria kelalle ohjauskytkimellä. Irrota kytkin, kun koukku on vähintään 2 metrin päässä vaijerin ohjaimen aukosta.

Kelaa loppuosaa sisään säilytysasentoon seuraavien ohjeiden mukaan.

Kelaus yksin: Aseta vinssin vaijeri siten, ettei se mene mutkalle tai sekaisin kelattaessa. Varmista, että kelalla olevat vinssin

vaijerikerrokset ovat tasaisia ja tiukkoja. Kelaa niin paljon vaijeria, että se muodostaa seuraavan täyden kerroksen kelalle. Kiristä ja suorista kerros. Toista toimenpidettä, kunnes koukku on vähintään 2 metrin päässä vaijerin ohjaimen aukosta.

Loppuosan kelaaminen säilytysasentoon

Kun koukku on 2 metrin sisällä ohjaimesta, irrota koukku kiinnityspaikasta tai kuormasta. Pidä kiinni mukana tulevasta koukkuhihnasta ja pidä vaijeri kireällä. Kelaa vaijeria hitaasti sisään käyttämällä kauko-ohjaimen sisäänkelauskytkintä sykäyksittäin, kunnes koukku on enintään 1 metrin päässä ohjaimesta.

Lopeta kelaaminen ja kiinnitä koukku sopivaan kiinnityskohtaan ajoneuvossa.

ILMOITUS Älä vedä koukkuja ohjaimen väkisin. Tämä saattaa vahingoittaa ohjainta.

Kun koukku on kiinnitetty ajoneuvoon, kelaa löysä vaijeri sisään käyttäen kauko-ohjaimen kytkintä sykäyksittäin, kunnes vaijerissa on mahdollisimman vähän löysää.

Ylikuormitus/ylikuumentuminen

VAROITUS Muista aina, että vinssin moottorin ja kelan tai vaijerin pinta voi olla kuuma vinssin käytön aikana tai sen jälkeen.

Tämä vinssi on tarkoitettu ajoittaista käyttöä varten. Kun moottori lähestyy seisontanopeutta, siinä tapahtuu erittäin nopeaa lämmönmuodostusta, joka voi vaurioittaa moottoria.

Kaksoisvaijerin kiinnitys (ks. Vinnsaustekniikoiden perusopas) vähentää virranottoa ja moottorin lämmönousua. Tämä mahdollistaa pidemmän yhtäjaksoisen käytön.

Ti-moottorin lämpötilan ilmaisimien (Ti-malleille)

Ti-mallin vinssit on varustettu moottorikiinnitteisellä lämpöanturilla, joka välittää lämpötilatiedot vinssin käyttäjälle LED-ilmaisinvallolla käsikäyttöisessä

kaukosäätimessä.

Kun moottori saavuttaa lämpötilan, joka voi johtaa vaurioon, kauko-ohjaimen LED vilkkuu. Pysäytä vinssin käyttö niin pian kuin on turvallista tehdä näin ja anna moottorin jäähtyä.

VINSSIN VAIJERIN VENYTTÄMINEN

VAROITUS Esivenyttä aina vaijeri ja kelaa se uudelleen kuormitettuna ennen käyttöä.

VAROITUS Tarkasta aina vaijeri, koukku ja raksit ennen vinssin käyttöä. Rispaantunut, taipunut tai vaurioitunut vaijeri on vaihdettava välittömästi. Vaurioituneet osat on vaihdettava uusiin ennen käyttöä. Suojaa osia vaurioitumiselta.

Vaijerin kiristäminen on tärkeää tuotteen pitkän käyttöiän varmistamiseksi. Vaijerin kiristäminen estää vaijerin ulompia kerroksia puristamasta ja vahingoittamasta sisempiä kerroksia.

Ensimmäistä kertaa käytettäessä vaijeri on kelattava kelalle kuormituksen ollessa vähintään 454 kg.

Venyttä vaijeri kunnolla vinssin kelalle seuraavien ohjeiden mukaan.



VAROITUS Käytä aina paksuja käsineitä vinssin vaijeria käsitellessäsi.

1. Valitse **TASAINEN JA VAAKASUORA** paikka, joka on riittävän suuri koko vaijerin pituudelle.
2. Kytke kytkin irti.

VAROITUS Pidä aina kätesi poissa vaijerista, koukun silmukasta ja koukun ja ohjaimen aukosta asennuksen ja käytön aikana sekä kelatessasi vaijeria sisään tai ulos.

3. Tartu koukkuhintaan ja kelaa vaijeria auki, kunnes kelalla on vähintään 5 kierrosta vaijeria jäljellä (10, jos käytössä on synteettinen köysi).
4. Varmista, että vaijeri kelautuu ulos kelan alapuolelta eikä sen päältä, koska muutoin automaattinen kuormajarru ei toimi kunnolla. **HUOM.:** Jos vinssin vaijeri kelautuu ulos kelan päältä, olet kääntänyt kelaa kauko-ohjaimella "ulos" etkä "sisään". Varmista, että kelaat sisään.

VAROITUS Kelaa aina vinssin vaijeri kelan pohjalle (kiinnityspuolelle).

ILMOITUS Vinnsjarrun oikean toiminnan varmistamiseksi vinssin vaijeri on kelattava kelalle sille määritettyyn suuntaan. *Ks. kelan kiertomerkintä, joka sijaitsee vinnssissä.



5. Kun vaijeri on kelautunut ulos, käynnistä kytkin.

VAROITUS Varmista aina, että koukun salpa on suljettu.

VAROITUS Kohdista kuormitus aina vain koukun keskikohtaan.



VAROITUS Älä koskaan kohdista kuormitusta koukun kärkeen tai käytä koukkuja, joka on taipunut tai kiertynyt.

6. Liitä vaijerin päässä oleva koukku sopivaan kiinnityspaikkaan.

VAROITUS Poista aina kaikki esteet, jotka voivat estää vinssin turvallisen toiminnan.

VAROITUS Älä koskaan kiedo vaijeria kiinni itseensä. Käytä ketjua tai hinaa kiinnityskohdassa.



VAROITUS Varmistaudu aina, että valitsemasi kiinnityskohta kestää kuormituksen ja ettei hinaa tai ketju luiskahda pois paikoiltaan.

7. Palaa ajoneuvosi luokse.
8. Peruuta ajoneuvoa kiinnityspisteeltä kunnes vaijeri on melko kireä.
9. Kytke seisontajarru, aseta vaihteisto pienelle vaihteelle tai pysäköintiasentoon ja sammuta moottori.

VAROITUS Pysy aina poissa vinssin vaijerin ja kuorman läheltä, ja pidä myös muut henkilöt loitolla vinnsausauksen aikana.

10. Poistu ajoneuvosta. **VAROITUS!** Älä koskaan poistu ajoneuvosta, jos vinssin vaijeri on kuormitettuna. Pysy noin 2,5 metrin päässä vinnssistä, ja kelaa vinnssillä kunnes löysä vaijeri on kelattu kokonaisuudessaan kelalle.

VAROITUS Älä koskaan koske vaijeriin tai koukkuun toisen henkilön käyttäessä ohjauskytkintä, vinnsausvaijerin ollessa kuormitettuna tai vinnsausauksen aikana.

VAROITUS Älä koskaan anna vaijerin luisua käsiesi kautta.

ENSIMMÄISEN KÄYTTÖKERRAN KÄYTTÖOHJEET

11. Käytä hansikkaita, pidä vaijeria kireällä yhdellä kädellä ja työnnä vaijeria varovasti kohti sitä reunaan, johon vaijeri on kiinnitetty, jotta kelan kierrosten väliin ei jää aukkoja.
12. Seuraavissa vaiheissa tarvitaan kaksi henkilöä turvallisuuden varmistamiseksi. Jos yrität venyttää vaijeria yksin, kytke pysäköintijarru päälle, aseta vaihteisto pienelle vaihteelle ja sammuta moottori **aina**, kun nousest ajoneuvosta tarkastamaan vaijeria. **ILMOITUS** *Kelaa jokainen kerros varovasti ja tasaisesti, jotta vaijeri ei vahingoitu.*
- VAROITUS** Älä koskaan käytä kaukosäädintä, jos et näe ajoneuvoasi.
13. Ajoneuvon kuljettajan on toimittava vinssin käyttäjänä.
14. Neuvo avustajaasi seisomaan ajoneuvon sivulla, riittävän etäällä vinssistä ja sen vaijerista. **HUOM.: Avustajan on tarkkailtava vaijerin kelautumista vaijerin ohjaimen yli ja annettava merkki, kun vaijeri kelautuu oikein.**
15. Käynnistä ajoneuvo ja aseta vaihde vapaalle. Vapauta seisontajarru painaen samalla jarrupoljinta rauhallisesti.
16. Kytke sisäänkelaus aloittaaksesi sisään vinssauksen.
17. Kun olet kelannut noin 2 metriä, lopeta kelaaminen.
18. Nosta jalka jarrupolkimelta hitaasti ja kytke seisontajarru. Näin varmistat, ettei vinssin vaijerissa ole kuormaa.
19. Aseta vaihteisto vaihteelle tai pysäköintiasentoon ja sammuta moottori.
20. Poistu ajoneuvosta ja varmista, että vaijeri kelautuu vinssin kelalle tasaisesti eikä uppoa alempaan kerrokseen. Jos vaijeri uppoaa, kelaat vaijeri ulos painamalla vaijerin vapautuspainiketta kaukosäätimessä, ja toista tämä vaihe alusta painaen jarrupoljinta enemmän.
21. Kun olet varma, että vaijeri kelautuu vinssin kelalle oikein, toista vaihetta 6 niin kauan, kunnes ajoneuvo

- on noin 2 metrin etäisyydellä kiinnityskohdasta. Kun ajoneuvo on 2 metrin sisällä kiinnityskohdasta, nosta jalka jarrupolkimelta hitaasti ja kytke pysäköintijarru päälle. Näin varmistat, ettei vinssin vaijerissa ole kuormaa. Aseta sitten vaihteisto vaihteelle tai pysäköintiasentoon ja sammuta moottori.
22. Poistu ajoneuvosta. Irrota koukku kiinnityspaikasta.
23. Samalla kun pidät kiinni koukkuhihnasta, pidä vaijeri kireällä ja kelaat vinssiä hitaasti käyttäen kauko-ohjaimen painiketta sykäyksittäin, kunnes koukku on noin 1 metrin etäisyydellä vaijerin ohjaimesta.
24. Lopeta kelaaminen ja kiinnitä koukku sopivaan kiinnityskohtaan ajoneuvossa.
25. Kun koukku on kiinnitetty ajoneuvoon, kelaat löysä vaijeri sisään käyttäen kauko-ohjaimen painiketta sykäyksittäin, kunnes vaijerissa on mahdollisimman vähän löysää.
- ILMOITUS** Älä vedä koukkuja ohjaimen väkisin. Se saattaa vahingoittaa ohjainta.

Vaijerin kiinnitys

Täydelliset ohjeet vaijerin kiinnitykseen saat lukemalla vinssaustekniikoiden perusoppaan, jonka voit ladata osoitteesta <https://www.warn.com/manuals/index.jsp>.

LOPULLINEN ANALYYSI JA HUOLTO

Tarkistus	Ennen ensimmäistä käyttöä	Jokaisen käytön jälkeen	90 päivän välein
Käytä aikaa ohjeiden sekä Käyttöoppaan ja Vinssaustekniikoiden perusoppaan lukemiseen, jotta ymmärrät vinssin toimintaperiaatteen	X		
Tarkista kiinnikkeet ja varmista, että ne ovat tiukat ja oikein kiristetty. Vaihda vahingoittuneet kiinnittimet.	X		X
Tarkista, että kaikki johtokomponentit ovat oikein ja varmista, että ne ovat kunnolla kiinni kytkentäpisteissä.	X		X
Tarkista ettei paljaita johtoja, liitäntöjä tai kaapelieristysvikoja ole (kulumista/leikkautumista). Peitä kaikki paljaat kohdat liitinsuojuksilla. Korjaa tai vaihda vahingoittunut sähköjohto.	X		X
Tarkista vinssin vaijeri, koukku ja kiinnikkeet. Rispaantunut, taipunut tai vaurioitunut vaijeri on vaihdettava välittömästi. Vaurioituneet osat on vaihdettava uusiin ennen käyttöä.	X	X	X
Pidä vinssi, vaijeri ja ohjauskytkin puhtaina. Puhdista lika ja roskat puhtaalla rievulla tai pyyhkeellä.		X	
Jos vinssi on veden peittämä: Kelaat vinssin vaijeri ulos ja takaisin n. 10 metrin matkalta. Noudata ohjetta "Vinssin vaijerin venytys" vinssin kuivaamiseksi.	X	X	

Tutustu vinssiisi ja vinssaukseen huolella lukemalla vinssaustekniikoiden perusoppas (Basic Guide to Winching Techniques), jonka voit ladata osoitteesta

<https://www.warn.com/manuals/index.jsp>.

Lisätietoja ja vastauksia kysymyksiin saat ottamalla yhteyttä:

WARN INDUSTRIES, INC.

12900 S.E. Capps Road, Clackamas

OR USA 97015-8903, 1-503-722-1200,

Asiakaspalvelu: +1 (800) 543 9276

Myyntiliikkeen paikannuspalvelu: 1 800 910 1122

Tai käy sivulla www.warn.com.

Bedieningshandleiding lier

Deze handleiding bevat belangrijke veiligheidsinformatie en geeft aan hoe u uw lier dient te gebruiken. Het is belangrijk om **alle** instructies en veiligheidsinformatie zorgvuldig te lezen **VOORDAT** u begint met het instellen van de lier en daarmee gaat werken.

Bij het lezen van deze instructies komt u de aanduidingen **WAARSCHUWING**, **LET OP**, **MEDEDELING** en **OPMERKING** tegen. Niet volgen van deze instructies kan resulteren in zwaar letsel of de dood. **WAARSCHUWING** duidt op een mogelijk gevaarlijke situatie die, indien niet vermeden, zwaar lichamelijk letsel of de dood tot gevolg kan hebben. **LET OP** duidt op een mogelijk gevaarlijke situatie die, indien niet vermeden, licht of middelzwaar lichamelijk letsel tot gevolg kan hebben. Onder **LET OP** en **WAARSCHUWING** worden de gevaren beschreven, wordt uitgelegd hoe ze kunnen worden vermeden en wat de mogelijke gevolgen zijn van het negeren van het gevaar. **MEDEDELINGEN** zijn meldingen over hoe materiële schade kan worden vermeden. **OPMERKINGEN** verstrekken aanvullende informatie om u te helpen een procedure te voltooien. **VEILIGHEID VÓÓR ALLES!**

BEWAAR DEZE HANDLEIDING en andere documentatie over dit product zodat u ze later opnieuw kunt nalezen en regelmatig kunt raadplegen voor blijvend veilig gebruik.

Verplicht alle gebruikers van dit product om deze handleiding na te lezen vóór gebruik.

Aanvullende productinformatie is online beschikbaar:

- **Install Guide (verlengd talen)**
 - Biedt winch installatie-instructies.
- **Basishandleiding voor liertechnieken**
 - Biedt u basiskennis over de lier en het gebruik van de juiste liertechnieken. Het is een waardevolle bron voor veilig en efficiënt gebruik van de lier.
- **Productspecificaties en prestaties**
 - Geeft u informatie over de productspecificaties, prestaties en reserveonderdelen.
- **Specifieke documentatie over andere producten**

Ga naar <https://www.warn.com/manuals/index.jsp> voor het bekijken of downloaden van informatie over andere producten of reserveonderdelen.

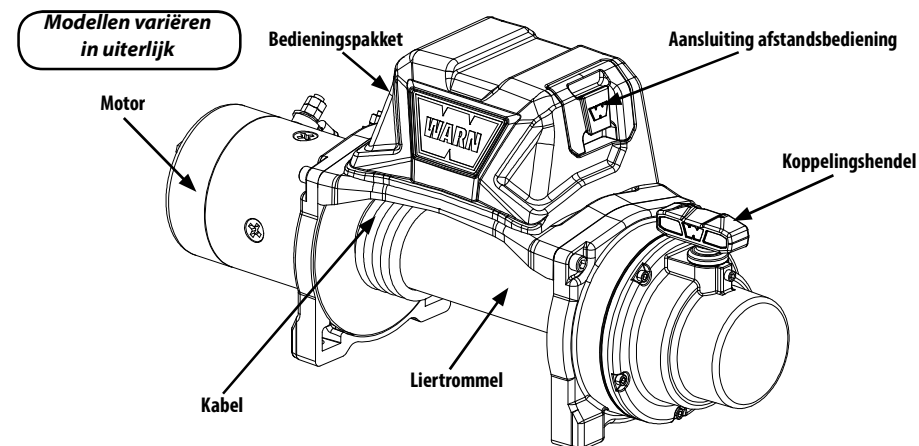


INHOUDSOPGAVE:

INSTRUCTIES

Leer uw lier kennen	58
Bedieningsinstructies voor eerste gebruik	60-62
Slotopmerkingen en onderhoud	63

Maak uzelf eerst vertrouwd met uw WARN®-lier en al zijn onderdelen:



Motor:

De liermotor wordt aangedreven door de accu van het voertuig. De motor levert vermogen aan het tandwielmechanisme, zodat de liertrommel gaat draaien en de lierkabel wordt op- of afgewikkeld.

Liertrommel:

De liertrommel is de cilinder waarop de lierkabel wordt gewikkeld. De liertrommel wordt aangedreven door de motor en de transmissie. De draairichting van de trommel kan met de geavanceerde draadloze afstandsbediening worden gewijzigd.

Lierkabel:

De diameter en lengte van de lierkabel worden bepaald door de trekcapaciteit en de constructie van de lier. De kabel wordt rond de liertrommel gewikkeld en door de kabelgeleider gevoerd. Het kabeluiteinde is voorzien van een lus waar de haakpen doorheen wordt gestoken.

Lees voor modellen met synthetische kabels in elk geval de volledige WARN®-gebruikshandleiding voor gedetailleerde montage-instructies van synthetische kabels.

Koppelingshendel*:

Met de koppeling kan de bediener de liertrommel handmatig loskoppelen van het tandwielstelsel, zodat de trommel vrij kan draaien (bekend als 'vrijloop'). Wanneer de koppeling wordt ingeschakeld, wordt de liertrommel weer aan het tandwielstelsel gekoppeld.

Bedieningspakket:

Met de schakelaar van het bedieningspakket wordt het elektrische vermogen van de voertuigaccu naar de motor ingeschakeld, zodat de operator de draairichting van de liertrommel kan wijzigen.

Voor specifieke toepassingen kunt u informatie over de optionele verplaatsingsset voor het bedieningspakket vinden bij de erkende WARN®-dealer of op www.warn.com.

Aansluiting

afstandsbediening*: De operator steekt de bedrade afstandsbediening of de optionele draadloze externe ontvanger in de aansluiting voor de afstandsbediening en kan zo de lier bedienen.

*** Specifiek voor bepaalde modellen.**



VOORAF moet u de tijd nemen om alle instructies en veiligheidsinformatie zorgvuldig te lezen voordat u begint met het installeren en bedienen van de lier.

Stap 1: Installatie van de lier

WAARSCHUWING Kies altijd een installatieplaats die stevig genoeg is om de maximale trekcapaciteit van de lier te kunnen weerstaan.

Kijk naar uw productspecifieke installatiehandleiding voor de montage- en bedradingsinstructies.

Stap 2: Systemcontrole

Systemcheck uitvoeren:

1. Controleer of alle bevestigingsonderdelen met het juiste aanhaalmoment zijn vastgezet.
2. Controleer of de bedrading naar alle onderdelen correct is en of deze stevig aan alle aansluitpunten is bevestigd.
3. Controleer of er geen blootliggende/kale bedrading of aansluitpunten aanwezig zijn en of de kabelisolatie niet is beschadigd.
4. Lees de Basishandleiding voor liertechnieken volledig, voordat u met uw lier gaat werken (<https://www.warn.com/manuals/index.jsp>)

Wanneer u een systemcontrole hebt uitgevoerd, bent u klaar om de 'Bedieningsinstructies voor eerste gebruik' uit te voeren.

Stap 3: Bedieningsinstructies voor eerste gebruik

In dit hoofdstuk komen de Bedieningsinstructies voor eerste gebruik aan bod. Voor de volledige lierbediening en -technieken leest u de Basishandleiding voor liertechnieken die u online kunt vinden op <https://www.warn.com/manuals/index.jsp>.

WAARSCHUWING Gebruik de lier nooit als hefwerktuig of om lasten op te hangen.



WAARSCHUWING Gebruik de lier nooit om personen te heffen of verplaatsen.



Afstandsbediening:

WAARSCHUWING Houd altijd de voedings- en afstandsbedieningskabel uit de buurt van de trommel, kabel en takelinrichting. Controleer op barsten, inkepingen, gerafelde draden of losse aansluitingen. Beschadigde onderdelen moeten voor gebruik vervangen worden.

WAARSCHUWING Laat de afstandsbediening nooit achter op een plaats waar deze kan worden geactiveerd.

WAARSCHUWING Laat de afstandsbediening nooit aangesloten op de lier tijdens installatie, afwikkelen in vrijloop, takelen, bij het uitvoeren van onderhoud of wanneer de lier niet wordt gebruikt.

Met de afstandsbediening kan het af- en opwikkelen van de liertrommel worden geregeld.

Laat de afstandsbediening niet aangesloten op de lier wanneer deze niet wordt gebruikt. Als de afstandsbediening aangesloten blijft, kan dit resulteren in onverwachte activering van de lier en/of ontlading van de accu.

Bediening van koppeling:

WAARSCHUWING Bedien de koppeling nooit wanneer de lier wordt belast, de lierkabel onder spanning staat of de trommel draait.

MEDEDELING Zorg er altijd voor dat de koppeling volledig gekoppeld of ontkoppeld is.

Als de koppeling is ingeschakeld, is het tandwielstelsel gekoppeld aan de liertrommel en kan vermogen van de liermotor worden overgedragen.

Als de koppeling is uitgeschakeld, staat de trommel in vrijloop en zijn het tandwielstelsel en de kabeltrommel ontkoppeld, zodat de trommel vrij kan draaien.

De koppeling (specifiek voor bepaalde modellen) wordt bediend door middel van de koppelingshendel die zich op de lierbehuizing tegenover de motor bevindt. Om schade te voorkomen, dient u de koppelingshendel altijd volledig te koppelen of volledig te ontkoppelen.

Afwikkelen

WAARSCHUWING Bedien de lier nooit met minder dan 5 wikkelingen rond de trommel bij staalkabel, of 10 wikkelingen bij synthetische kabel. De kabel kan mogelijk loskomen van de trommel.

WAARSCHUWING Blijf altijd met de handen uit de buurt van de lierkabel, de haaklus, de haak en de kabelgeleideropening tijdens de montage en het gebruik, en bij het op- en afwikkelen.



WAARSCHUWING Draag altijd stevige lederen werkhandschoenen bij het hanteren van de lierkabel.

Afwikkelen in vrijloop is over het algemeen de snelste en gemakkelijkste manier om de lierkabel af te wikkelen. Voordat de kabel in vrijloop kan worden afgewikkeld, moet er elektrisch voldoende kabel worden afgewikkeld om eventuele trekspanning op de kabel weg te nemen. Ontkoppel de koppeling. Wikkel vervolgens in vrijloop handmatig voldoende kabel af om de lierwerkzaamheden uit te voeren. Zie voor meer informatie de Basishandleiding voor liertechnieken die u kunt vinden op: <https://www.warn.com/manuals/index.jsp>.

MEDEDELING Als u meer dan 9 m staalkabel elektrisch afwikkelt, moet de lier 20 minuten afkoelen voordat u de kabel weer opwikkelt. Zet in plaats daarvan de koppeling in vrijloop en wikkel de kabel handmatig af.

WAARSCHUWING Gebruik altijd de meegeleverde haakband bij het op- en afwikkelen.



Opwikkelen onder belasting

WAARSCHUWING Overschrijd nooit de nominale capaciteit van de lier of lierkabel.

Wikkel de lierkabel gelijkmatig en strak op de trommel. Dit voorkomt dat de buitenste trommelwikkelingen in de binnenste wikkelingen worden getrokken, met mogelijk vastlopen en beschadiging van de lierkabel tot gevolg.

Vermijd piekbelastingen bij het wikkelen door de bedieningsschakelaar af en toe los te laten om speling uit de lierkabel te verwijderen. Piekbelastingen kunnen de nominale capaciteit van lier en kabel kortstondig ver overschrijden.

Opwikkelen zonder belasting

WAARSCHUWING Raak nooit de lierkabel of haak aan, terwijl iemand anders de bedieningsschakelaar bedient tijdens lierwerkzaamheden of wanneer deze onder belasting staat.

Opwikkelen met assistentie: Laat uw helper de haak met de haakband vasthouden, waarbij hij/zij zoveel mogelijk constante spanning op de lierkabel houdt. Terwijl de kabel gespannen blijft, loopt de helper vervolgens naar de lier terwijl u de bedieningsschakelaar bedient om de lierkabel op te wikkelen. Laat de schakelaar los wanneer de haak zich op minimaal 2 m van de kabelgeleideropening bevindt.

Wikkel de resterende kabellengte op zoals hieronder aangegeven.

Alleen opwikkelen: Leg de kabel zodanig neer dat er bij het opwikkelen geen knikken of knopen ontstaan. Zorg ervoor dat de lierkabel strak en in gelijkmatige lagen op de trommel

wordt gewikkeld. Wikkel steeds voldoende lierkabel op om een volledige laag op de trommel te voltooiën. Zorg dat de laag strak en recht ligt. Herhaal dit proces totdat de haak zich minimaal 2 m van de kabelgeleider bevindt.

Resterende kabellengte opwikkelen

Haal als de haak zich op 2 m van de kabelgeleider bevindt de haak los van het ankerpunt of de last. Houd de meegeleverde haakband vast om spanning op de staalkabel te houden. Wikkel de kabel langzaam op door de bedieningsschakelaar op de afstandsbediening afwisselend in te drukken en los te laten totdat de haak binnen 1 m van de kabelgeleider is.

Stop met het opwikkelen van de kabel en bevestig de haak aan een geschikt ankerpunt op het voertuig.

MEDEDELING Trek de haak niet elektrisch in de kabelgeleider. Hierdoor kan de kabelgeleider beschadigd raken.

Wikkel, zodra de haak op geschikte wijze aan het voertuig is bevestigd, de resterende kabellengte op door de bedieningsschakelaar IN op de afstandsbediening afwisselend in te drukken en los te laten tot er een minimale speling in de lierkabel overblijft.

Overbelasting/oververhitting

WAARSCHUWING Wees u tijdens of na het gebruik van de lier altijd bewust van mogelijk hete oppervlakken op de liermotor, trommel of staalkabel.

De capaciteit van deze lier is gebaseerd op werkbelasting met onderbrekingen. Wanneer de motor het blokkeertoerental nadert, ontstaat er een zeer snelle hittevorming die motorschade kan veroorzaken.

Takelen met dubbele kabel (zie Basishandleiding voor liertechnieken) vermindert het stroomverbruik en daarmee de hittevorming in de motor. De lier kan dan langer onafgebroken worden gebruikt.

Ti-Motortemperatuurindicator (voor Ti-modellen)

De lieren van het Ti-model zijn uitgerust met een thermische sensor die op de motor is bevestigd en die temperatuurinformatie doorstuurt naar de bediener van de lier door middel van een LED-indicator op de afstandsbediening.

Als de motor een temperatuur bereikt die bij langdurig liergebruik kan resulteren in schade, gaat de LED op de afstandsbediening knipperen. Stop de lier zodra het veilig is om dat te doen en laat de motor afkoelen.

LIERKABEL UITREKKEN

WAARSCHUWING Rek de staalkabel altijd van tevoren uit en wikkel deze vóór gebruik onder belasting opnieuw op.

WAARSCHUWING Inspecteer altijd de lierkabel, haak en stropen alvorens de lier te gebruiken. Een gerafelde, geknikte of beschadigde lierkabel moet onmiddellijk vervangen worden. Beschadigde onderdelen moeten voor gebruik vervangen worden. Bescherm de onderdelen tegen beschadiging.

Het uitrekken van de lierkabel is essentieel om een lange productlevensduur te garanderen. Het uitrekken voorkomt dat de buitenste lagen van de lierkabel de binnenste lagen beknellen en vervormen.

Bij het eerste gebruik moet een nieuwe lierkabel op de trommel worden gewikkeld onder een belasting van minimaal 454 kg.

Volg de onderstaande instructies om de lierkabel bij het uitrekken op de juiste wijze op de liertrommel te wikkelen.

WAARSCHUWING Draag altijd stevige lederen werkhandschoenen bij het hanteren van de lierkabel.



1. Kies een **PLATTE EN VLAKKE** locatie die groot genoeg is om de gehele kabellengte af te wikkelen.
2. Ontkoppel de koppeling.

WAARSCHUWING Blijf altijd met de handen uit de buurt van de lierkabel, de haaklus, de haak en de kabelgeleideropening tijdens de montage en het gebruik, en bij het op- en afwikkelen.

3. Houd de haakband vast en wikkel de lierkabel af tot de laatste 5 wikkelingen rond de trommel (10 wikkelingen bij een synthetische kabel).
4. Zorg ervoor dat de lierkabel via de onderkant van de trommel afwikkelt en niet aan de bovenkant. Als dat toch gebeurt, zal de automatische rem niet goed functioneren. **OPMERKING:** Als de lierkabel wordt afgewikkeld via de bovenkant van de trommel, heeft u de lier op de afstandsbediening op 'afwikkelen' gezet in plaats van op 'opwikkelen'. Zorg dat de lier op opwikkelen staat ingesteld.

WAARSCHUWING Wikkel de lierkabel altijd op via de onderkant (montagezijde) van de trommel.



MEDEDELING Voor juist functioneren van de lierrem moet de lierkabel in de aangegeven richting op de trommel zijn gewikkeld. *Zie trommelrotatielabel op de lier.

5. Bedien de koppeling wanneer de lierkabel opgewikkeld is.

WAARSCHUWING Verzeker u er altijd van dat de haakgrendel is gesloten en niet wordt belast.

WAARSCHUWING Breng de last uitsluitend in het midden van de haak aan.



WAARSCHUWING Bevestig nooit een last aan de punt als die verboden of gedraaid is.

6. Maak de haak van de kabel vast aan een geschikt ankerpunt.

WAARSCHUWING Verwijder altijd obstakels die een belemmering kunnen vormen voor een veilig gebruik van de lier.

WAARSCHUWING Wikkel de staalkabel nooit terug naar zichzelf. Gebruik altijd een ketting of band om het ankerpunt.



WAARSCHUWING Zorg ervoor dat het gekozen ankerpunt de last kan weerstaan, en dat de band of ketting niet kan slippen.

7. Keer terug naar uw voertuig.
8. Rijd met het voertuig weg van het ankerpunt totdat de lierkabel weinig speling heeft.
9. Zet het voertuig op de parkeerrem, schakel naar een versnelling of de parkeerstand en zet de motor uit.

WAARSCHUWING Houd altijd een ruime afstand tot de lierkabel en de last en houd anderen uit de buurt tijdens lierwerkzaamheden.

10. Stap uit het voertuig. **GEVAAR!** Stap nooit uit het voertuig terwijl de lierkabel belast is. Neem ongeveer 2,50 m afstand van de lier en wikkel de lier elektrisch op totdat alle speling op de trommel is gewikkeld.

WAARSCHUWING Raak nooit de lierkabel of haak aan, terwijl iemand anders de bedieningsschakelaar bedient tijdens lierwerkzaamheden of wanneer deze onder belasting staat.

WAARSCHUWING Laat nooit de lierkabel door uw handen glijden.

11. Houd, met handschoenen aan, met één hand spanning op de lierkabel en druk de lierkabel voorzichtig naar de kant van de trommel waar al kabel ligt, zodat er geen ruimte ontstaat tussen de wikkelingen op de trommel.
12. Om de veiligheid te waarborgen, dienen de volgende stappen te worden uitgevoerd door twee personen. Als u de lierkabel alleen wilt uitrekken, moet u het voertuig

altijd op de parkeerrem, in een versnelling of in de parkeerstand zetten en de motor uitzetten elke keer als u uit het voertuig stapt om de lierkabel te inspecteren.

MEDEDELING Zorg ervoor dat elke laag gelijkmatig wordt gewikkeld om schade aan de kabel te voorkomen.

WAARSCHUWING Gebruik de afstandsbediening nooit als het voertuig niet in het gezichtsveld van de bediener is.

13. De bestuurder van het voertuig dient de lier te bedienen.

14. Laat uw helper aan de zijkant van het voertuig staan, weg van de lierkabel. **OPMERKING:** Uw helper moet aangeven of de kabel wel of niet correct wordt opgewikkeld door de kabel over de kabelgeleider te volgen tijdens het opwikkelen.

15. Start het voertuig en zet de versnelling in zijn vrij. Haal het voertuig van de parkeerrem en oefen een middelmatige druk uit op het rempedaal.

16. Zet het opwikkelen van de lierkabel aan om met opwikkelen te beginnen.

17. Stop nadat u ongeveer 1,8 m hebt opgewikkeld met opwikkelen.

18. Laat het rempedaal langzaam los en bekrachtig vervolgens de parkeerrem. Dit zorgt ervoor dat er geen belasting op de lierkabel staat.

19. Schakel vervolgens naar een versnelling of de parkeerstand en zet de motor uit.

20. Stap uit het voertuig en controleer de lier om zeker te zijn dat de kabel gelijkmatig op de trommel wordt gewikkeld en niet in de onderliggende laag wordt getrokken. Als de lierkabel in de onderliggende laag zinkt, wikkel de kabel dan weer af en herhaal deze stap vanaf het begin met meer druk op het rempedaal.

21. Als u ervan overtuigd bent dat de lierkabel correct op de trommel wordt gewikkeld, herhaal dan de stappen totdat het voertuig zich binnen 2 m van het lierankerpunt bevindt. Laat eenmaal binnen de 2 m langzaam het rempedaal los en bekrachtig de parkeerrem. Dit zorgt ervoor dat er geen belasting op de lierkabel staat. Schakel vervolgens naar een versnelling of de parkeerstand en zet de motor uit.

22. Stap uit het voertuig. Maak de haak los van het ankerpunt.

23. Houd de meegeleverde haakband vast, houd spanning op de lierkabel en wikkel de lier elektrisch op door de bedieningsschakelaar afwisselend in te drukken en los te laten totdat de haak zich op 1 m van de kabelgeleider bevindt.

24. Stop met het opwikkelen van de kabel en bevestig de haak aan een geschikt opslagpunt op het voertuig.

25. Wikkel, zodra de haak op geschikte wijze aan het voertuig is bevestigd, de resterende kabellengte op door de bedieningsschakelaar op de afstandsbediening afwisselend in te drukken en los te laten tot er een minimale speling in de lierkabel overblijft.

MEDEDELING Trek de haak niet elektrisch in de kabelgeleider. Hierdoor kan de kabelgeleider beschadigd raken.

Takelen

Voor de volledige beginselen van het takelen leest u de Basishandleiding voor lier technieken, die u online kunt vinden op <https://www.warn.com/manuals/index.jsp>.

SLOTOPMERKINGEN EN ONDERHOUD

Controleren	Vóór het eerste gebruik	Na elk gebruik	Elke 90 dagen
Neem de tijd om de bedieningsinstructies, gebruiksaanwijzing en de basishandleiding voor liertechnieken te lezen, zodat u de lier en de bediening ervan begrijpt.	X		
Controleer of alle bevestigingsonderdelen met het juiste aanhaalmoment zijn vastgezet. Vervang beschadigde bevestigingsonderdelen.	X		X
Controleer of de bedrading naar alle onderdelen correct is en of deze stevig aan alle aansluitpunten is bevestigd.	X		X
Controleer of er geen blootliggende/kale bedrading of aansluitpunten aanwezig zijn en of de kabelisolatie niet is beschadigd (schuurplekken/inkepingen). Dek alle blootliggende bedrading af met klemhulzen. Repareer of vervang beschadigde elektriciteitskabel.	X		X
Inspecteer altijd de lierkabel, haak en stropen. Een gerafelde, geknikte of beschadigde lierkabel moet onmiddellijk vervangen worden. Beschadigde onderdelen moeten voor gebruik vervangen worden.	X	X	X
Houd de lier, de kabel en de bedieningsschakelaar vrij van stof en vuil. Verwijder vuil en stof met een schone doek of handdoek.		X	
Als de lier in water is ondergedompeld: Wikkel de lierkabel ongeveer 10 meter af en weer op. Volg de 'Lierkabel uittrekken'-procedure om de lier te drogen.	X	X	

Neem de tijd om vertrouwd te raken met de lier en de bediening ervan. Lees hiervoor de Basishandleiding voor liertechnieken, die u online kunt vinden op:

<https://www.warn.com/manuals/index.jsp>.

Neem voor meer informatie of vragen contact op met:

WARN INDUSTRIES, INC.

12900 S.E. Capps Road, Clackamas

OR USA 97015-8903, 1-503-722-1200,

Klantenservice: 1-800-543-9276

Lokalisatieservice dealers: 1-800-910-1122

Of ga naar **www.warn.com**.