



# INSTALLATION INSTRUCTIONS

## LED ROCK LIGHTS

### APPLICATION:

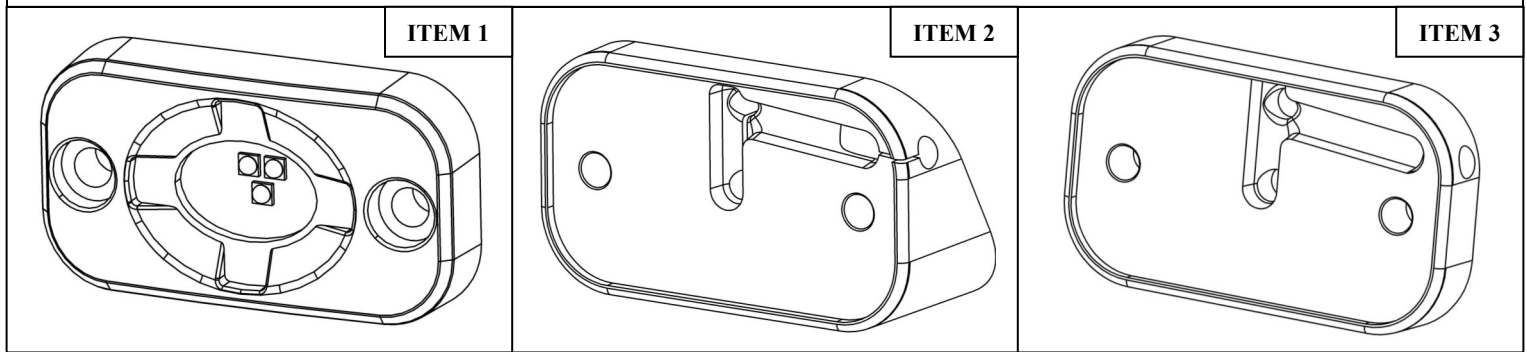
2007-2018 Jeep Wrangler JK 2 Door & 4 Door

### PART NUMBER:

09-80005 (Jeep Frame Mount) , 09-80015 (Jeep Bumper Mount and Universal Truck Frame Mounting)

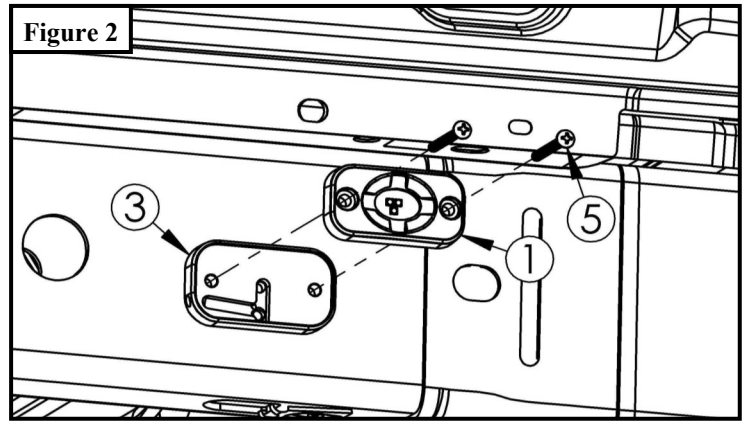
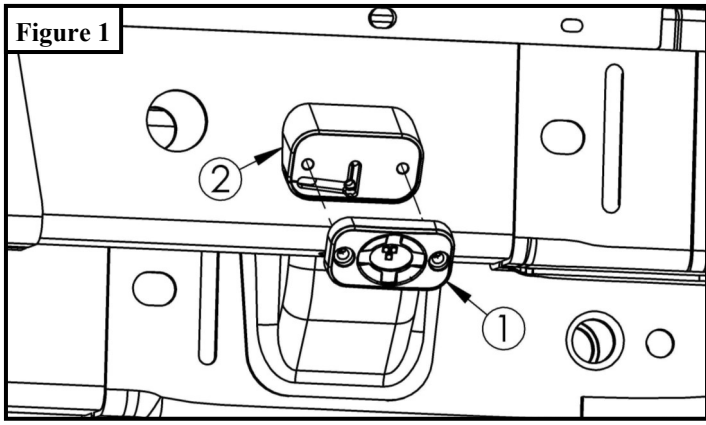
ITEM	QUANTITY	DESCRIPTION	TOOLS NEEDED
1	4	ROCK LIGHTS	DRILL MOTOR
2	4	RUBBER ANGLE MOUNT	10MM WRENCH
3	4	RUBBER FLAT MOUNT	SCREWDRIVER
4	1	LIGHT HARNESS	11/64" DRILL BIT
5	8	PHILLIPS PAN HEAD SCREW #10	TRANSFER PUNCH
6	1	M6 HEX NUT	
7	1	M6 FLAT WASHER	
8	10	ZIP TIES	

**ANTI-SEIZE LUBRICANT MUST BE USED ON ALL STAINLESS STEEL FASTENERS TO PREVENT THREAD DAMAGE AND GALLING**

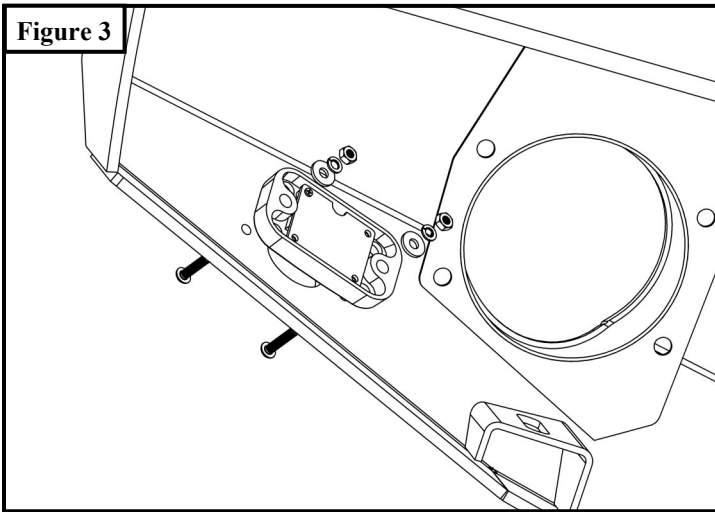


### PROCEDURE

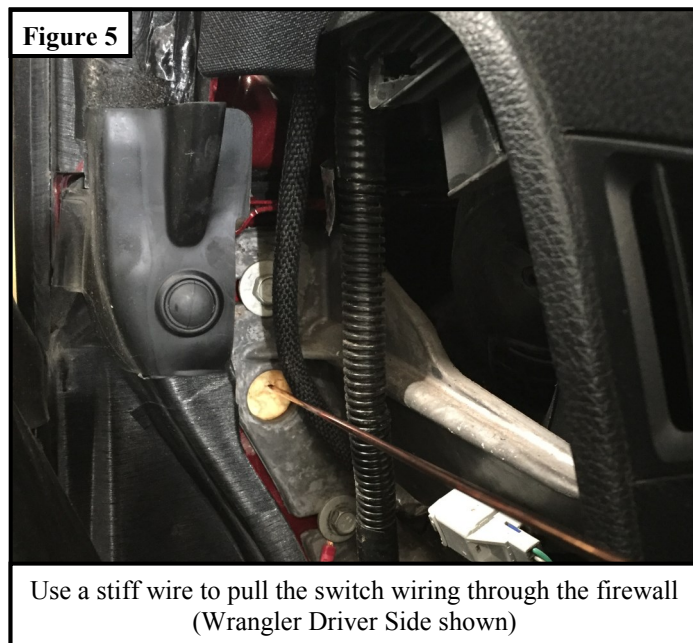
- Remove contents from box, verify if all parts listed are present and free from damage. Carefully read and understand all instructions before attempting installation.  
**Failure to identify damage before installation could lead to a rejection of any claim.**
- Note: The harness length for 09-80005 is designed to mount the lights on the middle portion of frame rails on Jeep Wrangler vehicles. The 09-80015 kit is intended to mount lights near the extreme corners of Jeep Wrangler vehicles such as in the bumpers. The 09-80015 kit may also be used for universal mounting on trucks and other vehicles.
- Frame Mounting:** Locate (1) Rock Light (Item 1) and (1) Angle or Flat Mount (Item 2 or 3) and assemble them. Align both items onto desired mounting location on the vehicle's frame. See **Figure 1**. Note: The rubber mounts have several wire passages that allow the wires to be routed as best suited for the desired location.
- Use a transfer punch to mark the proper hole locations then drill pilot holes with an 11/64" drill bit.
- Using (2) Phillips Pan Head Screws, screw them into the vehicle's frame to secure the rock light along with the angle or flat mount onto the vehicle. See **Figure 2**. **It is important to use thread lubricant to prevent the screws from galling.**
- Repeat **Steps 3 - 5** for the other (3) rock lights.



7. **Bumper Mounting**—Use the M4 hardware supplied with the Westin WJ2 bumper to mount the lights in the pre-existing holes in the bumper. When properly installed the lights should shine through the oval holes in the bumper. See **Figure 3**.



Use this stud on the firewall with the supplied M6 nut and washer to attach the relay and ground wire (Wrangler apps)



Use a stiff wire to pull the switch wiring through the firewall (Wrangler Driver Side shown)





## WARNING



Failure to follow these instructions could lead to death, personal injury, and / or property damage.

### FASTENERS:

All Westin supplied fasteners must be utilized and installed in accordance with the installation instructions and apply torque to the specifications as defined. **DOUBLE CHECK ALL FASTENERS BEFORE INITIAL USE, AND PERIODICALLY IN THE FUTURE TO ENSURE PROPER FUNCTION AND SAFETY.**

### DRILLING:

Most Westin products do not require drilling for installation. If drilling is defined as required, use caution when drilling a vehicle. **FAILURE TO REVIEW AN AREA TO BE DRILLED MAY RESULT IN PERSONAL INJURY AND/OR INJURY TO OTHERS AS WELL AS VEHICLE DAMAGE.**

### EYE PROTECTION:

**ALWAYS WEAR SAFETY GLASSES OR GOGGLES DURING THE INSTALLATION PROCESS TO AVOID PERSONAL INJURY.**

### MAXIMUM TOWING/CARRYING CAPACITY:

The Westin Receiver Hitches will have a visible tow rating label affixed directly on the product. User should never exceed the vehicle manufacturers maximum tow and weight rating regardless of the capacity of the hitch. **FAILURE TO FOLLOW THESE GUIDELINES WILL VOID THE WESTIN WARRANTY AND MAY RESULT IN PERSONAL INJURY AND/OR INJURY TO OTHERS AS WELL AS VEHICLE DAMAGE.**